

# Type ACBP4-PS Auto Reset Circuit Breaker Automotive Type I Mini Blade – Low Profile



www.optifuse.com

(619) 593-5050

### Specifications:

Mini Blade Automatic Reset Type Circuit Breaker - Low Profile

Voltage: 58VDC

Amperage: 5A, 7.5A, 10A, 15A, 20A, 25A, 30A

Materials: Thermoplastic – (UL Rated 94-V-0)

Terminals: Tin plated Copper Alloy

Testing Standard: SAE J553 Type I, IEC 60934

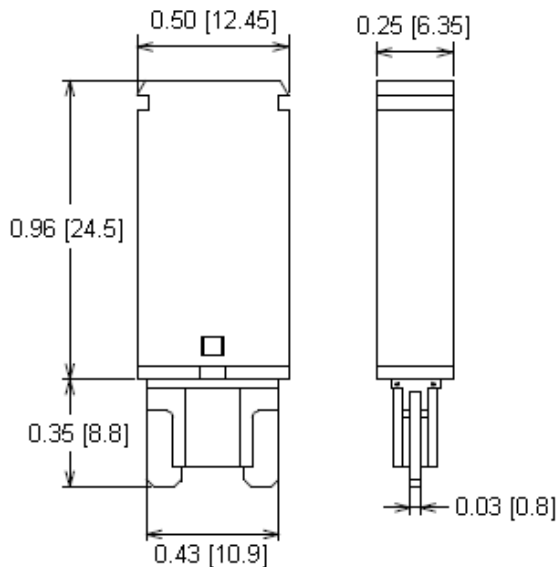
Cover is color coded to Amperage Ratings

Operating Temperature: -40° C ~ 85° C

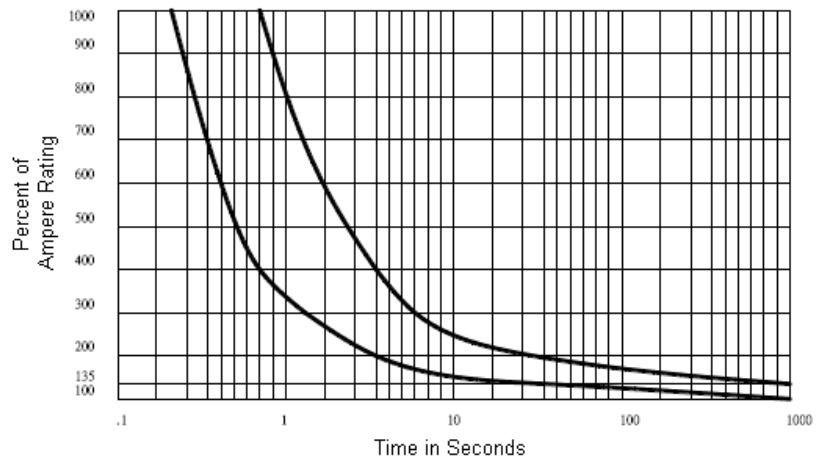
Part Number	Amperage	Body Color
ACBP4-PS-5A	5A	Tan
ACBP4-PS-7.5A	7.5A	Brown
ACBP4-PS-10A	10A	Red
ACBP4-PS-15A	15A	Blue
ACBP4-PS-20A	20A	Yellow
ACBP4-PS-25A	25A	White
ACBP4-PS-30A	30A	Green

Ampere Rated	Interrupt Rating
5A-10A version	100A @ 58 VDC
15A version	150A @ 58 VDC
20A version	200A @ 58 VDC
25A-30A version	300A @ 58 VDC

### Mechanical Dimensions: Inches [mm]



Part number: ACBP4-PS  
Time Current Curves



### Warning:



- Operation beyond the specified maximum ratings or improper use may result in damage and possible electrical arcing and/or flame.
- Device are intended for occasional overcurrent protection. Application for repeated overcurrent condition and/or prolonged trip are not anticipated.
- Avoid contact of device with chemical solvent. Prolonged contact will damage the device performance.
- Not intended for submersible water applications.

## **X-ON Electronics**

Largest Supplier of Electrical and Electronic Components

*Click to view similar products for [Optifuse manufacturer](#):*

Other Similar products are found below :

[FSC-3.5A](#) [TSA-250MA](#) [BLR-304](#) [BLR-504](#) [BLC-05-GTA](#) [BLR-I-504](#) [BLM-304](#) [CBW57-EL4-10A](#) [FPK-10A](#) [FPK-1A](#) [FPK-30A](#) [LPM-08](#)  
[LPX-23B-08R-LOOP](#) [FPK-12A](#) [FPK-15A](#) [FPK-20A](#) [FPK-25A](#) [FPK-2A](#) [FPK-3A](#) [FPK-4A](#) [FPK-5A](#) [FPK-6A](#) [FPK-7A](#) [FPK-8A](#) [FPK-R-](#)  
[1.5A](#) [FPK-R-10A](#) [FPK-R-15A](#) [FPK-R-1A](#) [FPK-R-20A](#) [FPK-R-25A](#) [FPK-R-2A](#) [FPK-R-30A](#) [FPK-R-3A](#) [FPK-R-4A](#) [FPK-R-5A](#) [FPK-R-6A](#)  
[FPK-R-8A](#) [LPM-01B-12R](#) [ACB-12-V-50A](#) [LPR-13C-10R](#) [ACBP4-PM-5A](#) [BLR-306](#) [ACB-12-V-30A](#) [CBW57-EL4-5A](#) [CBW57-ES-5A](#)  
[CBW57-PB-10A-5X](#) [CBW57-PS-10A-5X](#) [CBW57-PS-3A-1X](#) [CBW28-1A](#) [FCD-4A](#)