

Type ANM58 Automotive Blade Fuse Miniature



www.optifuse.com (619) 593-5050

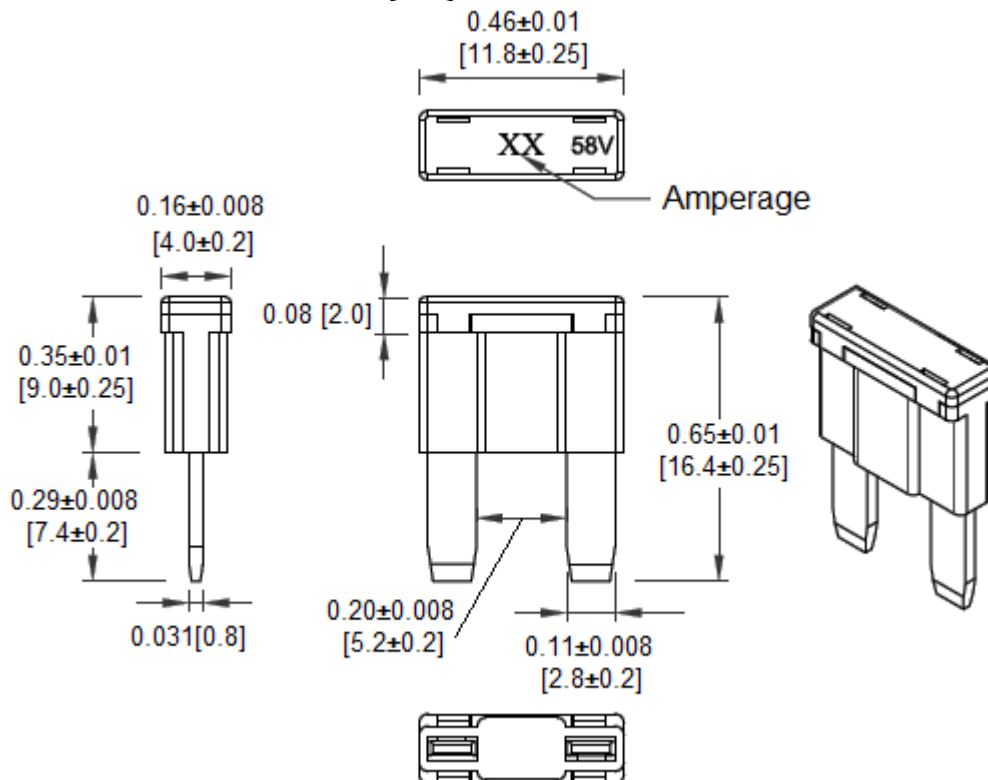
Specifications:

- Voltage: 58VDC
- Amperage: 500mA, 1A, 2A, 3A, 4A, 5A, 7.5A, 10A, 15A, 20A, 25A, 30A
- Body: Nylon with 25% Fiberglass
- Cover: Nylon with 25% Fiberglass, Blue
- Terminals: Copper alloy, Tin plated
- Interrupt Rating – 1000A @ 58 VDC

Part Number	Amperage	Body Color
ANM58-500mA	500mA	Dark Blue
ANM58-1A	1A	Black
ANM58-2A	2A	Gray
ANM58-3A	3A	Violet
ANM58-4A	4A	Pink
ANM58-5A	5A	Tan
ANM58-7.5A	7.5A	Brown
ANM58-10A	10A	Red
ANM58-15A	15A	Blue
ANM58-20A	20A	Yellow
ANM58-25A	25A	Clear
ANM58-30A	30A	Green

Time Characteristics:		
% of Rated Current	Min Hold Time	Max Hold Time
110%	100h	~
135%	750ms	1800s
200%	150ms	3s
350%	40ms	500ms
600%	20ms	100ms

Mechanical Dimensions: Inches [mm]



	<p>Warning:</p> <p>-Operation beyond the specified maximum ratings or improper use may result in damage and possible electrical arcing and/or flame.</p>
	<p>-Avoid contact of device with chemical solvent. Prolonged contact will damage the device performance.</p>

Note: All specifications subject to change without notice.

Rev C 02/2020 - Page: 1/1
Code G02

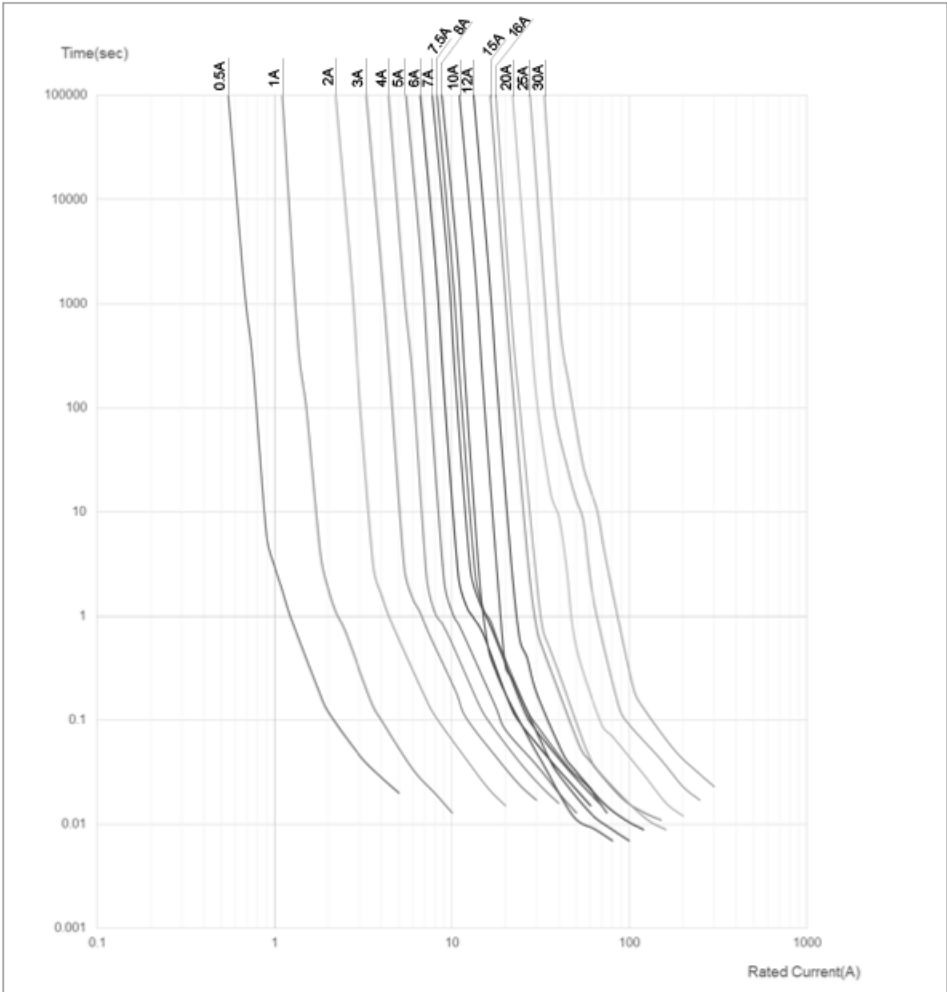
**Type ANM58
Automotive Blade Fuse
Miniature**



www.optifuse.com (619) 593-5050

**ANM58
Time Current Curve**

**ANM58
Time Current Curve**



Note: All specifications subject to change without notice.

X-ON Electronics

Largest Supplier of Electrical and Electronic Components

Click to view similar products for [Optifuse manufacturer](#):

Other Similar products are found below :

[FSC-3.5A](#) [TSA-250MA](#) [BLR-304](#) [BLR-504](#) [BLC-05-GTA](#) [BLR-I-504](#) [BLM-304](#) [CBW57-EL4-10A](#) [FPK-10A](#) [FPK-1A](#) [FPK-30A](#) [LPM-08](#)
[LPX-23B-08R-LOOP](#) [FPK-12A](#) [FPK-15A](#) [FPK-20A](#) [FPK-25A](#) [FPK-2A](#) [FPK-3A](#) [FPK-4A](#) [FPK-5A](#) [FPK-6A](#) [FPK-7A](#) [FPK-8A](#) [FPK-R-](#)
[1.5A](#) [FPK-R-10A](#) [FPK-R-15A](#) [FPK-R-1A](#) [FPK-R-20A](#) [FPK-R-25A](#) [FPK-R-2A](#) [FPK-R-30A](#) [FPK-R-3A](#) [FPK-R-4A](#) [FPK-R-5A](#) [FPK-R-6A](#)
[FPK-R-8A](#) [PMG-KB-01-Q2S](#) [LPM-01B-12R](#) [ACB-12-V-50A](#) [LPR-13C-10R](#) [ACBP4-PM-5A](#) [BLR-306](#) [ACB-12-V-30A](#) [CBW57-EL4-5A](#)
[CBW57-ES-5A](#) [CBW57-PB-10A-5X](#) [CBW57-PS-10A-5X](#) [CBW57-PS-3A-1X](#) [CBW28-1A](#)