

# Type ANM-W Automotive Blade Fuse Miniature with Lead Wire



www.optifuse.com (619) 593-5050

### Specifications:

- Voltage: 32VDC
- Amperage: 10A, 15A, 20A
- Body: PA 66
- Wire: 16 or 18 AWG Red Wire
- Terminals: Zinc alloy
- Designed to meet SAE and ISO 8820 Standards.
- Interrupt Rating – 1000A @ 32 VDC

### Part Number:

**ANM-W-XXA-YYZ**

Where **XX** = Amperage (10, 15, 20)

**YY** = Wire Gauge (16, 18 AWG)

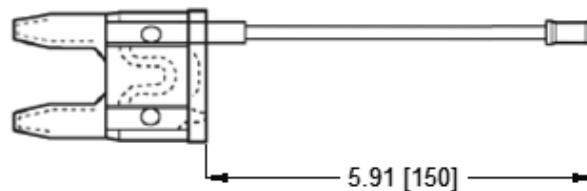
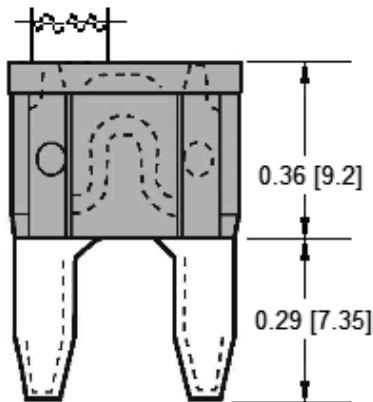
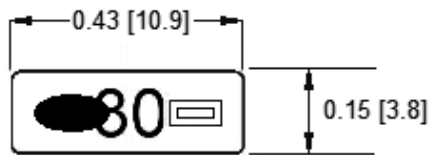
**Z** = Wire Color (Standard: **R**= Red)

Other colors available – special order

Time Characteristics:		
% of Rated Current	Min Hold Time	Max Hold Time
110%	100h	~
135%	~	1800s
200%	~	5s

Part Number	Amperage	Body Color	Wire Gauge	Max. Extended Circuit
ANM-W-10A-16R	10A	Red	16 AWG	10A
ANM-W-15A-16R	15A	Blue	16 AWG	10A
ANM-W-20A-16R	20A	Yellow	16 AWG	10A
ANM-W-10A-18R	10A	Red	18 AWG	5A
ANM-W-15A-18R	15A	Blue	18 AWG	5A
ANM-W-20A-18R	20A	Yellow	18 AWG	5A

### Mechanical Dimensions: Inches [mm]



	<b>Warning:</b> -Operation beyond the specified maximum ratings or improper use may result in damage and possible electrical arcing and/or flame.
	-Avoid contact of device with chemical solvent. Prolonged contact will damage the device performance.

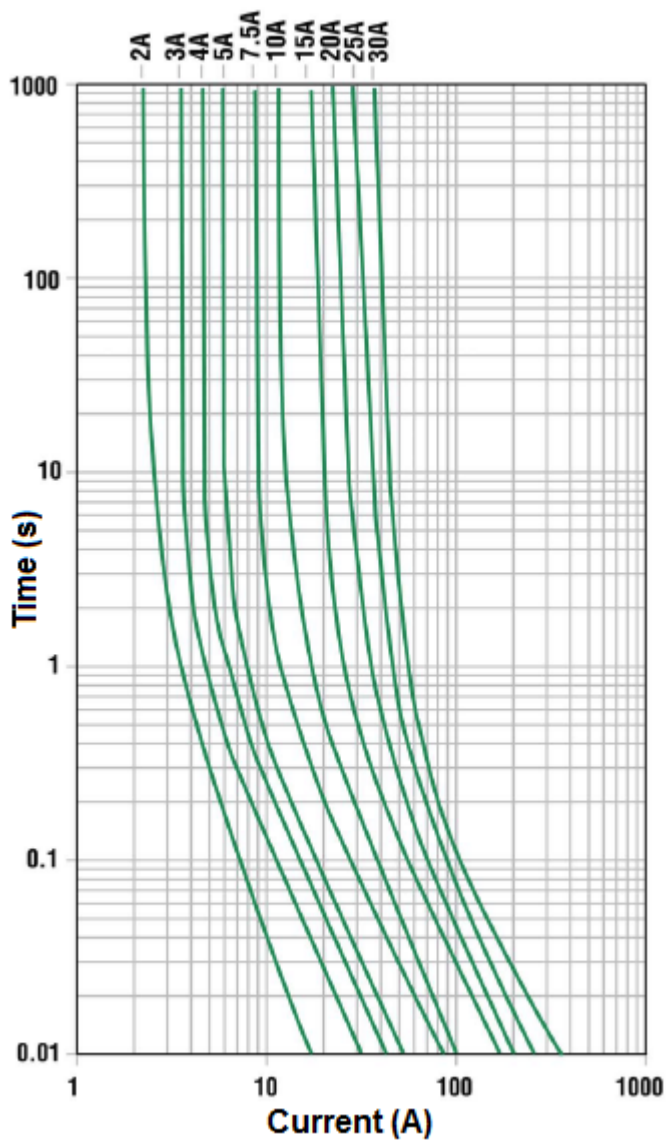
Note: All specifications subject to change without notice.

**Type ANM-W  
Automotive Blade Fuse  
Miniature with Lead Wire**



www.optifuse.com (619) 593-5050

**Time Current Curve**



Note: All specifications subject to change without notice.

Rev A 06/2015 - Page: 2/2  
Code H02-01H

## **X-ON Electronics**

Largest Supplier of Electrical and Electronic Components

*Click to view similar products for [Optifuse manufacturer](#):*

Other Similar products are found below :

[FSC-3.5A](#) [TSA-250MA](#) [BLR-304](#) [BLR-504](#) [BLC-05-GTA](#) [BLR-I-504](#) [BLM-304](#) [CBW57-EL4-10A](#) [FPK-10A](#) [FPK-1A](#) [FPK-30A](#) [LPM-08](#)  
[LPX-23B-08R-LOOP](#) [FPK-12A](#) [FPK-15A](#) [FPK-20A](#) [FPK-25A](#) [FPK-2A](#) [FPK-3A](#) [FPK-4A](#) [FPK-5A](#) [FPK-6A](#) [FPK-7A](#) [FPK-8A](#) [FPK-R-](#)  
[1.5A](#) [FPK-R-10A](#) [FPK-R-15A](#) [FPK-R-1A](#) [FPK-R-20A](#) [FPK-R-25A](#) [FPK-R-2A](#) [FPK-R-30A](#) [FPK-R-3A](#) [FPK-R-4A](#) [FPK-R-5A](#) [FPK-R-6A](#)  
[FPK-R-8A](#) [LPM-01B-12R](#) [ACB-12-V-50A](#) [LPR-13C-10R](#) [ACBP4-PM-5A](#) [BLR-306](#) [ACB-12-V-30A](#) [CBW57-EL4-5A](#) [CBW57-ES-5A](#)  
[CBW57-PB-10A-5X](#) [CBW57-PS-10A-5X](#) [CBW57-PS-3A-1X](#) [CBW28-1A](#) [FCD-4A](#)