

Type ANS-I Automotive Blade Fuse Low Profile Miniature – LED Indicating



www.optifuse.com (619) 593-5050

Specifications:

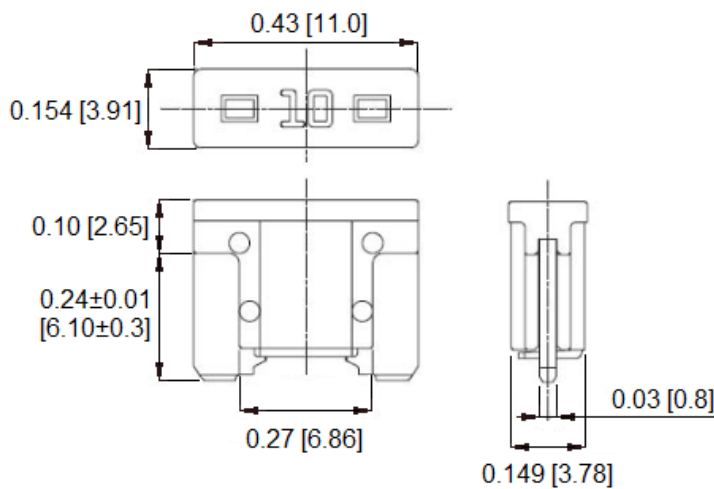
- Voltage: 32V DC
- Amperage: 3A, 4A, 5A, 7.5A, 10A, 15A, 20A, 25A, 30A
- Body: PA 66
- Indicating LED when fuse is opened
- Terminals: Zinc alloy
- Designed to meet SAE and ISO 8820 Standards.
- Interrupt Rating – 1000A @ 32 VDC

Part Number	Amperage	Body Color
ANS-I-3A	3A	Violet
ANS-I-4A	4A	Pink
ANS-I-5A	5A	Tan
ANS -I-7.5A	7.5A	Brown
ANS -I-10A	10A	Red
ANS -I-15A	15A	Blue
ANS -I-20A	20A	Yellow
ANS -I-25A	25A	Clear
ANS -I-30A	30A	Green

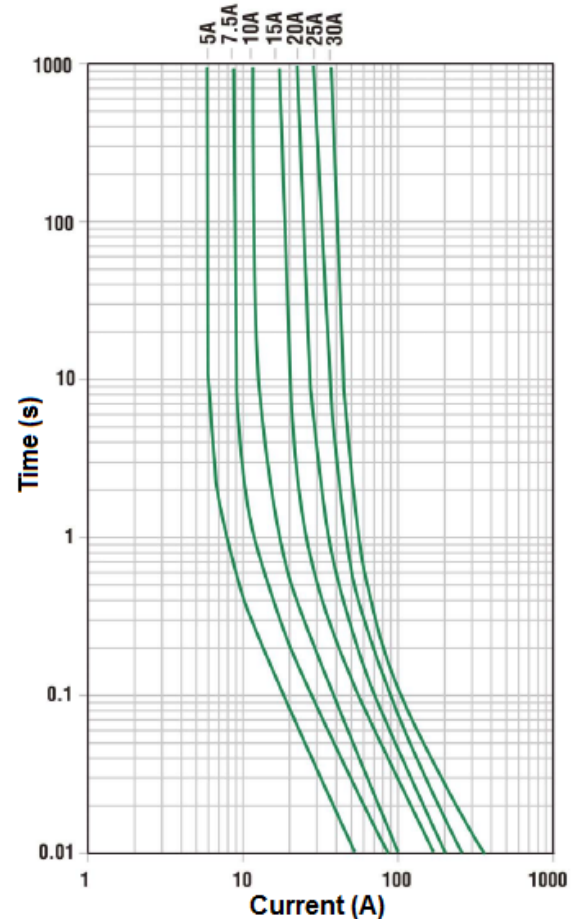
Time Characteristics:

% of Rated Current	% of Rated Current	% of Rated Current
110%	110%	110%
135%	135%	135%
200%	200%	200%

Mechanical Dimensions: Inches [mm]



Time Characteristics



Warning:



- Operation beyond the specified maximum ratings or improper use may result in damage and possible electrical arcing and/or flame.
- Avoid contact of device with chemical solvent. Prolonged contact will damage the device performance.

Note: All specifications subject to change without notice.

Rev A 06/2018 - Page: 1/1
Code H02-01H

X-ON Electronics

Largest Supplier of Electrical and Electronic Components

Click to view similar products for [Optifuse manufacturer](#):

Other Similar products are found below :

[FSC-3.5A](#) [TSA-250MA](#) [BLR-304](#) [BLR-504](#) [BLC-05-GTA](#) [BLR-I-504](#) [BLM-304](#) [CBW57-EL4-10A](#) [FPK-10A](#) [FPK-1A](#) [FPK-30A](#) [LPM-08](#)
[LPX-23B-08R-LOOP](#) [FPK-12A](#) [FPK-15A](#) [FPK-20A](#) [FPK-25A](#) [FPK-2A](#) [FPK-3A](#) [FPK-4A](#) [FPK-5A](#) [FPK-6A](#) [FPK-7A](#) [FPK-8A](#) [FPK-R-](#)
[1.5A](#) [FPK-R-10A](#) [FPK-R-15A](#) [FPK-R-1A](#) [FPK-R-20A](#) [FPK-R-25A](#) [FPK-R-2A](#) [FPK-R-30A](#) [FPK-R-3A](#) [FPK-R-4A](#) [FPK-R-5A](#) [FPK-R-6A](#)
[FPK-R-8A](#) [PMG-KB-01-Q2S](#) [LPM-01B-12R](#) [ACB-12-V-50A](#) [LPR-13C-10R](#) [ACBP4-PM-5A](#) [BLR-306](#) [ACB-12-V-30A](#) [CBW57-EL4-5A](#)
[CBW57-ES-5A](#) [CBW57-PB-10A-5X](#) [CBW57-PS-10A-5X](#) [CBW57-PS-3A-1X](#) [CBW28-1A](#)