

Type APR Automotive Blade Fuse Standard



www.optifuse.com (619) 593-5050

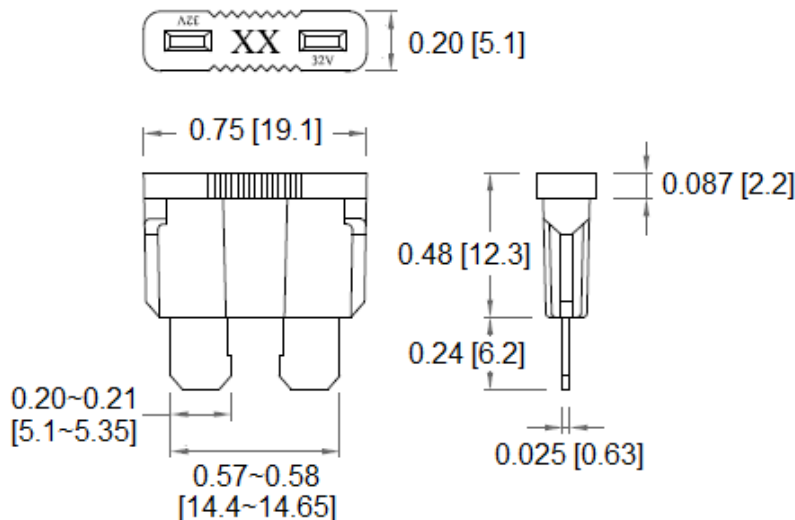
Specifications:

- Voltage: 32V DC
- Amperage: 1A, 2A, 3A, 4A, 5A, 7.5A, 10A, 12A, 15A, 20A, 25A, 30A, 35A, 40A
- Designed to meet SAE J1284 and ISO 8820-3 Standards (except APR-12A – a new Amperage)
- Body: Polycarbonate
- Terminals: Zinc alloy
- Interrupt Rating – 1000A @ 32 VDC

Part Number	Amperage	Body Color
APR-1A	1A	Black
APR-2A	2A	Gray
APR-3A	3A	Violet
APR-4A	4A	Pink
APR-5A	5A	Tan
APR-7.5A	7.5A	Brown
APR-10A	10A	Red
APR-12A	12A	Light Pink
APR-15A	15A	Blue
APR-20A	20A	Yellow
APR-25A	25A	Clear
APR-30A	30A	Green
APR-35A	35A	Blue Green
APR-40A	40A	Orange

Time Characteristics:		
% of Rated Current	Min Hold Time	Max Hold Time
110%	100h	
135%	750ms	1800s
200%	150ms	5s
350%	40ms	500 ms
600%	20ms	100ms

Mechanical Dimensions: Inches [mm]



Warning:



- Operation beyond the specified maximum ratings or improper use may result in damage and possible electrical arcing and/or flame.
- Avoid contact of device with chemical solvent. Prolonged contact will damage the device performance.

Note: All specifications subject to change without notice.

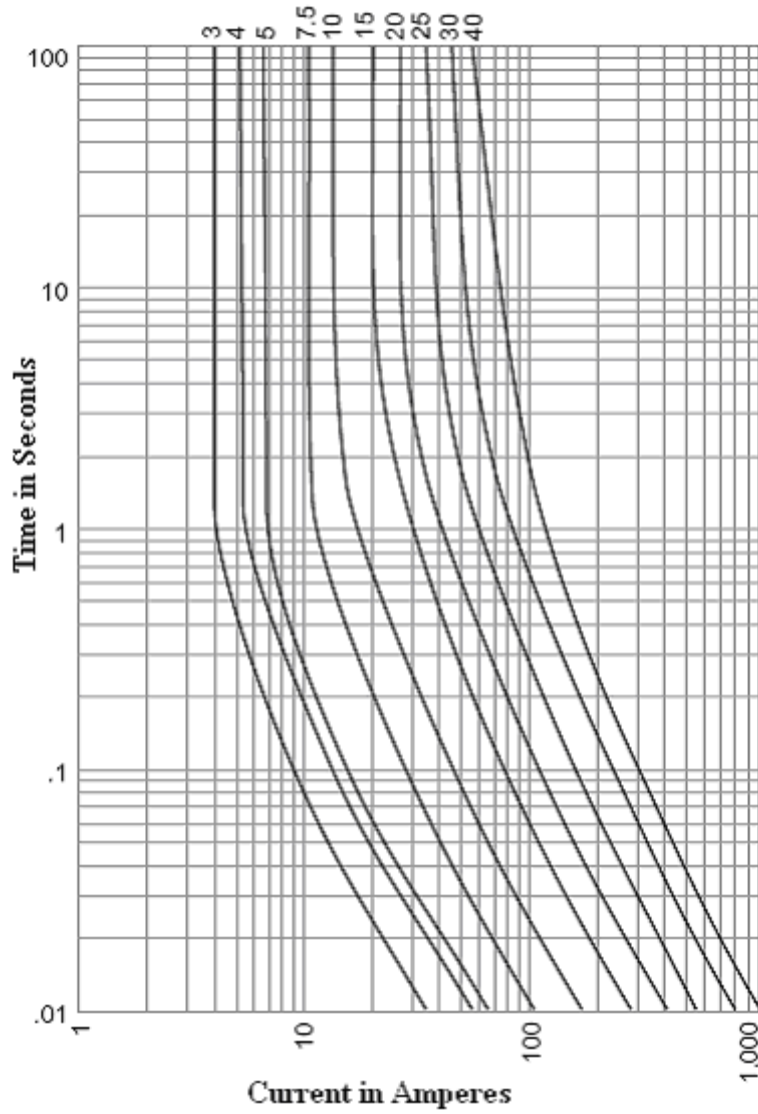
Type APR Automotive Blade Fuse Standard



www.optifuse.com

(619) 593-5050

Time Current Curve Graph



X-ON Electronics

Largest Supplier of Electrical and Electronic Components

Click to view similar products for [Optifuse manufacturer](#):

Other Similar products are found below :

[FSC-3.5A](#) [TPK-10A](#) [TSA-250MA](#) [BLR-304](#) [BLR-504](#) [BLC-05-GTA](#) [BLR-I-504](#) [BLM-304](#) [CBW57-EL4-10A](#) [FPK-10A](#) [FPK-1A](#) [FPK-30A](#) [LPM-08](#) [LPX-23B-08R-LOOP](#) [FPK-12A](#) [FPK-15A](#) [FPK-20A](#) [FPK-25A](#) [FPK-2A](#) [FPK-3A](#) [FPK-4A](#) [FPK-5A](#) [FPK-6A](#) [FPK-7A](#) [FPK-8A](#) [FPK-R-1.5A](#) [FPK-R-10A](#) [FPK-R-15A](#) [FPK-R-1A](#) [FPK-R-20A](#) [FPK-R-25A](#) [FPK-R-2A](#) [FPK-R-30A](#) [FPK-R-3A](#) [FPK-R-4A](#) [FPK-R-5A](#) [FPK-R-6A](#) [FPK-R-8A](#) [LPM-01B-12R](#) [ACB-12-V-50A](#) [LPR-13C-10R](#) [ACBP4-PM-5A](#) [BLR-306](#) [ACB-12-V-30A](#) [CBW57-EL4-5A](#) [CBW57-ES-5A](#) [CBW57-PB-10A-5X](#) [CBW57-PS-10A-5X](#) [CBW57-PS-3A-1X](#) [CBW28-1A](#)