

Type APR Automotive Blade Fuse Standard



www.optifuse.com (619) 593-5050

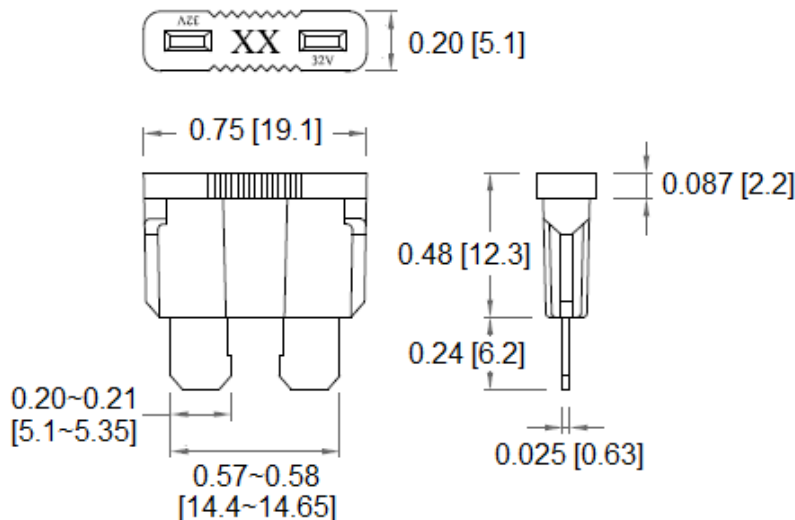
Specifications:

- Voltage: 32V DC
- Amperage: 1A, 2A, 3A, 4A, 5A, 7.5A, 10A, 12A, 15A, 20A, 25A, 30A, 35A, 40A
- Designed to meet SAE J1284 and ISO 8820-3 Standards (except APR-12A – a new Amperage)
- Body: Polycarbonate
- Terminals: Zinc alloy
- Interrupt Rating – 1000A @ 32 VDC

Part Number	Amperage	Body Color
APR-1A	1A	Black
APR-2A	2A	Gray
APR-3A	3A	Violet
APR-4A	4A	Pink
APR-5A	5A	Tan
APR-7.5A	7.5A	Brown
APR-10A	10A	Red
APR-12A	12A	Light Pink
APR-15A	15A	Blue
APR-20A	20A	Yellow
APR-25A	25A	Clear
APR-30A	30A	Green
APR-35A	35A	Blue Green
APR-40A	40A	Orange

Time Characteristics:		
% of Rated Current	Min Hold Time	Max Hold Time
110%	100h	
135%	750ms	1800s
200%	150ms	5s
350%	40ms	500 ms
600%	20ms	100ms

Mechanical Dimensions: Inches [mm]



Warning:



-Operation beyond the specified maximum ratings or improper use may result in damage and possible electrical arcing and/or flame.

-Avoid contact of device with chemical solvent. Prolonged contact will damage the device performance.

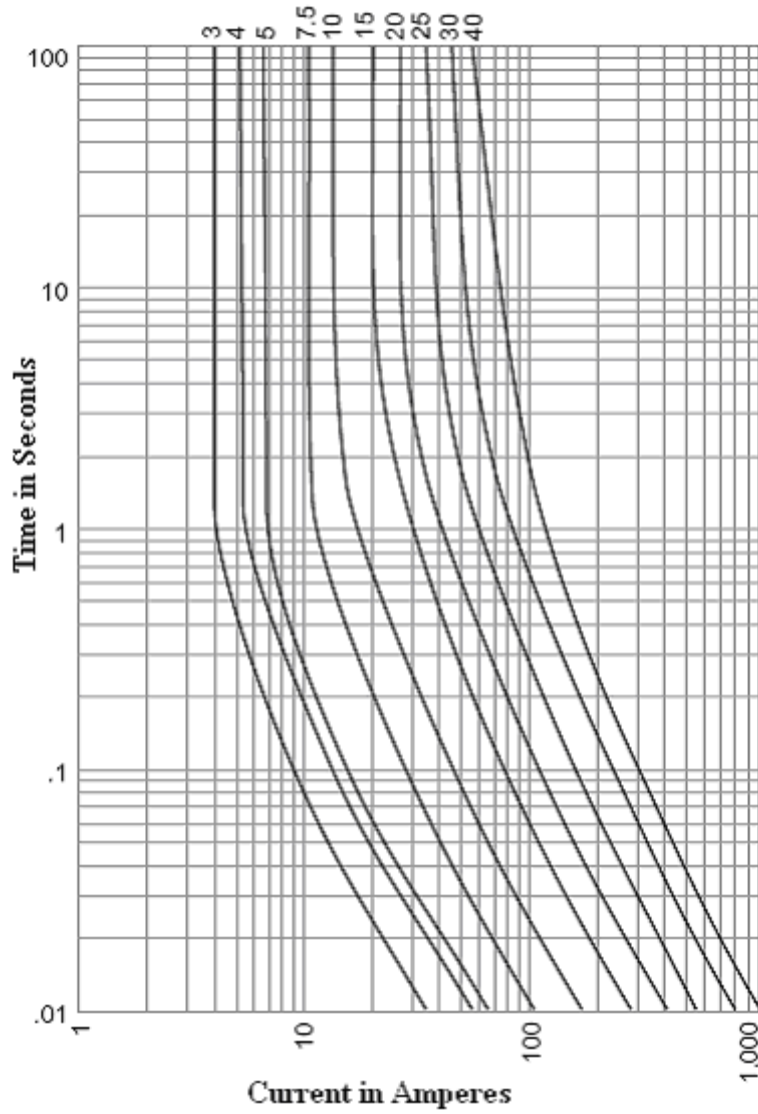
Type APR Automotive Blade Fuse Standard



www.optifuse.com

(619) 593-5050

Time Current Curve Graph



X-ON Electronics

Largest Supplier of Electrical and Electronic Components

Click to view similar products for [Optifuse](#) manufacturer:

Other Similar products are found below :

[ACB-12-V-30A](#) [ACB-12-V-50A](#) [ACBP4-PM-5A](#) [ANM-2A](#) [ANM-3A](#) [ANM58-1A](#) [ANR58-UL-10A](#) [ANR58-UL-20A](#) [ANR58-UL-2A](#)
[ANR58-UL-30A](#) [ANR58-UL-3A](#) [ANR58-UL-5A](#) [ANR80-UL-40A](#) [ANR80-UL-5A](#) [APM-35A](#) [APM-5A](#) [APR-10A](#) [APR-1A](#) [APR-20A](#)
[APR-25A](#) [APR-2A](#) [APR-30A](#) [APR-3A](#) [APR-4A](#) [APR58-UL-10A](#) [APR58-UL-15A](#) [APR58-UL-1A](#) [APR58-UL-30A](#) [APR58-UL-40A](#) [APR-](#)
[7.5A](#) [APX-100A](#) [BLC-05-GTA](#) [BLC-09-GT](#) [BLC-20A](#) [BLC-20C](#) [BLM-304](#) [BLR-304](#) [BLR-306](#) [BLR-504](#) [BLR-I-301](#) [BLR-I-504](#)
[CBW28-1A](#) [CBW28-2A](#) [CBW57-EL4-10A](#) [CBW57-EL4-5A](#) [CBW57-ES-10A-5H](#) [CBW57-ES-3A](#) [CBW57-ES-5A](#) [CBW57-HS-15A-5X](#)
[CBW57-PB-10A-5X](#)