

Type BLC-108-G

Fuse Block

8 Pole – Regular Auto Blade Type

With 12 Position Grounding Block



www.optifuse.com

(619) 593-5050

Specifications:

Max Current Rating: 25A per Circuit - 150A Max Input

Max Voltage: 32VDC

Fuse Type: Regular Auto Blade (APR series),

Regular Automotive Circuit Breakers (ACBP4-PL and MRCBP4-PL series)

Base: Polycarbonate

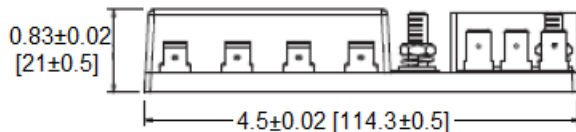
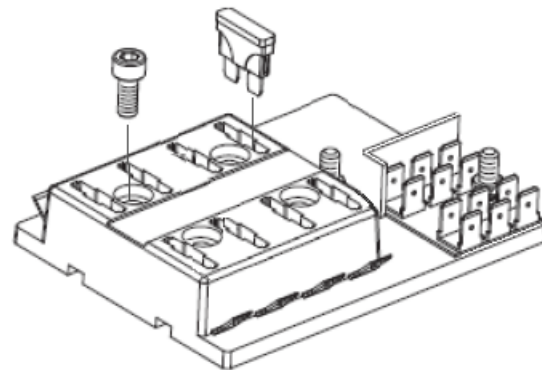
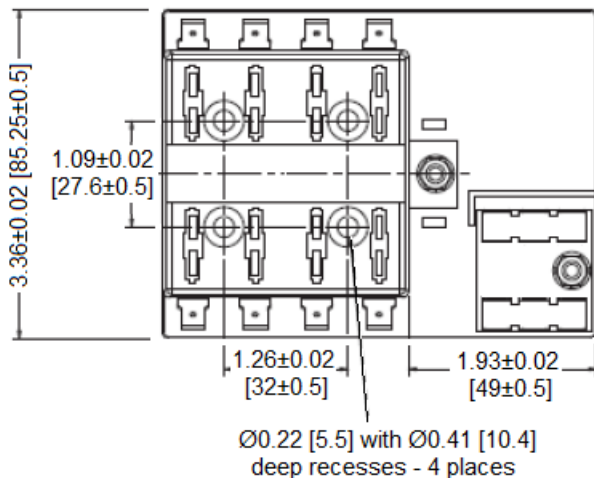
Load-side Connection: 0.250" Quick Connect Terminals - Copper, Tin plated

Line-side Connection: #10-32 stud terminal with hex nut, flat washer, lockwasher (hardware provided)

Mounting: 5.5mm diameter mounting holes for #10 screws (not provided)

Optional Cover available

Mechanical Dimensions: Inches [mm]



Warning:



-Operation beyond the specified maximum ratings or improper use may result in damage and possible electrical arcing and/or flame.

-Avoid contact of device with chemical solvent. Prolonged contact may damage the device performance.

X-ON Electronics

Largest Supplier of Electrical and Electronic Components

Click to view similar products for [Fuse Holder](#) category:

Click to view products by [Optifuse](#) manufacturer:

Other Similar products are found below :

[570-290-741P40](#) [570-290-751P40](#) [020417G](#) [020418E](#) [6R30A1B](#) [F600A3B](#) [80910030](#) [8601.2020](#) [G15A2SPQ](#) [9-3557-GP REV A](#) [HDJ-B](#)
[R6J30A3S](#) [HFH-1](#) [RF30A1S](#) [RF30A2B](#) [RF30A3SP](#) [15600-08-10](#) [BK/FHN19G](#) [BK/HHM](#) [BK/HKP-CCHH](#) [BK/HKP-JJ](#) [BK/HTJ-LES-](#)
[FUSE](#) [HMG-241](#) [HTJ-LES-FUSE](#) [C4044-1](#) [2086-1](#) [2193](#) [2602](#) [2650](#) [178.000100](#) [FHN31G1](#) [T30A2B](#) [G4PB8](#) [2660](#) [2799](#) [CQ-209V](#) [HKP-](#)
[CCHH](#) [R6F30A2S](#) [341001A](#) [345621A](#) [CVRMCC](#) [4202](#) [4407](#) [4408](#) [4413](#) [4423](#) [4532](#) [4537](#) [TSD1404-12](#) [BK/FHN31G1](#)