

Type FMR

Fast Acting Micro Fuse

Radial Leaded – Long Leaded

Designed to Meet UL Specification



www.optifuse.com

(619) 593-5050

Agency Standards and Listings:



Voltage: 250V

Material

Body: Thermoplastic UL94V0

Pin: Copper Alloy, Tin plated

Element: Silver Alloy

Interrupt Ratings: 50A @ 250 VAC

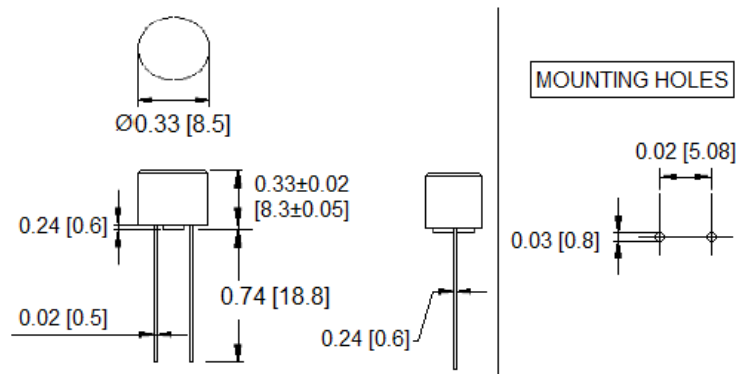
Electrical Characteristics:

Rated Current	1.0 In	2.0 In
50mA~10A	Carry	10 sec Max

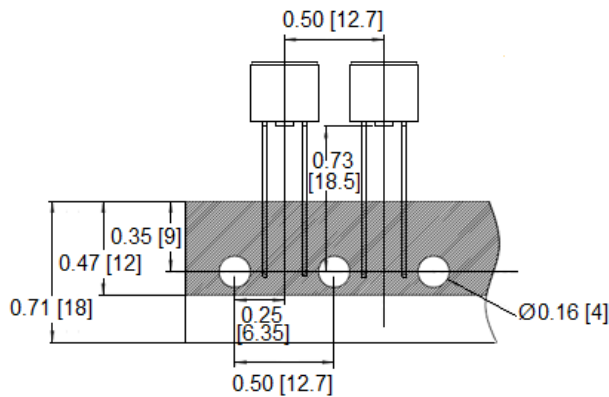
FMR-xxA for Loose Fuses, Bulk, in a bag

FMR-xxA-T for Taped Fuses, in a box

Mechanical Dimensions: Inches [mm]



Measurements if on Tape



Cartridge Catalog Number	Ampere Rating	Voltage Rating	I ² T
FMR-50mA	50mA	250VAC	0.0001
FMR-60mA	60mA		0.00017
FMR-63mA	63mA		0.00023
FMR-80mA	80mA		0.00037
FMR-100mA	100mA		0.0013
FMR-125mA	125mA		0.0019
FMR-160mA	160mA		0.004
FMR-200mA	200mA		0.0065
FMR-250mA	250mA		0.014
FMR-300mA	300mA		0.028
FMR-315mA	315mA		0.032
FMR-400mA	400mA		0.016
FMR-500mA	500mA		0.024
FMR-600mA	600mA		0.032
FMR-630mA	630mA		0.039
FMR-700mA	700mA		0.045
FMR-800mA	800mA		0.069
FMR-1A	1A		0.11
FMR-1.25A	1.25A		0.2
FMR-1.5A	1.5A		0.32
FMR-1.6A	1.6A	0.38	
FMR-2A	2A	0.63	
FMR-2.5A	2.5A	1.2	
FMR-3A	3A	1.7	
FMR-3.15A	3.15A	1.9	
FMR-3.5A	3.5A	2.7	
FMR-4A	4A	3.5	
FMR-5A	5A	6.2	
FMR-6.3A	6.3A	9.1	
FMR-7A	7A	21	
FMR-8A	8A	26	
FMR-10A	10A	49	

Warning:



-Operation beyond the specified maximum ratings or improper use may result in damage and possible electrical arcing and/or flame.
 -Micro Fuse device are intended for occasional overcurrent protection. Application for repeated overcurrent condition and/or prolonged trip are not anticipated.
 -Avoid contact of Micro Fuse device with chemical solvent. Prolonged contact will damage the device performance.

X-ON Electronics

Largest Supplier of Electrical and Electronic Components

Click to view similar products for [Fuses with Leads - Through Hole](#) category:

Click to view products by [Optifuse](#) manufacturer:

Other Similar products are found below :

[89096-013](#) [89096-015](#) [A170100400](#) [252010](#) [25202.5](#) [252.062](#) [263.500](#) [265.750](#) [272.005](#) [273.600V](#) [274.250](#) [SR-5H-5A-BK](#) [SS-5-800MA-AP](#) [SS-5F-3.15A-AP](#) [252004](#) [263.750](#) [273.005](#) [3701630000](#) [LKB-3](#) [0473004.MAT1L](#) [0473.750HAT1L](#) [0473001.HAT1L](#) [0473002.HAT1L](#) [0473.500HAT1L](#) [SS-5-1.6A-AP](#) [SS-5F-2.5A-AP](#) [SS-5-6.3A-BK](#) [SR-5H-4A-AP](#) [RST 5-AMMO](#) [SR-5H-3.15A-BK](#) [89096-005](#) [SR-5F-1-6A-BK](#) [SS-5FH-3.15A-AP](#) [SS-5-630MA-AP](#) [047301.5HAT1L](#) [SS-5H-1-25A-APH](#) [SR-5H-800MA-APH](#) [0034.722](#) [34.732](#) [MSF 4A 250V](#) [22D03-200](#) [0263004.HAT1L](#) [0263.750HAT1L](#) [0473003.MXL](#) [0697-0100-01](#) [0697-0315-01](#) [0697A2000-01](#) [0697A2500-01](#) [0697A3150-01](#) [0697A6300-01](#)