

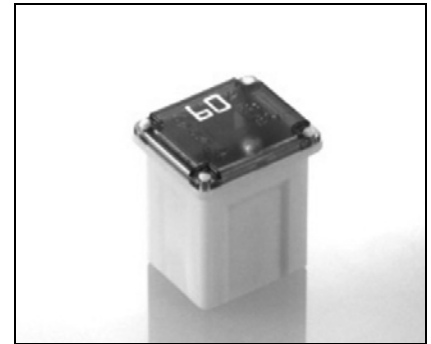
Type FMX-LP Automotive Fuse Link Low Profile “JCASE[®]” Style



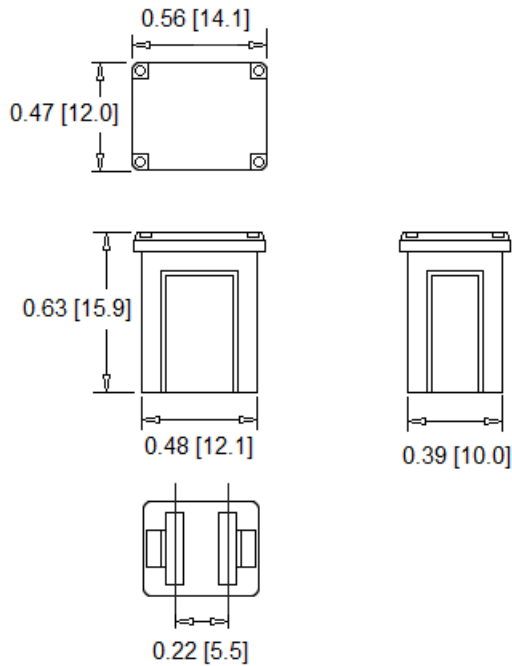
www.optifuse.com (619) 593-5050

Specifications:

- Voltage:** 58 VDC
- Amperage:** 20A, 25A, 30A, 40A, 50A, 60A
- Interrupting Rating:** 1,000A @ 58VDC
- Operating Temperature:** -40°C to +125°C



Mechanical Dimensions: Inches [mm]



Part Number	Ampere Rating	Housing Color
FMX-LP-20A	20A	Light-Blue
FMX-LP-25A	25A	White
FMX-LP-30A	30A	Pink
FMX-LP-40A	40A	Green
FMX-LP-50A	50A	Red
FMX-LP-60A	60A	Yellow

Time Characteristics		
% of rated current	Min hold time	Max hold time
110%	100h	
135%	60s	1800s
200%	5s	60s
350%	200ms	7s
600%	40ms	1s

Warning:



-Operation beyond the specified maximum ratings or improper use may result in damage and possible electrical arcing and/or flame.

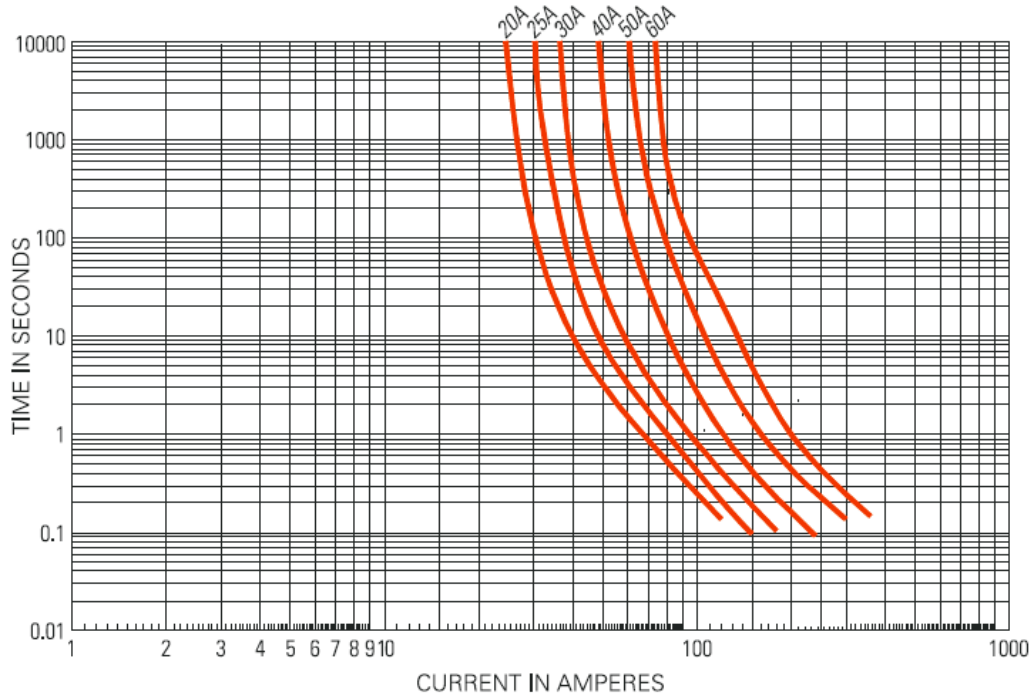
-Avoid contact of device with chemical solvent. Prolonged contact will damage the device performance.

**Type FMX-LP
Automotive Fuse Link
Low Profile “JCASE[®]” Style**

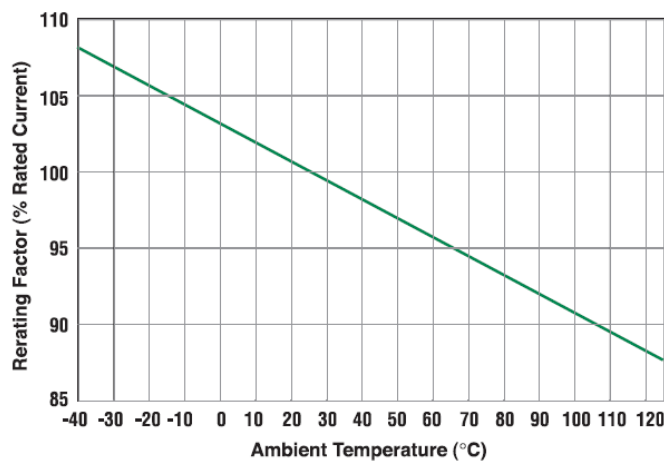


www.optifuse.com (619) 593-5050

Time Current Curve Graph



Temperature Derating Curve



X-ON Electronics

Largest Supplier of Electrical and Electronic Components

Click to view similar products for [Automotive Fuses](#) category:

Click to view products by [Optifuse](#) manufacturer:

Other Similar products are found below :

[HBO-10](#) [HBO-100](#) [HBO-150](#) [HBO-40](#) [HBO-50](#) [AFX-150](#) [AT-10](#) [AT-30](#) [AT-5](#) [ATM-10ID](#) [ATM-4LP](#) [ACL-50](#) [AFX-50](#) [299080](#) [HBO-15](#)
[AT-20](#) [AT-3](#) [0287015](#) [142.7010.5502](#) [FMM-15](#) [0MIN015.HXGLO](#) [2010T1.25A250V](#) [0695030.PXPS](#) [0695040.PXPS](#) [0297003.WXT](#)
[0MIN025.HXGLO](#) [0MIN030.HXGLO](#) [0695025.PXPS](#) [0695015.PXPS](#) [0695050.PXPS](#) [0695060.PXPS](#) [MRBF-075](#) [02400106P](#)
[0297002.WXT](#) [0297004.WXT](#) [0297010.WXT](#) [0297015.WXT](#) [0297020.WXT](#) [0297025.WXT](#) [0297030.WXT](#) [029707.5WXT](#) [0602925](#)
[0602930](#) [0602935](#) [0602940](#) [0602950](#) [0602960](#) [0611100](#) [0611125](#) [0611150](#)