

Type FSC / FSC-P

Fast Acting Glass Tube Fuse

5 x 20 mm



www.optifuse.com (619) 593-5050

Agency Standards and Listings:



See table to the right...

Interrupt Ratings:

35A at 250VAC 100mA~1A
 100A at 250VAC 1.2A~3.5A
 200A at 250VAC 4A~8A
 100A at 250VAC 1A~15A PSE
 100A at 250VAC 100mA~7A KC

Operating Temperature:

-55° C - +90° C

Packaging in Bulk:

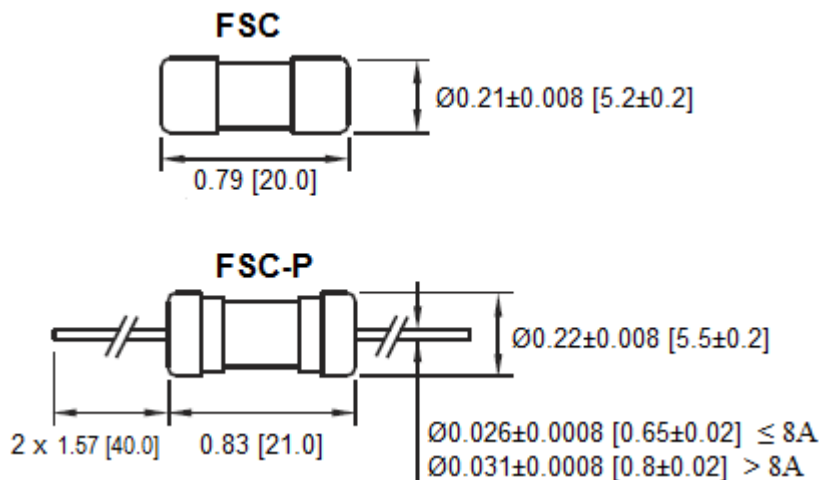
FSC-1000 pcs ; FSC-P- 500 pcs per box

Electrical Characteristics

100%	135%	200%
Min	Max	Max
4h	1h	5s

Cartridge Part No.	Axial Lead Part No.	Ampere Rating	Voltage Rating (V)	Nominal Resistance Cold Ohms	UL cUL	PSE	KC
FSC-100mA	FSC-P-100mA	100mA	250V	-	•		•
FSC-125mA	FSC-P-125mA	125mA		-	•		•
FSC-150mA	FSC-P-150mA	150mA		-	•		•
FSC-200mA	FSC-P-200mA	200mA		0.02697	•		•
FSC-250mA	FSC-P-250mA	250mA		0.03371	•		•
FSC-300mA	FSC-P-300mA	300mA		0.04045	•		•
FSC-315mA	FSC-P-315mA	315mA		0.04247	•		•
FSC-350mA	FSC-P-350mA	350mA		0.04719	•		•
FSC-400mA	FSC-P-400mA	400mA		0.06145	•		•
FSC-500mA	FSC-P-500mA	500mA		0.07681	•		•
FSC-600mA	FSC-P-600mA	600mA		0.1224	•		•
FSC-630mA	FSC-P-630mA	630mA		0.1790	•		•
FSC-700mA	FSC-P-700mA	700mA		0.3040	•		•
FSC-750mA	FSC-P-750mA	750mA		0.3550	•		•
FSC-800mA	FSC-P-800mA	800mA		0.6167	•		•
FSC-1A	FSC-P-1A	1A		1.400	•	•	•
FSC-1.25A	FSC-P-1.25A	1.25A	1.540	•	•	•	
FSC-1.5A	FSC-P-1.5A	1.5A	2.076	•	•	•	
FSC-1.6A	FSC-P-1.6A	1.6A	3.450	•	•	•	
FSC-2A	FSC-P-2A	2A	5.149	•	•	•	
FSC-2.5A	FSC-P-2.5A	2.5A	5.761	•	•	•	
FSC-3A	FSC-P-3A	3A	9.722		•	•	
FSC-3.15A	FSC-P-3.15A	3.15A	9.835		•	•	
FSC-3.5A	FSC-P-3.5A	3.5A	13.52		•	•	
FSC-4A	FSC-P-4A	4A	15.80		•	•	
FSC-5A	FSC-P-5A	5A	29.11		•	•	
FSC-6A	FSC-P-6A	6A	47.42		•	•	
FSC-6.3A	FSC-P-6.3A	6.3A	59.24		•	•	
FSC-7A	FSC-P-7A	7A	73.10		•	•	
FSC-8A	FSC-P-8A	8A	100.0		•		
FSC-9A	FSC-P-9A	9A	153.9		•		
FSC-10A	FSC-P-10A	10A	171.0		•		
FSC-12A	FSC-P-12A	12A	306.2		•		
FSC-15A	FSC-P-15A	15A	382.8		•		
FSC-16A	FSC-P-16A	16A	-				

Mechanical Dimensions



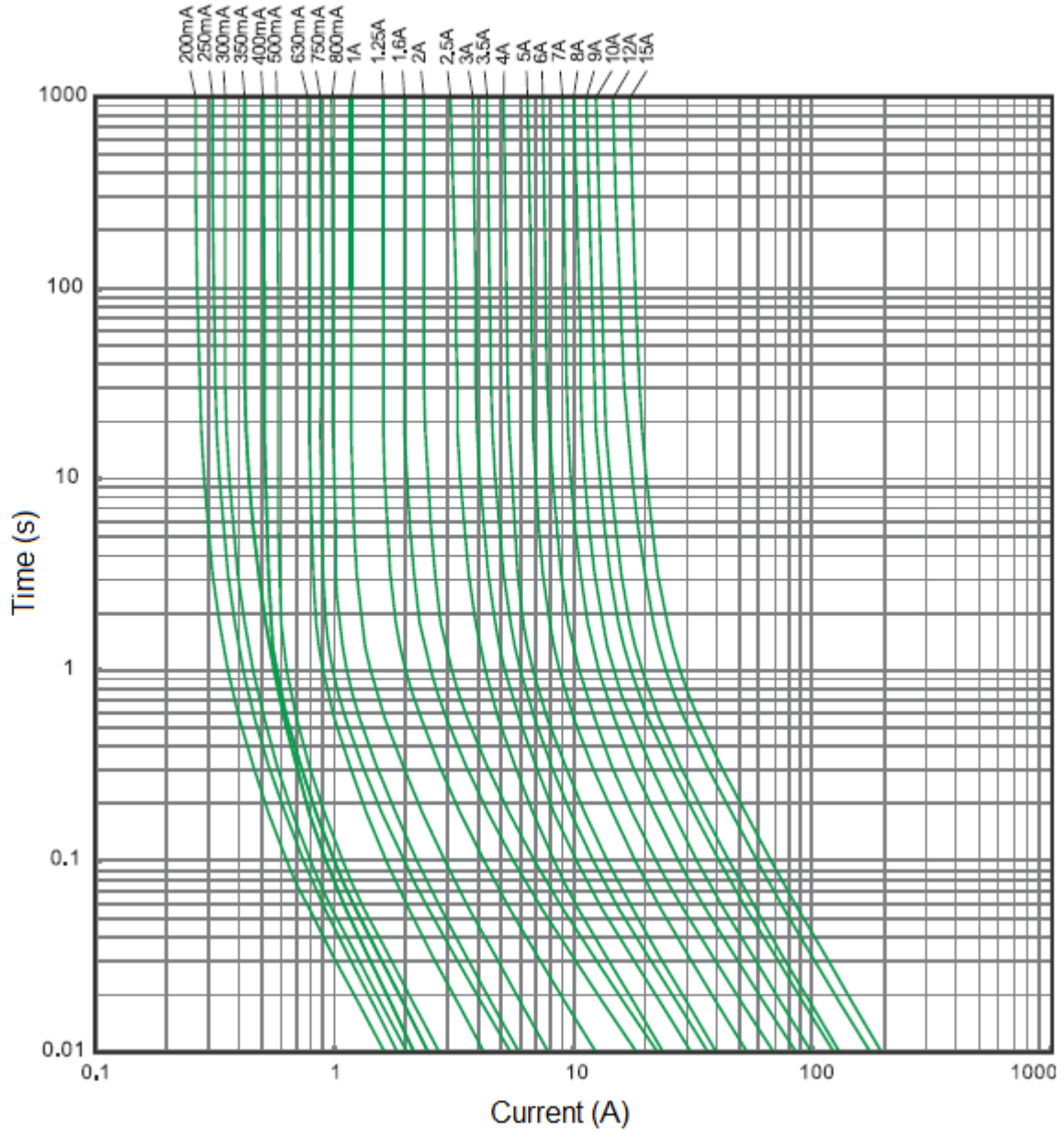
Note: All specifications subject to change without notice.

Type FSC / FSC-P
Fast Acting Glass Tube Fuse
5 x 20 mm



www.optifuse.com (619) 593-5050

PART NUMBER FSC / FSC-P
TIME CURRENT CURVES



X-ON Electronics

Largest Supplier of Electrical and Electronic Components

Click to view similar products for [Cartridge Fuses](#) category:

Click to view products by [Optifuse](#) manufacturer:

Other Similar products are found below :

[5TT3A-R](#) [MBO-20](#) [MDM-4/10](#) [MDQ-V-15/100](#) [MDX-1-6/10](#) [MDX-2](#) [MDX-3-2/10](#) [MDX-6-1/4](#) [FLSR-15](#) [FLSR-30](#) [FRS-1-1/4](#) [FRS-1-6/10](#) [FRS-4/10](#) [H362003](#) [1/2A](#) [AGC-1-1/2RX](#) [AGC-15EX](#) [AGC-V-3-12-R](#) [AGY-50](#) [15019-G](#) [MSL-1-1/2](#) [MSL-1-1/4](#) [MSL-1/2](#) [MSL-1/4](#) [MSL-3](#) [MSL-3/4](#) [MSL-4](#) [MSL-5](#) [BK1/C436-2A](#) [BK1-GMA-1-6-R](#) [BK1-S505-1-R](#) [BK1-S506-3-15-R](#) [BK/MDM-15](#) [BK/MDM-3/4](#) [1C10X38AM](#) [S501-V-10A](#) [S505-V-500MA](#) [SEF-1697-1-002](#) [301030](#) [303030](#) [FLA10](#) [FLA-4/10](#) [FLNR-5](#) [20.0M6.3X32F](#) [GBB-17-1/2](#) [301001](#) [301020](#) [311008](#) [313.25](#) [313.75](#)