

Type LPA-05

In-Line Fuse Holder - Heavy Duty

1/4" x 1 1/4" (6.3 x 32mm) Fuses



www.optifuse.com (619) 593-5050

Ratings:

- Fuse Type:** 1/4" x 1 1/4" (6.3 x 32mm)
- Electrical Rating:** 250VAC, 32VDC
- Body:** Nylon
- Contacts:** Brass
- Standard Wire Sizes:** #12 ~ #18 AWG
- Standard Wire Colors:** Red
- Standard Body colors:** White
- Wire Length:** 4 inches

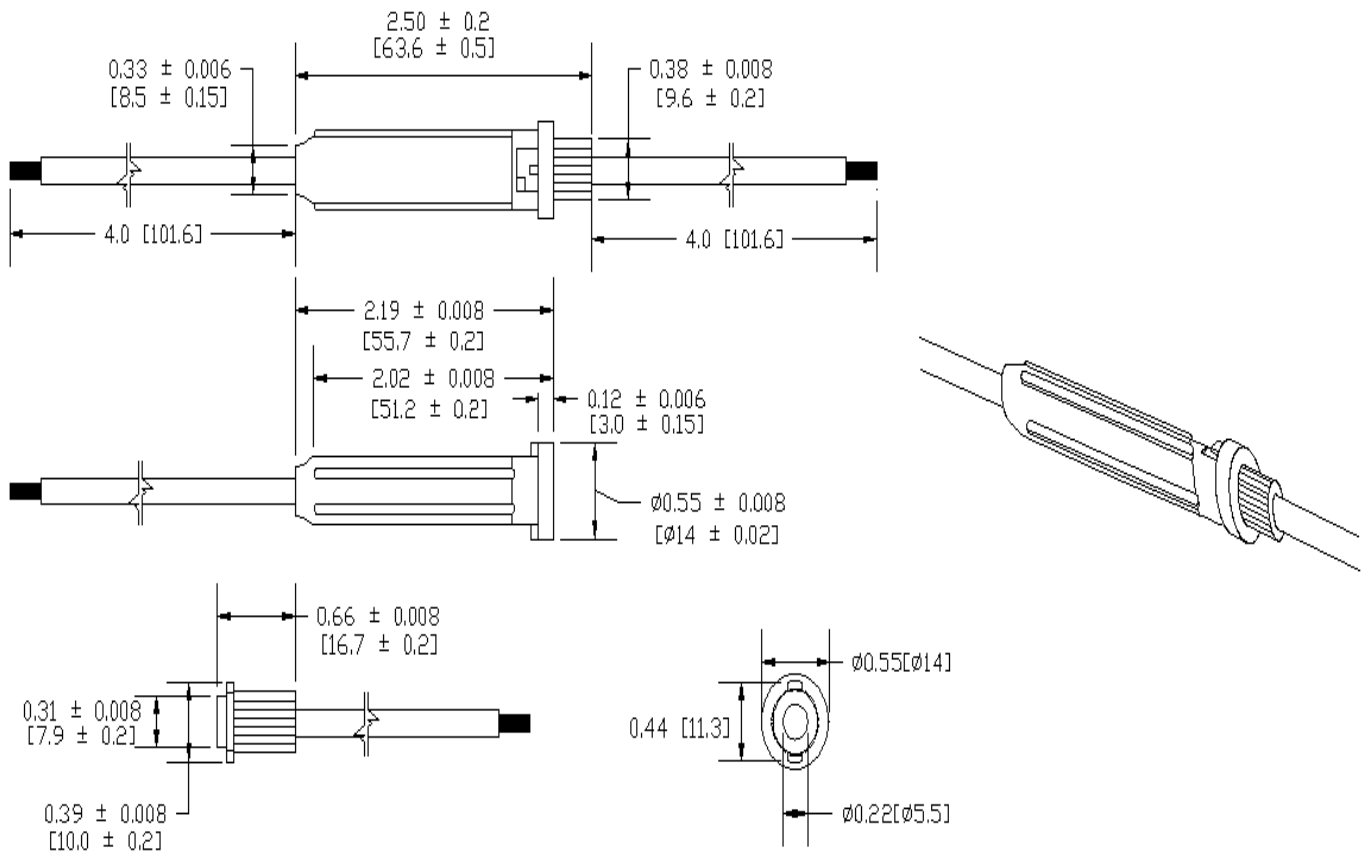
Part number format

LPA-05W-##R
 where ## = Wire gauge

Wire Gauge	Max. Amperage
12 AWG	30 A
14 AWG	20 A
16 AWG	15 A
18 AWG	10 A

Available in various wire gauges and lengths, and body and wire colors.
 Contact factory for those not listed above.

Mechanical Dimensions: Inches [mm]



<p>Warning:</p>	<ul style="list-style-type: none"> -Operation beyond the specified maximum ratings or improper use may result in damage and possible electrical arcing and/or flame. -Avoid contact of device with chemical solvent. Prolonged contact will damage the device performance. -Not designed for prolonged liquid exposure or submersible applications.
------------------------	--

X-ON Electronics

Largest Supplier of Electrical and Electronic Components

Click to view similar products for [Optifuse](#) manufacturer:

Other Similar products are found below :

[ACB-12-V-30A](#) [ACB-12-V-50A](#) [ACBP4-PM-5A](#) [ANM-2A](#) [ANM-3A](#) [ANM58-1A](#) [ANR58-UL-10A](#) [ANR58-UL-20A](#) [ANR58-UL-2A](#)
[ANR58-UL-30A](#) [ANR58-UL-3A](#) [ANR58-UL-5A](#) [ANR80-UL-40A](#) [ANR80-UL-5A](#) [APM-35A](#) [APM-5A](#) [APR-10A](#) [APR-1A](#) [APR-20A](#)
[APR-25A](#) [APR-2A](#) [APR-30A](#) [APR-3A](#) [APR-4A](#) [APR58-UL-10A](#) [APR58-UL-15A](#) [APR58-UL-1A](#) [APR58-UL-30A](#) [APR58-UL-40A](#) [APR-](#)
[7.5A](#) [APX-100A](#) [BLC-05-GTA](#) [BLC-09-GT](#) [BLC-20A](#) [BLC-20C](#) [BLM-304](#) [BLR-304](#) [BLR-306](#) [BLR-504](#) [BLR-I-301](#) [BLR-I-504](#)
[CBW28-1A](#) [CBW28-2A](#) [CBW57-EL4-10A](#) [CBW57-EL4-5A](#) [CBW57-ES-10A-5H](#) [CBW57-ES-3A](#) [CBW57-ES-5A](#) [CBW57-HS-15A-5X](#)
[CBW57-PB-10A-5X](#)