

# Type LPK-01 In-Line Fuse Holder Automotive Blade Type 3 Terminal (Micro, 3-Leg)



www.optifuse.com

(619) 593-5050

## Specifications:

**Rating:** 20A Max. 58 VDC

**Body Material:** Nylon with Glass Fiber, Black

**Protective Cover:** Polypropylene

**Contacts:** Brass, Junior Power Timer

**IP Rating:** IP 63 or IP 67

For use with Type ANK Fuse Series

(3 Terminal – Micro, 3 leg - Automotive Blade)

**Standard Wire:** UL1015, Red Color

Center: 5 inches, Sides: 6 inches

Bracket attached to gang multiple fuse holders together

Part Number	Wire Size (AWG)	
	Side	Center
LPK-01B-14R (-W)	#14	#12
LPK-01B-16R (-W)	#16	#14

## Part number format

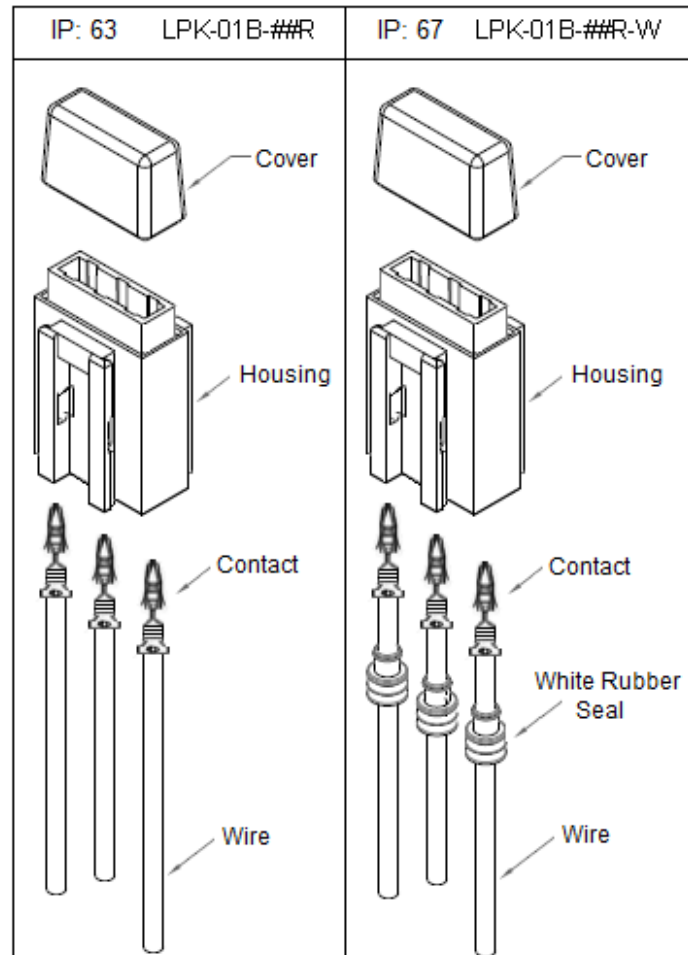
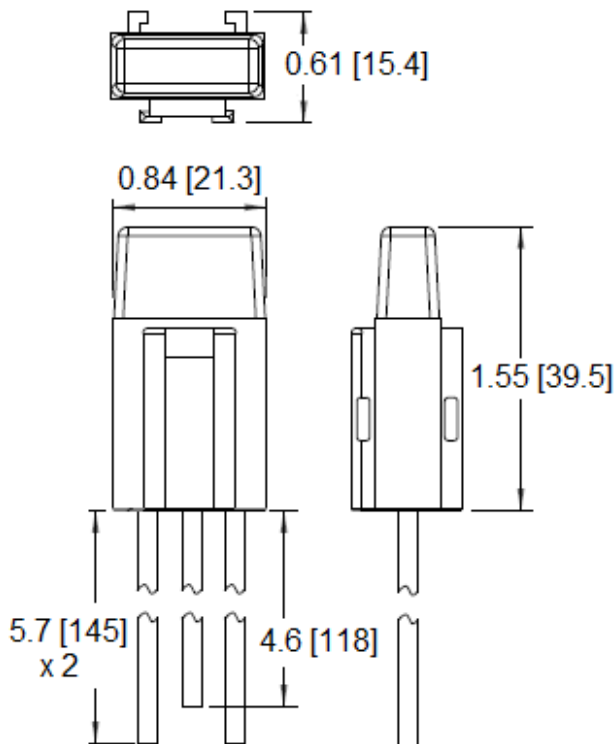
**LPK-01B-##R (-W)**

Where

## = Side Wire Gauge

-W = IP Rating 67 (Else IP Rating is 63)

## Mechanical Dimensions: Inches [mm]



## Warning:



-Operation beyond the specified maximum ratings or improper use may result in damage and possible electrical arcing and/or flame.

-Device is intended for occasional overcurrent protection. Application for repeated overcurrent condition and/or prolonged trip are not anticipated.

-Avoid contact of device with chemical solvent. Prolonged contact will damage the device performance.

## X-ON Electronics

Largest Supplier of Electrical and Electronic Components

*Click to view similar products for [Fuse Holder](#) category:*

*Click to view products by [Optifuse](#) manufacturer:*

Other Similar products are found below :

[570-290-741P40](#) [570-290-751P40](#) [020417G](#) [020418E](#) [6R30A1B](#) [F600A3B](#) [80910030](#) [8601.2020](#) [G15A2SPQ](#) [9-3557-GP REV A](#) [HDJ-B](#)  
[R6J30A3S](#) [HFH-1](#) [RF30A1S](#) [RF30A2B](#) [RF30A3SP](#) [15600-08-10](#) [BK/FHN19G](#) [BK/HHM](#) [BK/HKP-CCHH](#) [BK/HKP-JJ](#) [BK/HTJ-LES-](#)  
[FUSE](#) [HMG-241](#) [HTJ-LES-FUSE](#) [C4044-1](#) [2086-1](#) [2193](#) [2602](#) [2650](#) [178.000100](#) [FHN31G1](#) [T30A2B](#) [G4PB8](#) [2660](#) [2799](#) [CQ-209V](#) [HKP-](#)  
[CCHH](#) [R6F30A2S](#) [341001A](#) [345621A](#) [CVRMCC](#) [4202](#) [4407](#) [4408](#) [4413](#) [4423](#) [4532](#) [4537](#) [TSD1404-12](#) [BK/FHN31G1](#)