

# Type LPM-04B-I In-Line Fuse Indicating Holder Mini. Auto Blade Fuses Waterproof



www.optifuse.com (619) 593-5050

**Ratings:**

**Fuse Type:** Mini Auto Blade – APM, ANM

**Electrical Rating:** see Wire Gauge table

**Body:** PVC

**Contacts:** Tin plated Brass

**IP Rating:** IP67

**With LED** warning light when fuse is opened.

**Standard Wire Gauges:** #12 ~ #18 AWG

**Standard Wire Colors:** Red

**Standard Body colors:** Black

**Standard Wire Length:** 4 inches

Standard Wire Gauges		
Wire Gauge	Rating	Wire Color
#12	30A 24VDC	Red
#14	20A 24VDC	Red
#16	15A 24VDC	Red
#18	10A 24VDC	Red

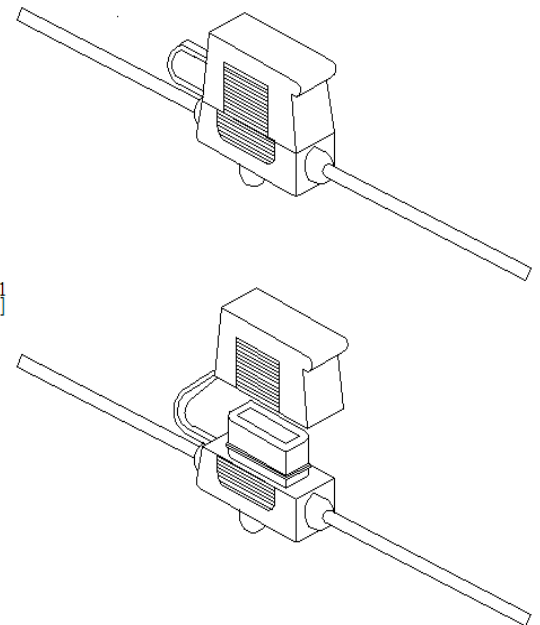
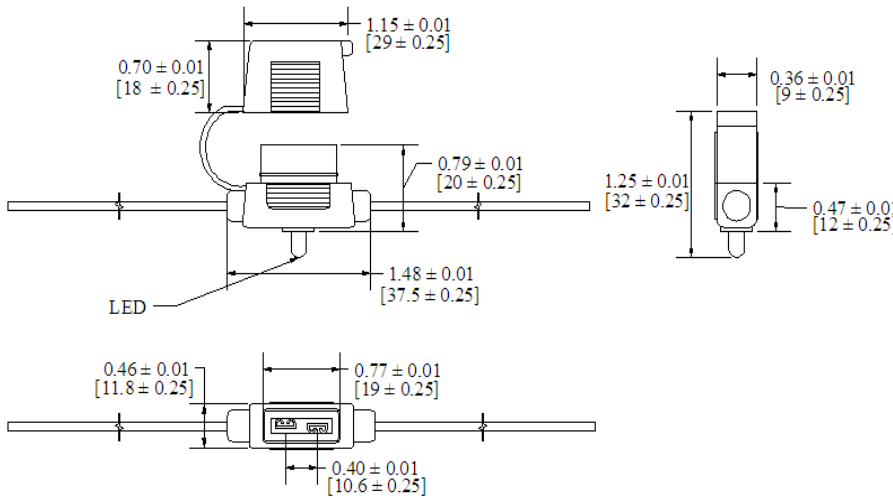
**Part number format**

**LPM-04B-I-##R**

where ## = Wire gauge

Available in various wire gauges and lengths, and wire colors.  
Contact factory for those not listed above.

**Mechanical Dimensions: Inches [mm]**



**Warning:**



- Operation beyond the specified maximum ratings or improper use may result in damage and possible electrical arcing and/or flame.
- Avoid contact of device with chemical solvent. Prolonged contact may damage the device performance.
- Not designed for prolonged liquid exposure or submersible applications.

## X-ON Electronics

Largest Supplier of Electrical and Electronic Components

*Click to view similar products for [Fuse Holder](#) category:*

*Click to view products by [Optifuse](#) manufacturer:*

Other Similar products are found below :

[570-290-741P40](#) [570-290-751P40](#) [020417G](#) [020418E](#) [6R30A1B](#) [F600A3B](#) [80910030](#) [8601.2020](#) [G15A2SPQ](#) [9-3557-GP REV A](#) [HDJ-B](#)  
[R6J30A3S](#) [HFH-1](#) [RF30A1S](#) [RF30A2B](#) [RF30A3SP](#) [15600-08-10](#) [BK/FHN19G](#) [BK/HHM](#) [BK/HKP-CCHH](#) [BK/HKP-JJ](#) [BK/HTJ-LES-](#)  
[FUSE](#) [HMG-241](#) [HTJ-LES-FUSE](#) [C4044-1](#) [2086-1](#) [2193](#) [2602](#) [2650](#) [178.000100](#) [FHN31G1](#) [T30A2B](#) [G4PB8](#) [2660](#) [2799](#) [CQ-209V](#) [HKP-](#)  
[CCHH](#) [R6F30A2S](#) [341001A](#) [345621A](#) [CVRMCC](#) [4202](#) [4407](#) [4408](#) [4413](#) [4423](#) [4532](#) [4537](#) [TSD1404-12](#) [BK/FHN31G1](#)