

# Type LPX-02

## In-Line Fuse Holder

### Maxi Automotive Blade Fuses

### Splashproof Cap, Ignition Protected



www.optifuse.com (619) 593-5050

**Ratings:**

- Fuse Type:** Maxi Automotive Blade - APXs, ANXs
- Electrical Rating:** 58VDC
- Ambient/Operating Temperature:** -40 °C to +85 °C
- Body:** PVC
- Contacts:** Brass with Tin Plated
- Cap:** Splashproof Cap
- IP Rating:** IP65
- Ignition Protected**
- Standard Wire Sizes:** #6 ~ #8 AWG
- Standard Wire Colors:** See table
- Standard Body colors:** Black
- Standard Wire Length:** 5 inches

**Part number format**

**LPX-02B-##Z**

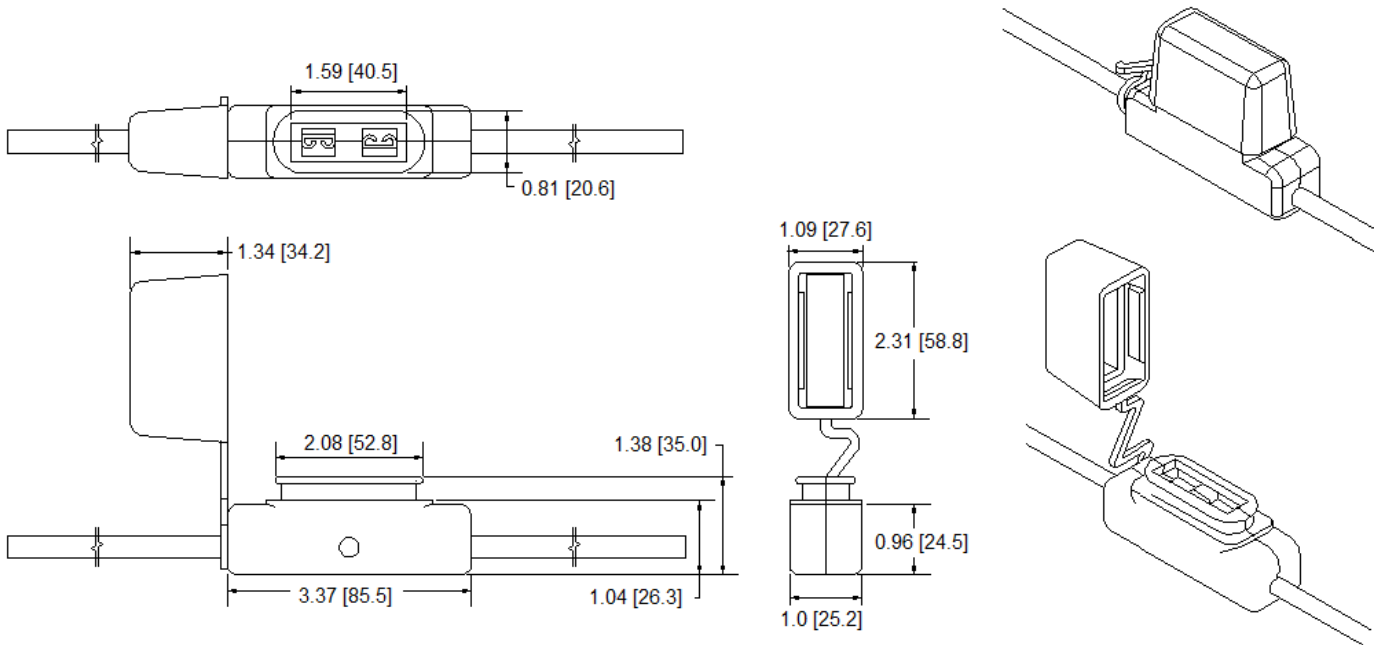
where ## = Wire gauge

Z = Wire color (R or B)

Standard Colors for Wire Gauges		
AWG	Standard Wire Color	Max Amperage
#6	Red	80A
#8	Black	60A

Available in various wire gauges and lengths, and body and wire colors. Contact factory for those not listed above.

**Mechanical Dimensions: Inches [mm]**



<p><b>Warning:</b></p>	<ul style="list-style-type: none"> <li>-Operation beyond the specified maximum ratings or improper use may result in damage and possible electrical arcing and/or flame.</li> <li>-Avoid contact of device with chemical solvent. Prolonged contact may damage the device performance.</li> <li>-Not designed for prolonged liquid exposure or submersible applications.</li> </ul>
------------------------	---

## X-ON Electronics

Largest Supplier of Electrical and Electronic Components

*Click to view similar products for [Fuse Holder](#) category:*

*Click to view products by [Optifuse](#) manufacturer:*

Other Similar products are found below :

[570-290-741P40](#) [570-290-751P40](#) [020417G](#) [020418E](#) [6R30A1B](#) [F600A3B](#) [80910030](#) [8601.2020](#) [G15A2SPQ](#) [9-3557-GP REV A](#) [HDJ-B](#)  
[R6J30A3S](#) [HFH-1](#) [RF30A1S](#) [RF30A2B](#) [RF30A3SP](#) [15600-08-10](#) [BK/FHN19G](#) [BK/HHM](#) [BK/HKP-CCHH](#) [BK/HKP-JJ](#) [BK/HTJ-LES-](#)  
[FUSE](#) [HMG-241](#) [HTJ-LES-FUSE](#) [C4044-1](#) [2086-1](#) [2193](#) [2602](#) [2650](#) [178.000100](#) [FHN31G1](#) [T30A2B](#) [G4PB8](#) [2660](#) [2799](#) [CQ-209V](#) [HKP-](#)  
[CCHH](#) [R6F30A2S](#) [341001A](#) [345621A](#) [CVRMCC](#) [4202](#) [4407](#) [4408](#) [4413](#) [4423](#) [4532](#) [4537](#) [TSD1404-12](#) [BK/FHN31G1](#)