

**Type MGGA**  
**Slow Blow Automotive (MEGA®)¹**  
**Limiter Fuse**  
**2" (50.8mm) Center to Center Bolt-on**



www.optifuse.com (619) 593-5050

**Interrupting Rating (IR):** 1000A @ 32VDC  
**Operating Temperature:** -40°C ~ 125°C

**Body:** PES  
**Terminals:** Copper Alloy, tin plated

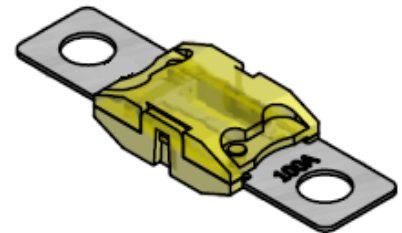
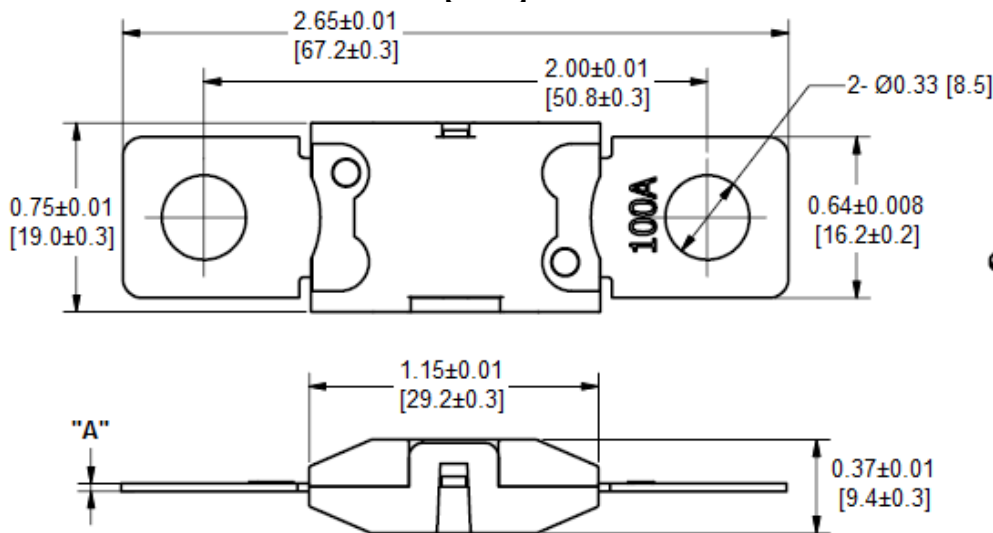
**Electrical Characteristics:**

Rating A (In)	75% In	100% In	135% In	200% In	350% In	600% In
80A ~ 250A		Min 4 hr.	Min 120 sec Max 1800 sec	Min 1 sec Max 15 sec	Min 300ms Max 5 sec	Min .1 sec Max 1 sec
300A	Min 4 hr.			Min 1 sec Max 15 sec	Min 500ms Max 5 sec	

**Product Information:**

Part Number	Ampere Rating	Voltage Rating (VDC)	Stamp Color Code	Terminal Thickness Dimension "A"	Nominal Cold Resistance (mΩ)	Minimum Melting I²t (A² Sec.)
MGGA-100	100	32	Yellow	0.031" / 0.8mm	0.55	31,100
MGGA-125	125	32	Green	0.031" / 0.8mm	0.43	57,800
MGGA-150	150	32	Orange	0.031" / 0.8mm	0.35	100,000
MGGA-175	175	32	White/Clear	0.031" / 0.8mm	0.27	168,000
MGGA-200	200	32	Blue	0.031" / 0.8mm	0.26	204,000
MGGA-225	225	32	Tan	0.039" / 1.0mm	0.23	257,000
MGGA-250	250	32	Pink	0.039" / 1.0mm	0.19	389,000
MGGA-300	300	32	Gray	0.039" / 1.0mm	0.22	513,000

**Product Dimensions: Inches [mm]**



Note: All specifications subject to change without notice.

Rev C 08/2017 - Page: 1/2  
 Code:J01-01H

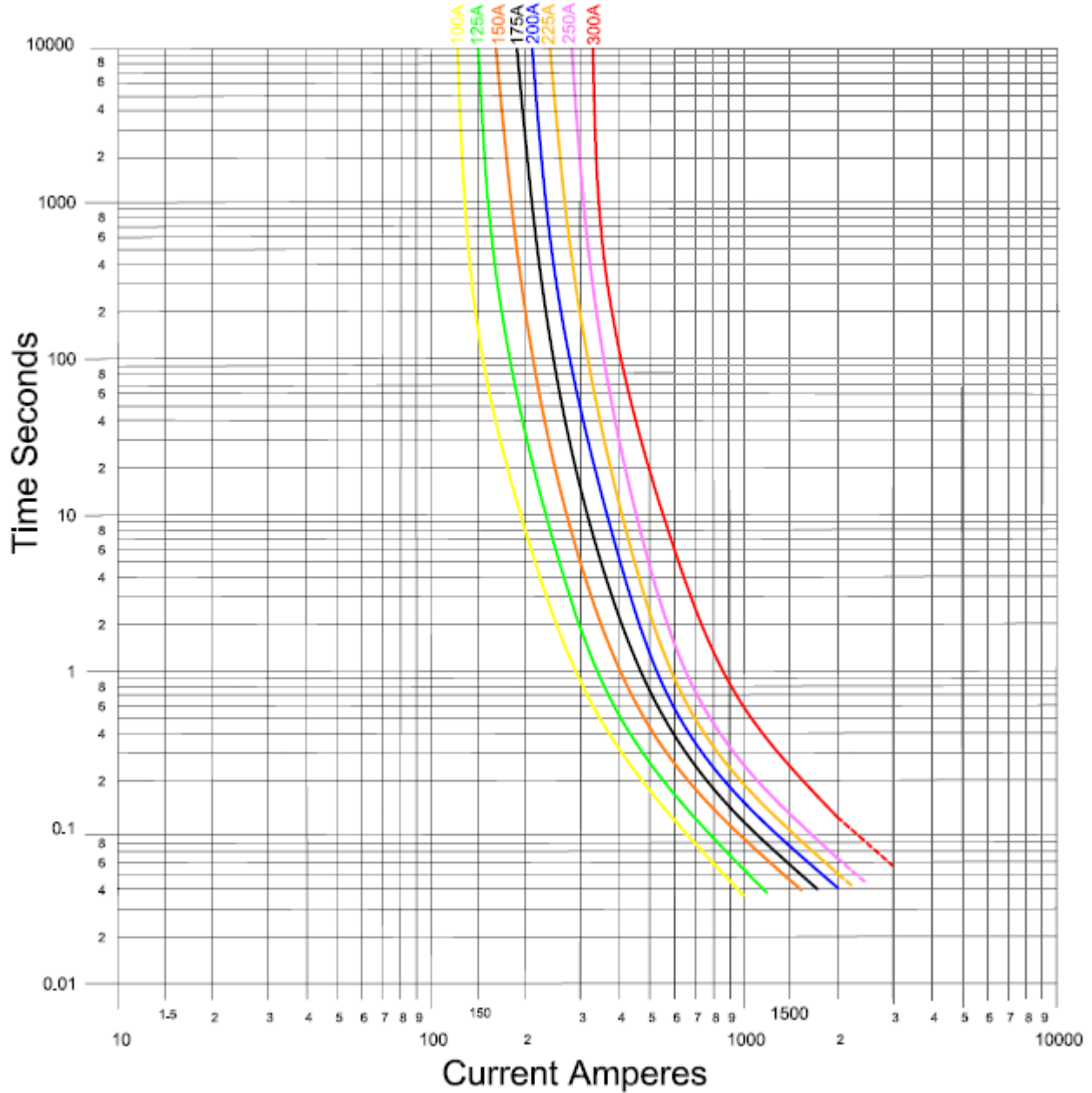
1. MEGA® is a registered trademark of Littelfuse.

**Type MGGA  
 Slow Blow Automotive (MEGA®)<sup>1</sup>  
 Limiter Fuse  
 2" (50.8mm) Center to Center**



www.optifuse.com (619) 593-5050

**Average Time Current Curves:**



**Warning:**



- Operation beyond the specified maximum ratings or improper use may result in damage and possible electrical arcing and/or flame.
- Limiter Fuses are intended for occasional overcurrent protection. Application for repeated overcurrent condition and/or prolonged trip are not anticipated.
- Avoid contact of Limiter Fuses with chemical solvent. Prolonged contact will damage the device performance.

Note: All specifications subject to change without notice.

Rev C 08/2017 - Page: 2/2  
 Code:J01-01H

1. MEGA® is a registered trademark of Littelfuse.

## X-ON Electronics

Largest Supplier of Electrical and Electronic Components

*Click to view similar products for [Automotive Fuses](#) category:*

*Click to view products by [Optifuse](#) manufacturer:*

Other Similar products are found below :

[HBO-10](#) [HBO-100](#) [HBO-150](#) [HBO-40](#) [HBO-50](#) [AFX-150](#) [AT-10](#) [AT-30](#) [AT-5](#) [ATM-10ID](#) [ATM-4LP](#) [ACL-50](#) [AFX-50](#) [299080](#) [HBO-15](#)  
[AT-20](#) [AT-3](#) [0287015](#) [142.7010.5502](#) [FMM-15](#) [0MIN015.HXGLO](#) [2010T1.25A250V](#) [0695030.PXPS](#) [0695040.PXPS](#) [0297003.WXT](#)  
[0MIN025.HXGLO](#) [0MIN030.HXGLO](#) [0695025.PXPS](#) [0695015.PXPS](#) [0695050.PXPS](#) [0695060.PXPS](#) [MRBF-075](#) [02400106P](#)  
[0297002.WXT](#) [0297004.WXT](#) [0297010.WXT](#) [0297015.WXT](#) [0297020.WXT](#) [0297025.WXT](#) [0297030.WXT](#) [029707.5WXT](#) [0602925](#)  
[0602930](#) [0602935](#) [0602940](#) [0602950](#) [0602960](#) [0611100](#) [0611125](#) [0611150](#)