

Type MRCBP4-PL Manual Reset Circuit Breaker Automotive Type III Automotive Blade Type



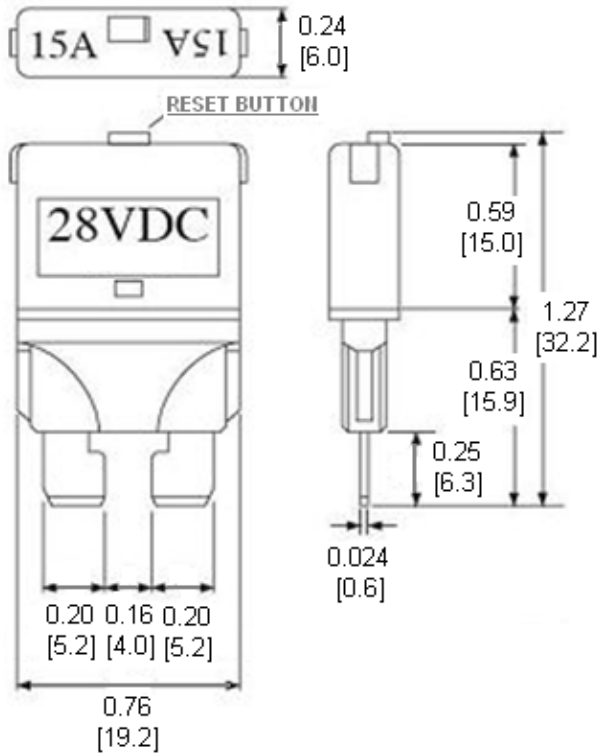
www.optifuse.com (619) 593-5050

Specifications:

Manual Reset Type Circuit Breaker – Regular Blade Style
 Voltage: Up to 28VDC
 Amperage: 5A, 6A, 7.5A, 8A, 10A, 15A, 20A, 25A, 30A
 Interrupt Rating: 2000A @ 28VDC
 Materials: Thermoplastic – (UL Rated 94-V-0)
 Terminals: Tin plated Brass Alloy
 Ignition Protected
 Conforms to American National Standard SAE J553 Type III
 Cover is color coded to Amperage Ratings
 Operating Temperature: -40° C ~ 85° C
 Storage Temperature: -40° C ~ 125° C

Part Number	Amperage	Body Color
MRCBP4-PL-5A	5A	Lt. Brown
MRCBP4-PL-6A	6A	Black
MRCBP4-PL-7.5A	7.5A	Brown
MRCBP4-PL-8A	8A	Brown
MRCBP4-PL-10A	10A	Red
MRCBP4-PL-15A	15A	Blue
MRCBP4-PL-20A	20A	Yellow
MRCBP4-PL-25A	25A	White
MRCBP4-PL-30A	30A	Green

Mechanical Dimensions: Inches [mm]



Warning:



- Operation beyond the specified maximum ratings or improper use may result in damage and possible electrical arcing and/or flame.
- Device are intended for occasional overcurrent protection. Application for repeated overcurrent condition and/or prolonged trip are not anticipated.
- Avoid contact of device with chemical solvent. Prolonged contact will damage the device performance.
- Not intended for submersible water applications.

X-ON Electronics

Largest Supplier of Electrical and Electronic Components

Click to view similar products for [Optifuse manufacturer](#):

Other Similar products are found below :

[FSC-3.5A](#) [TPK-10A](#) [TSA-250MA](#) [BLR-304](#) [BLR-504](#) [BLC-05-GTA](#) [BLR-I-504](#) [BLM-304](#) [CBW57-EL4-10A](#) [FPK-10A](#) [FPK-1A](#) [FPK-30A](#) [LPM-08](#) [LPX-23B-08R-LOOP](#) [FPK-12A](#) [FPK-15A](#) [FPK-20A](#) [FPK-25A](#) [FPK-2A](#) [FPK-3A](#) [FPK-4A](#) [FPK-5A](#) [FPK-6A](#) [FPK-7A](#) [FPK-8A](#) [FPK-R-1.5A](#) [FPK-R-10A](#) [FPK-R-15A](#) [FPK-R-1A](#) [FPK-R-20A](#) [FPK-R-25A](#) [FPK-R-2A](#) [FPK-R-30A](#) [FPK-R-3A](#) [FPK-R-4A](#) [FPK-R-5A](#) [FPK-R-6A](#) [FPK-R-8A](#) [LPM-01B-12R](#) [ACB-12-V-50A](#) [LPR-13C-10R](#) [ACBP4-PM-5A](#) [BLR-306](#) [ACB-12-V-30A](#) [CBW57-EL4-5A](#) [CBW57-ES-5A](#) [CBW57-PB-10A-5X](#) [CBW57-PS-10A-5X](#) [CBW57-PS-3A-1X](#) [CBW28-1A](#)