

Type MRCBP4-PL Manual Reset Circuit Breaker Automotive Type III Automotive Blade Type



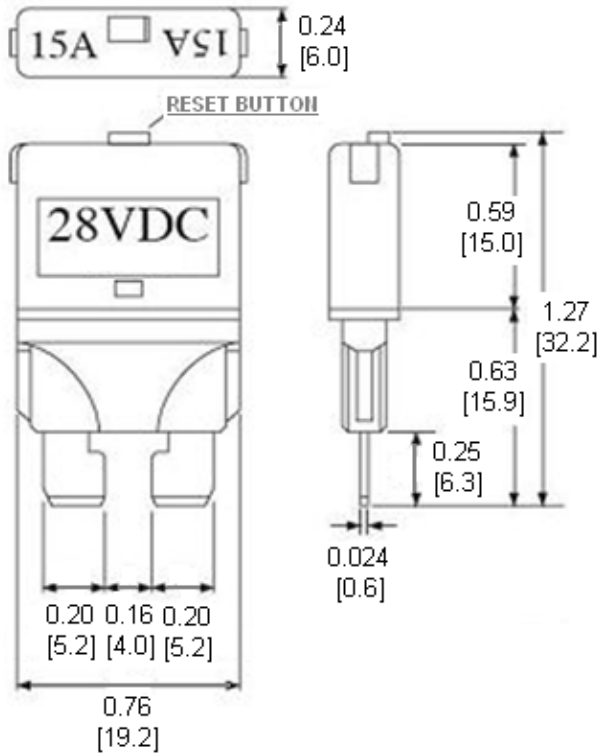
www.optifuse.com (619) 593-5050

Specifications:

Manual Reset Type Circuit Breaker – Regular Blade Style
 Voltage: Up to 28VDC
 Amperage: 5A, 6A, 7.5A, 8A, 10A, 15A, 20A, 25A, 30A
 Interrupt Rating: 2000A @ 28VDC
 Materials: Thermoplastic – (UL Rated 94-V-0)
 Terminals: Tin plated Brass Alloy
 Ignition Protected
 Conforms to American National Standard SAE J553 Type III
 Cover is color coded to Amperage Ratings
 Operating Temperature: -40° C ~ 85° C
 Storage Temperature: -40° C ~ 125° C

Part Number	Amperage	Body Color
MRCBP4-PL-5A	5A	Lt. Brown
MRCBP4-PL-6A	6A	Black
MRCBP4-PL-7.5A	7.5A	Brown
MRCBP4-PL-8A	8A	Brown
MRCBP4-PL-10A	10A	Red
MRCBP4-PL-15A	15A	Blue
MRCBP4-PL-20A	20A	Yellow
MRCBP4-PL-25A	25A	White
MRCBP4-PL-30A	30A	Green

Mechanical Dimensions: Inches [mm]



Warning:



- Operation beyond the specified maximum ratings or improper use may result in damage and possible electrical arcing and/or flame.
- Device are intended for occasional overcurrent protection. Application for repeated overcurrent condition and/or prolonged trip are not anticipated.
- Avoid contact of device with chemical solvent. Prolonged contact will damage the device performance.
- Not intended for submersible water applications.

X-ON Electronics

Largest Supplier of Electrical and Electronic Components

Click to view similar products for [Optifuse](#) manufacturer:

Other Similar products are found below :

[ACB-12-V-30A](#) [ACB-12-V-50A](#) [ACBP4-PM-5A](#) [ANM-2A](#) [ANM-3A](#) [ANM58-1A](#) [ANR58-UL-10A](#) [ANR58-UL-20A](#) [ANR58-UL-2A](#)
[ANR58-UL-30A](#) [ANR58-UL-3A](#) [ANR58-UL-5A](#) [ANR80-UL-40A](#) [ANR80-UL-5A](#) [APM-35A](#) [APM-5A](#) [APR-10A](#) [APR-1A](#) [APR-20A](#)
[APR-25A](#) [APR-2A](#) [APR-30A](#) [APR-3A](#) [APR-4A](#) [APR58-UL-10A](#) [APR58-UL-15A](#) [APR58-UL-1A](#) [APR58-UL-30A](#) [APR58-UL-40A](#) [APR-](#)
[7.5A](#) [APX-100A](#) [BLC-05-GTA](#) [BLC-09-GT](#) [BLC-20A](#) [BLC-20C](#) [BLM-304](#) [BLR-304](#) [BLR-306](#) [BLR-504](#) [BLR-I-301](#) [BLR-I-504](#)
[CBW28-1A](#) [CBW28-2A](#) [CBW57-EL4-10A](#) [CBW57-EL4-5A](#) [CBW57-ES-10A-5H](#) [CBW57-ES-3A](#) [CBW57-ES-5A](#) [CBW57-HS-15A-5X](#)
[CBW57-PB-10A-5X](#)