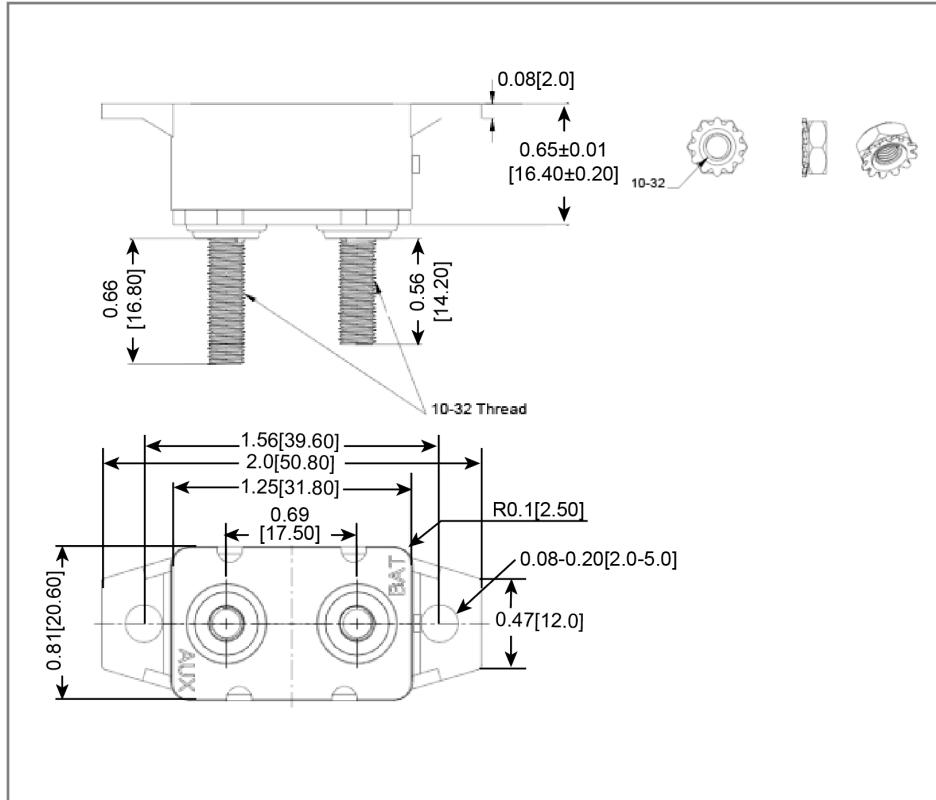


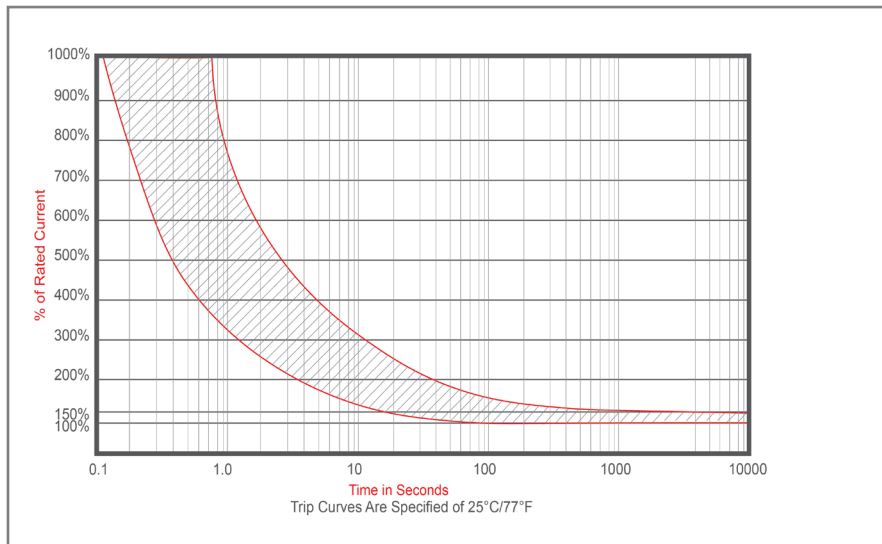
## Mechanical Dimensions: Inches [mm]



## Part Numbers Information

Optifuse P/N	Current	Body Color
MRCBP-V-10C	10A	Gray
MRCBP-V-15C	15A	Blue
MRCBP-V-20C	20A	Yellow
MRCBP-V-25C	25A	White
MRCBP-V-30C	30A	Green
MRCBP-V-40C	40A	Orange
MRCBP-V-50C	50A	Red

## Time vs. Percent of Rated Current



% of Rated Current	Min Trip Time	Max Trip Time
150%	1h	-
200%	4s	29s
300%	1.2s	10.5
400%	600ms	5s
500%	400ms	2.8s
600%	300ms	1.8s
800%	180ms	900ms
1000%	120ms	700ms

## Electrical Specifications

Voltage	32VDC
Reset Type	Type III – Manual Reset
Limited Short Circuit Current	1000A (UL1077)
Insulation Resistance	DC 500V 100M ohm 5 sec
Dielectric Strength	AC 1500V 1 minute

## Material Specifications

Body   Reset button	Thermoplastic (UL94V-0)   Thermoset
Terminals	Battery – Copper Plate (0.58"), Auxiliary – Zinc Plate (0.66")
Mounting Type	Chassis Mount
Operation Temperature	-10°C ~ 60°C
Recommended Torque for Installation	About 3.0±0.3 N.m

**Ambient Temperature Correction Factor**

-5 °C	(3A-4A)x 1.2, (5A-30A)x 1.12
+40 °C	(3A-4A)x 0.92, (5A-30A)x 0.94

**The time/current characteristic curve depends on the ambient temperature prevailing. In order to eliminate nuisance tripping. Please multiply the current breaker current ratings by the derating factor shown below.**

**Example:**

<b>Normal Continuous Current</b>	10A	
<b>Ambient Temperature</b>	40 °C	
<b>Multiplication Factor</b>	0.94	
<b>Recommended Rating</b>	10A/0.94=10.6A	
<b>Select the Nearest Rating</b>	11A	

Rev	Date of issue	Revision Notes	Designed	Approved
C	06-29-2020	Initial Drawing	RC	OF

## X-ON Electronics

Largest Supplier of Electrical and Electronic Components

*Click to view similar products for [Automotive Fuses](#) category:*

*Click to view products by [Optifuse](#) manufacturer:*

Other Similar products are found below :

[HBO-10](#) [HBO-100](#) [HBO-150](#) [HBO-40](#) [HBO-50](#) [AFX-150](#) [AT-10](#) [AT-30](#) [AT-5](#) [ATM-10ID](#) [ATM-4LP](#) [ACL-50](#) [AFX-50](#) [299080](#) [HBO-15](#)  
[AT-20](#) [AT-3](#) [0287015](#) [142.7010.5502](#) [FMM-15](#) [0MIN015.HXGLO](#) [2010T1.25A250V](#) [0695030.PXPS](#) [0695040.PXPS](#) [0297003.WXT](#)  
[0MIN025.HXGLO](#) [0MIN030.HXGLO](#) [0695025.PXPS](#) [0695015.PXPS](#) [0695050.PXPS](#) [0695060.PXPS](#) [MRBF-075](#) [0200300](#) [02400106P](#)  
[0297002.WXT](#) [0297004.WXT](#) [0297010.WXT](#) [0297015.WXT](#) [0297020.WXT](#) [0297025.WXT](#) [0297030.WXT](#) [029707.5WXT](#) [0602925](#)  
[0602930](#) [0602935](#) [0602940](#) [0602950](#) [0602960](#) [0611100](#) [0611125](#)