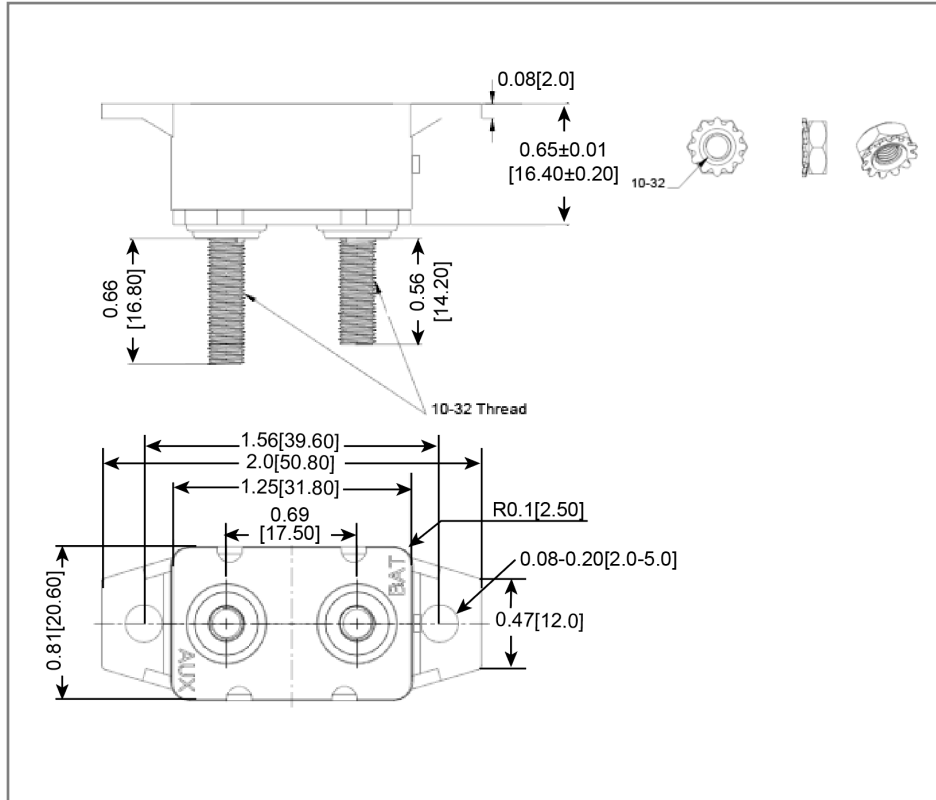


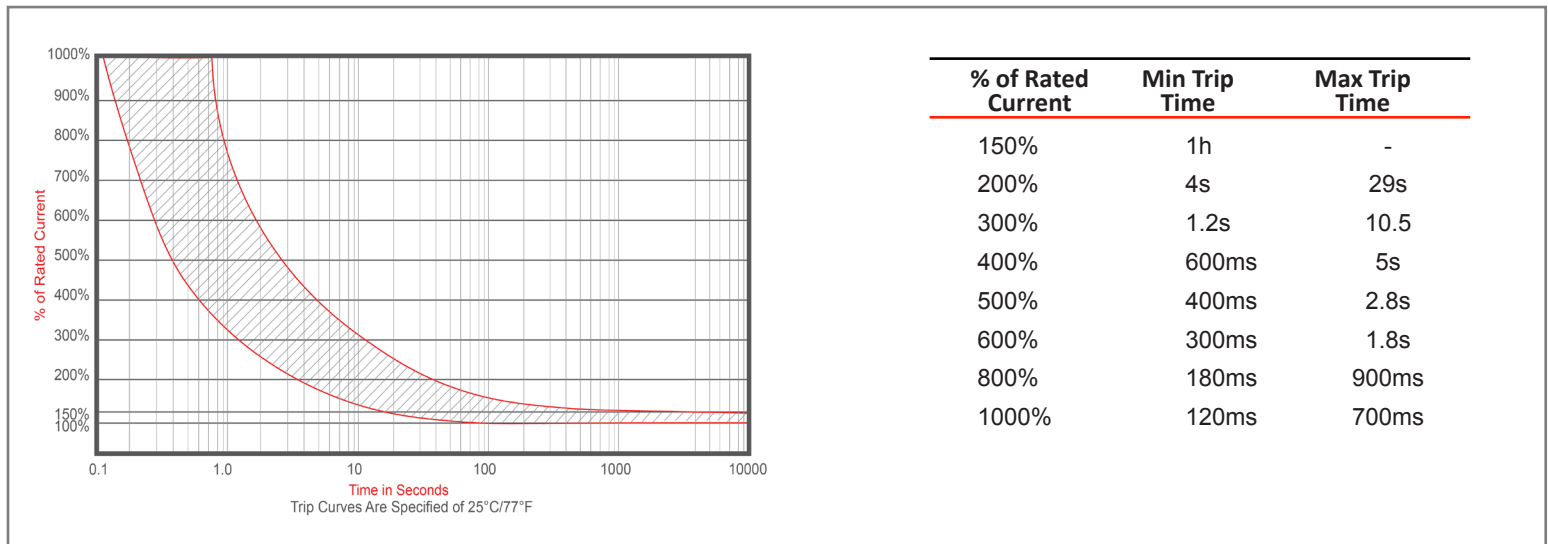
Mechanical Dimensions: Inches [mm]



Part Numbers Information

Optifuse P/N	Current	Body Color
MRCBP-V-10C	10A	Gray
MRCBP-V-15C	15A	Blue
MRCBP-V-20C	20A	Yellow
MRCBP-V-25C	25A	White
MRCBP-V-30C	30A	Green
MRCBP-V-40C	40A	Orange
MRCBP-V-50C	50A	Red

Time vs. Percent of Rated Current



Electrical Specifications

Voltage	32VDC
Reset Type	Type III – Manual Reset
Limited Short Circuit Current	1000A (UL1077)
Insulation Resistance	DC 500V 100M ohm 5 sec
Dielectric Strength	AC 1500V 1 minute

Material Specifications

Body Reset button	Thermoplastic (UL94V-0) Thermoset
Terminals	Battery – Copper Plate (0.58"), Auxiliary – Zinc Plate (0.66")
Mounting Type	Chassis Mount
Operation Temperature	-10°C ~ 60°C
Recommended Torque for Installation	About 3.0±0.3 N.m

Ambient Temperature Correction Factor

-5 °C	(3A-4A)x 1.2, (5A-30A)x 1.12
+40 °C	(3A-4A)x 0.92, (5A-30A)x 0.94

The time/current characteristic curve depends on the ambient temperature prevailing. In order to eliminate nuisance tripping. Please multiply the current breaker current ratings by the derating factor shown below.

Example:

Normal Continuous Current	10A	
Ambient Temperature	40 °C	
Multiplication Factor	0.94	
Recommended Rating	$10A/0.94=10.6A$	
Select the Nearest Rating	11A	

Rev	Date of issue	Revision Notes	Designed	Approved
C	06-29-2020	Initial Drawing	RC	OF

X-ON Electronics

Largest Supplier of Electrical and Electronic Components

Click to view similar products for [Automotive Fuses](#) category:

Click to view products by [Optifuse](#) manufacturer:

Other Similar products are found below :

[HBO-10](#) [HBO-100](#) [HBO-150](#) [HBO-40](#) [HBO-50](#) [AFX-150](#) [AT-10](#) [AT-30](#) [AT-5](#) [ATM-10ID](#) [ATM-4LP](#) [ACL-50](#) [AFX-50](#) [299080](#) [HBO-15](#)
[AT-20](#) [AT-3](#) [0287015](#) [142.7010.5502](#) [FMM-15](#) [0MIN015.HXGLO](#) [2010T1.25A250V](#) [0695030.PXPS](#) [0695040.PXPS](#) [0297003.WXT](#)
[0MIN025.HXGLO](#) [0MIN030.HXGLO](#) [0695025.PXPS](#) [0695015.PXPS](#) [0695050.PXPS](#) [0695060.PXPS](#) [MRBF-075](#) [0200300](#) [02400106P](#)
[0297002.WXT](#) [0297004.WXT](#) [0297010.WXT](#) [0297015.WXT](#) [0297020.WXT](#) [0297025.WXT](#) [0297030.WXT](#) [029707.5WXT](#) [0602925](#)
[0602930](#) [0602935](#) [0602940](#) [0602950](#) [0602960](#) [0611100](#) [0611125](#)