

**Type PMA-LS-DC1-Q2S**  
**Panel Mount Fuse Holder**  
**1/4" x 1 1/4" (6.3 x 32mm) Fuses**  
**LED Warning Light / Screw**



www.optifuse.com

(619) 593-5050

**Electrical Rating:** 20A, 32V DC

**Fuse Style:** 1/4" x 1 1/4" (6.3 x 32mm)

**IP Rating:** IP66

**Material:**

**Frame:** Phenolic (UL flame: 94V-1)

**Cap:** Polycarbonate (UL flame: 94V-2)

**Terminals:** Silver-plated copper

**Cap:** LED Warning Light type, Screw type

**LED** indicates when fuse is burned.

**Mounting:** by nut

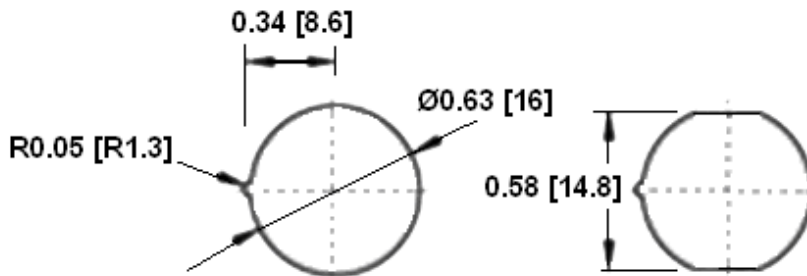
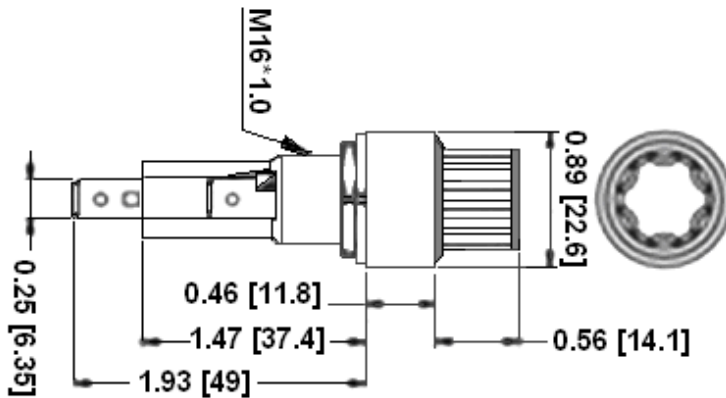
**Terminal:** Solder/Quick-Connect 6.4mm / 0.250"

**Panel Thickness:** 0.5 ~ 10.0mm

**Agency Standards and Listings:**



**Product Dimensions: Inches [mm]**



**Mounting Holes**

**Warning:**



- Operation beyond the specified maximum ratings or improper use may result in damage and possible electrical arcing and/or flame.
- Fuse Holders are not intended for circuit disconnect. All power should be disconnected before removing fuse.
- Avoid contact of Fuse Holder with chemical solvent. Prolonged contact may damage the device performance.

## X-ON Electronics

Largest Supplier of Electrical and Electronic Components

*Click to view similar products for [Fuse Holder](#) category:*

*Click to view products by [Optifuse](#) manufacturer:*

Other Similar products are found below :

[570-290-741P40](#) [570-290-751P40](#) [020417G](#) [020418E](#) [6R30A1B](#) [F600A3B](#) [80910030](#) [8601.2020](#) [G15A2SPQ](#) [9-3557-GP REV A](#) [HDJ-B](#)  
[R6J30A3S](#) [HFH-1](#) [RF30A1S](#) [RF30A2B](#) [RF30A3SP](#) [15600-08-10](#) [BK/FHN19G](#) [BK/HHM](#) [BK/HKP-CCHH](#) [BK/HKP-JJ](#) [BK/HTJ-LES-](#)  
[FUSE](#) [HMG-241](#) [HTJ-LES-FUSE](#) [C4044-1](#) [2086-1](#) [2193](#) [2602](#) [2650](#) [178.000100](#) [FHN31G1](#) [T30A2B](#) [G4PB8](#) [2660](#) [2799](#) [CQ-209V](#) [HKP-](#)  
[CCHH](#) [R6F30A2S](#) [341001A](#) [345621A](#) [CVRMCC](#) [4202](#) [4407](#) [4408](#) [4413](#) [4423](#) [4532](#) [4537](#) [TSD1404-12](#) [BK/FHN31G1](#)