

Type PMC-DS-04-SOS

Panel Mount Fuse Holder

5 x 20 mm Fuses

Driver / Screw



www.optifuse.com (619) 593-5050

Electrical Rating: 6.3A, 250V AC; 10A, 125V AC
Fuse Style: 5 x 20mm

Material:

Frame and Cap: Nylon (UL flame: 94V-2)

Terminals: Nickel-plated brass

Cap: Slotted Driver type, Screw type

Mounting: Snap-in mounting

Terminal: Solder 2.8mm / 0.109"

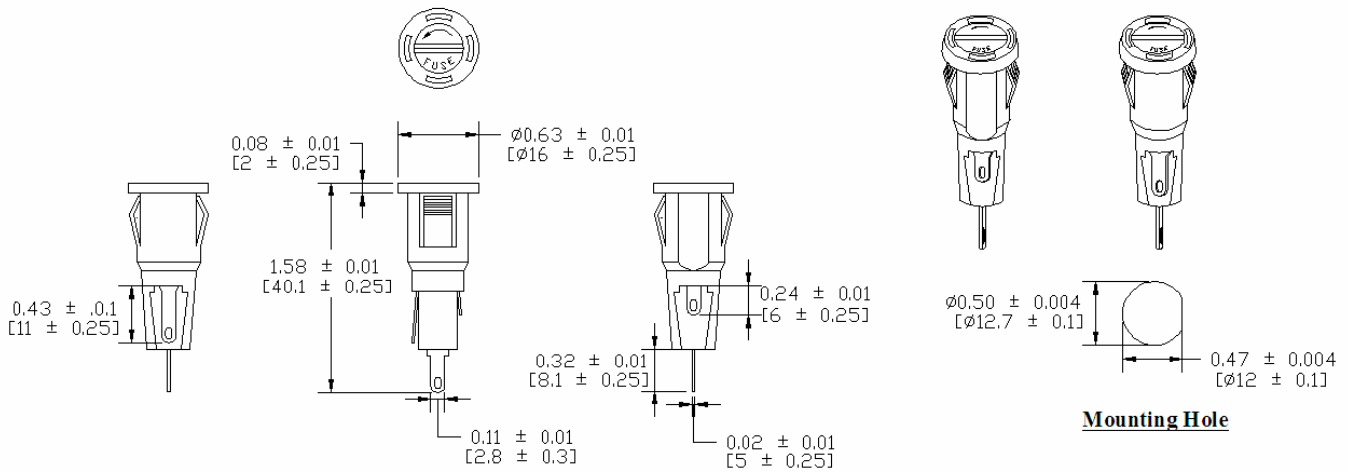
Panel Thickness: 0.7 ~ 3.5mm

Agency Standards and Listings:

UL Recognized 6.3A 250V, 10A 125V
 VDE 6.3A 250V



Product Dimensions: Inches [mm]



Mounting Hole

<p>Warning:</p>	<ul style="list-style-type: none"> -Operation beyond the specified maximum ratings or improper use may result in damage and possible electrical arcing and/or flame. -Fuse Holders are not intended for circuit disconnect. All power should be disconnected before removing fuse. -Avoid contact of Fuse Holder with chemical solvent. Prolonged contact may damage the device performance.
------------------------	---

X-ON Electronics

Largest Supplier of Electrical and Electronic Components

Click to view similar products for [Fuse Holder](#) category:

Click to view products by [Optifuse](#) manufacturer:

Other Similar products are found below :

[570-290-741P40](#) [570-290-751P40](#) [020417G](#) [020418E](#) [6R30A1B](#) [F600A3B](#) [80910030](#) [8601.2020](#) [G15A2SPQ](#) [9-3557-GP REV A](#) [HDJ-B](#)
[R6J30A3S](#) [HFH-1](#) [RF30A1S](#) [RF30A2B](#) [RF30A3SP](#) [15600-08-10](#) [BK/FHN19G](#) [BK/HHM](#) [BK/HKP-CCHH](#) [BK/HKP-JJ](#) [BK/HTJ-LES-](#)
[FUSE](#) [HMG-241](#) [HTJ-LES-FUSE](#) [C4044-1](#) [2086-1](#) [2193](#) [2602](#) [2650](#) [178.000100](#) [FHN31G1](#) [T30A2B](#) [G4PB8](#) [2660](#) [2799](#) [CQ-209V](#) [HKP-](#)
[CCHH](#) [R6F30A2S](#) [341001A](#) [345621A](#) [CVRMCC](#) [4202](#) [4407](#) [4408](#) [4413](#) [4423](#) [4532](#) [4537](#) [TSD1404-12](#) [BK/FHN31G1](#)