

# Type TFLF Automotive Fuse Link Female Terminals



www.optifuse.com (800) 621-0326

## Specifications:

Voltage: Up to 32VDC

Amperage: 20A, 30A, 40A, 50A, 60A, 70A, 80A

Current Cycling (Ambient temperature: 24°C):

The fuses satisfy the performance requirements after 50% of the rated current is applied for 10,000 Cycles. Each cycle consists of an interrupted current with the pattern of 5 min. On and 10 min. Off.

% Change in Fuse Current Carrying Capacity:

With change in ambient temperature: -0.075%/°C.

## Slow Blow Fuse Table:

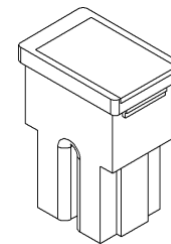
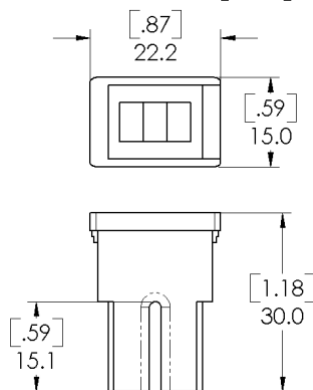
Part Number	Ampere Rating	Housing Color
TFLF-20A	20A	Light Blue
TFLF-30A	30A	Pink
TFLF-40A	40A	Green
TFLF-50A	50A	Red
TFLF-60A	60A	Yellow
TFLF-70A	70A	Brown
TFLF-80A	80A	Black

## Time-Current Characteristics:

(Ambient temperature: 24°C)

% of Ampere Rating	Operating Time	
	Minimum	Maximum
110%	10 Hours	----
200%	5 Sec.	100 Sec.
350%	0.2 Sec.	7 Sec.
600%	0.04 Sec.	1 Sec.

## Mechanical Dimensions: Inches[mm]



## Warning:



- Operation beyond the specified maximum ratings or improper use may result in damage and possible electrical arcing and/or flame.
- Device are intended for occasional overcurrent protection. Application for repeated overcurrent condition and/or prolonged trip are not anticipated.
- Avoid contact of device with chemical solvent. Prolonged contact will damage the device performance.

## X-ON Electronics

Largest Supplier of Electrical and Electronic Components

*Click to view similar products for [Automotive Fuses](#) category:*

*Click to view products by [Optifuse](#) manufacturer:*

Other Similar products are found below :

[HBO-10](#) [HBO-100](#) [HBO-150](#) [HBO-40](#) [HBO-50](#) [AFX-150](#) [AT-10](#) [AT-30](#) [AT-5](#) [ATM-10ID](#) [ATM-4LP](#) [ACL-50](#) [AFX-50](#) [299080](#) [HBO-15](#)  
[AT-20](#) [AT-3](#) [0287015](#) [142.7010.5502](#) [FMM-15](#) [0MIN015.HXGLO](#) [2010T1.25A250V](#) [0695030.PXPS](#) [0695040.PXPS](#) [0297003.WXT](#)  
[0MIN025.HXGLO](#) [0MIN030.HXGLO](#) [0695025.PXPS](#) [0695015.PXPS](#) [0695050.PXPS](#) [0695060.PXPS](#) [MRBF-075](#) [0200300](#) [02400106P](#)  
[0297002.WXT](#) [0297004.WXT](#) [0297010.WXT](#) [0297015.WXT](#) [0297020.WXT](#) [0297025.WXT](#) [0297030.WXT](#) [029707.5WXT](#) [0602925](#)  
[0602930](#) [0602935](#) [0602940](#) [0602950](#) [0602960](#) [0611100](#) [0611125](#)