

Type TMS-R Time Lag Micro Fuse Radial Leaded – Short Leaded

Designed to Meet UL Specification



www.optifuse.com (619) 593-5050

Agency Standards and Listings:



Voltage: 250V

Material

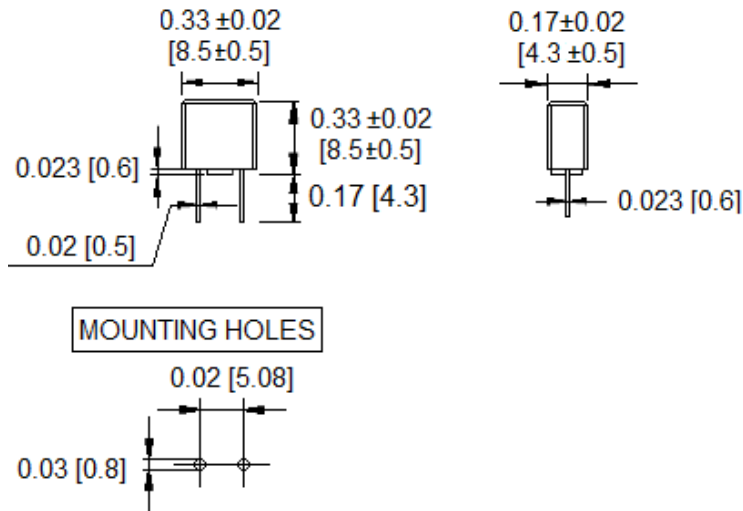
- Body:** Thermoplastic UL94V0
- Pin:** Copper Alloy, Tin plated
- Element:** Silver Alloy

Interrupt Ratings: 50A @ 250 VAC

Electrical Characteristics:

Rated Current	100%	200%
50mA-10A	Carry	60 s Max

Mechanical Dimensions: Inches [mm]



Cartridge Catalog Number	Ampere Rating	Voltage Rating	I ² T
TMS-R-50mA	50mA	250V	0.0056
TMS-R-60mA	60mA		0.0075
TMS-R-63mA	63mA		0.009
TMS-R-80mA	80mA		0.014
TMS-R-100mA	100mA		0.025
TMS-R-125mA	125mA		0.044
TMS-R-160mA	160mA		0.058
TMS-R-200mA	200mA		0.1
TMS-R-250mA	250mA		0.17
TMS-R-300mA	300mA		0.22
TMS-R-315mA	315mA		0.26
TMS-R-400mA	400mA		0.32
TMS-R-500mA	500mA		0.58
TMS-R-600mA	600mA		0.67
TMS-R-630mA	630mA		0.75
TMS-R-700mA	700mA		0.85
TMS-R-800mA	800mA		0.98
TMS-R-1A	1A		2.8
TMS-R-1.25A	1.25A		3.8
TMS-R-1.5A	1.5A		4.8
TMS-R-1.6A	1.6A	5.2	
TMS-R-2A	2A	7.5	
TMS-R-2.5A	2.5A	14	
TMS-R-3A	3A	19	
TMS-R-3.15A	3.15A	22	
TMS-R-3.5A	3.5A	24	
TMS-R-4A	4A	27	
TMS-R-5A	5A	59	
TMS-R-6.3A	6.3A	100	
TMS-R-7A	7A	122	
TMS-R-8A	8A	160	
TMS-R-10A	10A	220	

Warning:



- Operation beyond the specified maximum ratings or improper use may result in damage and possible electrical arcing and/or flame.
- Micro Fuse device are intended for occasional overcurrent protection. Application for repeated overcurrent condition and/or prolonged trip are not anticipated.
- Avoid contact of Micro Fuse device with chemical solvent. Prolonged contact will damage the device performance.

X-ON Electronics

Largest Supplier of Electrical and Electronic Components

Click to view similar products for [Fuses with Leads - Through Hole](#) category:

Click to view products by [Optifuse](#) manufacturer:

Other Similar products are found below :

[89096-013](#) [89096-015](#) [A170100400](#) [252010](#) [25202.5](#) [252.062](#) [263.500](#) [265.750](#) [272.005](#) [273.600V](#) [274.250](#) [SR-5H-5A-BK](#) [SS-5-800MA-AP](#) [SS-5F-3.15A-AP](#) [252004](#) [263.750](#) [273.005](#) [3701630000](#) [LKB-3](#) [0473004.MAT1L](#) [0473.750HAT1L](#) [0473001.HAT1L](#) [0473002.HAT1L](#) [0473.500HAT1L](#) [SS-5-1.6A-AP](#) [SS-5F-2.5A-AP](#) [SS-5-6.3A-BK](#) [SR-5H-4A-AP](#) [RST 5-AMMO](#) [SR-5H-3.15A-BK](#) [89096-005](#) [SR-5F-1-6A-BK](#) [SS-5FH-3.15A-AP](#) [SS-5-630MA-AP](#) [047301.5HAT1L](#) [SS-5H-1-25A-APH](#) [SR-5H-800MA-APH](#) [0034.722](#) [34.732](#) [MSF 4A 250V](#) [22D03-200](#) [883324G](#) [883220G](#) [883317G](#) [883217G](#) [883223G](#) [883322G](#) [883323G](#) [0263004.HAT1L](#) [0263.750HAT1L](#)