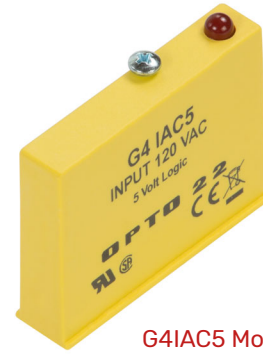


G4 DIGITAL AC INPUT MODULES

Features

- > 4000 volts optical isolation (transient)
- > Built-in LED status indicator
- > Small footprint design
- > Passes NEMA Showering Arc Test (ICS 2-230)
- > Meets IEEE Surge Withstand Specification (IEEE-472)
- > Built-in filtering for transient suppression and noise rejection
- > Operating temperature: -30 °C to 70 °C



G4IAC5 Module



G4IAC5MA Module

DESCRIPTION

Opto 22's G4 AC input modules are used to detect on/off AC (or DC) voltage levels. Each module provides up to 4000 volts of optical isolation (transient) between field inputs and the logic output of the circuit.

All AC input modules are designed with filtering on the input and a hysteresis amplifier, providing high noise rejection and transient-free "clean" switching.

The G4IAC5MA is a special module featuring a manual-on/ manual-off/automatic switch, ideal for diagnostic testing of control applications.

Typical applications for G4 input modules include sensing the presence or absence of voltage, and sensing contact closure from sources such as proximity switches, limit switches, float switches, selector switches, push buttons, toggle switches, and thermostats.

Compatible with Raspberry Pi

The following G4 digital AC input modules can be used with the Digital I/O Carrier Board for Raspberry Pi® (part number [OPTO-P1-40P](#)) to monitor and control industrial devices with your Raspberry Pi:

- G4IAC5
- G4IAC5A [OBSOLETE]
- G4IAC5L
- G4IAC5MA

Raspberry Pi® is a trademark of the Raspberry Pi Foundation.

Part Numbers

Part	Description
G4IAC5*	G4 AC Input 90–140 VAC/VDC, 5 VDC Logic
G4IAC5A*	G4 AC Input 180–280 VAC/VDC, 5 VDC Logic
G4IAC5L*	G4 AC Input 90–140 VAC/VDC, 5 VDC Logic, Low Input Impedance
G4IAC5MA*	G4 AC Input 90–140 VAC/VDC, 5 VDC Logic with Manual/Auto Switch
G4IAC15	G4 AC Input 90–140 VAC/VDC, 15 VDC Logic
G4IAC15A [OBSOLETE]	[OBSOLETE] G4 AC Input 180–280 VAC/VDC, 15 VDC Logic
G4IAC24	G4 AC Input 90–140 VAC/VDC, 24 VDC Logic
G4IAC24A	G4 AC Input 190–280 VAC/VDC, 24 VDC Logic

* Compatible with Raspberry Pi

SPECIFICATIONS

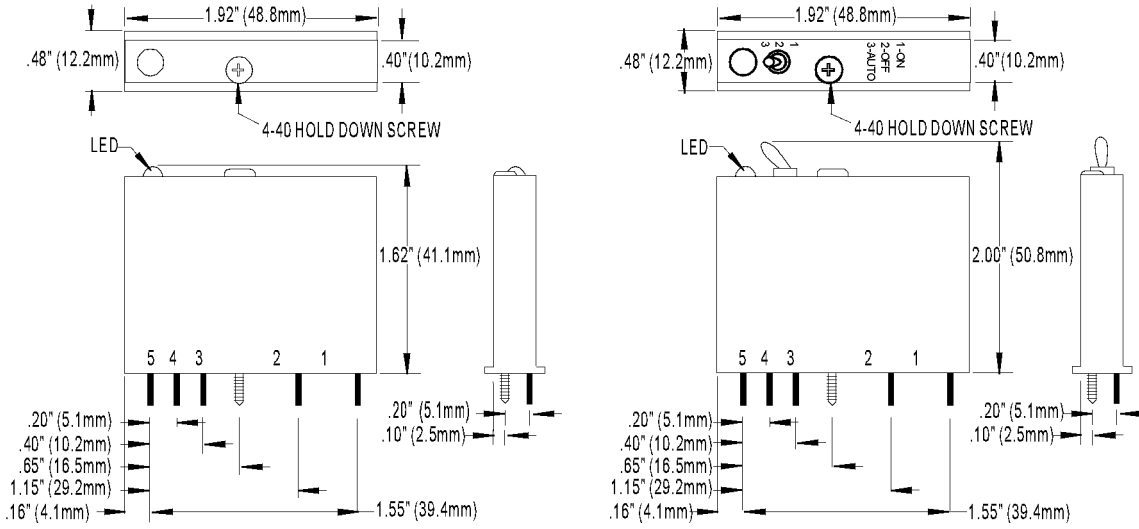
	Units	G4IAC5*	G4IAC5L*	G4IAC5A*	G4IAC5MA*
Input voltage range	VAC or VDC	90–140	90–140	180–280	90–140
Key feature	--	--	Low R in	--	Diagnostic switch
Input current at maximum line	mA	5	11	5	5
Isolation, input-to-output (transient):					
1 ms	V	4000	4000	4000	4000
1 minute	V	1500	1500	1500	1500
Turn-on time	ms	20	20	20	20
Turn-off time	ms	20	20	20	20
Input allowed for off-state	mA, V	1.4, 40	3, 45	0.7, 45	1.4, 40
Nominal output voltage supply	VDC	5	5	5	5
Output supply voltage range	VDC	4.5–6	4.5–6	4.5–6	4.5–6
Output supply current at nominal logic voltage	mA	12	12	12	12
Input resistance (R1 in schematic)	ohms	28 K	14 K	70K	28 K
Control resistance (R _c in schematic)	ohms	220	220	220	220
Output voltage drop	V @ 50 mA	0.4	0.4	0.4	0.4
Output current (sinking)	mA	50	50	50	50
Output leakage with no input	microamps @ 30 VDC	100	100	100	100
Transistor	V breakdown	30	30	30	30
Temperature					
Operating:	°C	-30 to +70	-30 to +70	-30 to +70	-30 to +70
Storage:	°C	-30 to +85	-30 to +85	-30 to +85	-30 to +85
Agency Approvals		UL, CE, CSA, RoHS; UKCA	UL, CE, CSA, RoHS; UKCA	UL, CE, CSA, RoHS; UKCA	UL, CSA, CE; UKCA

* Compatible with Raspberry Pi

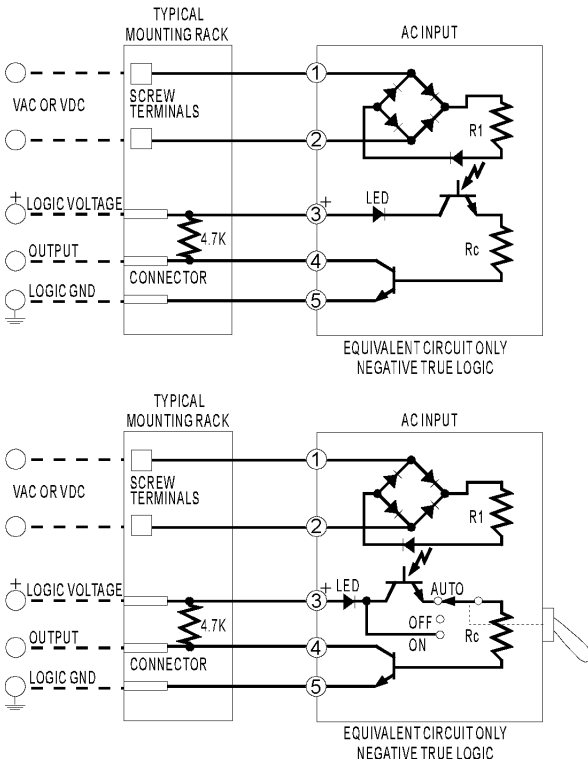
SPECIFICATIONS (CONTINUED)

	Units	G4IAC15*	G4IAC15A* [OBSOLETE]	G4IAC24*	G4IAC24A*
Input voltage range	VAC or VDC	90–140	180–280	90–140	180–280
Key feature	--	--	--	--	--
Input current at maximum line	mA	5	5	5	5
Isolation, input-to-output (transient):					
1 ms	V	4000	4000	4000	4000
1 minute	V	1500	1500	1500	1500
Turn-on time	ms	20	20	20	20
Turn-off time	ms	20	20	20	20
Input allowed for off-state	mA, V	1.4, 40	0.7, 45	1.4, 40	0.7, 45
Nominal output supply voltage	VDC	15	15	24	24
Output supply voltage range	VDC	12–18	12–18	20–30	20–30
Output supply current at nominal logic voltage	mA	15	15	15	15
Input resistance (R1 in schematic)	ohms	28 K	70 K	28 K	70 K
Control resistance (Rc in schematic)	ohms	1 K	1 K	2.2 K	2.2 K
Output voltage drop	V @ 50 mA	0.4	0.4	0.4	0.4
Output current (sinking)	mA	50	50	50	50
Peak repetitive voltage	VAC	500	500	500	500
Output leakage with no input	microamps @ 30 VDC	100	100	100	100
Transistor	V breakdown	30	30	30	30
Temperature					
Operating:	°C	-30 to +70	-30 to +70	-30 to +70	-30 to +70
Storage:	°C	-30 to +85	-30 to +85	-30 to +85	-30 to +85
Agency Approvals		UL, CSA, CE; UKCA	UL, RoHS, CSA, CE; UKCA	UL, CSA, CE; UKCA	UL, CSA, CE; UKCA
* Not for use with Opto 22 brains.					

DIMENSIONS



SCHEMATICS



PRODUCTS

Opto 22 develops and manufactures reliable, easy-to-use, open standards-based hardware and software products. Industrial automation, process control, remote monitoring, data acquisition, and industrial internet of things (IIoT) applications worldwide all rely on Opto 22.

groov RIO®

groov RIO edge I/O offers a single, compact, PoE-powered industrial package with web-based configuration and IIoT software built in, support for multiple OT and IT protocols, and security features like a device firewall, data encryption, and user account control.

Standing alone, groov RIO connects to sensors, equipment, and legacy systems, collecting and securely publishing data from field to cloud. Choose a universal I/O model with thousands of possible field I/O configurations, with or without Ignition from Inductive Automation®, or a RIO EMU energy monitoring unit that reports 64 energy data values from 3-phase loads up to 600 VAC, Delta or Wye.

You can even write an IEC 61131-3 compliant control program to run on groov RIO, using CODESYS. You can also use groov RIO with a Modbus/TCP master or as remote I/O for a groov EPIC system.

groov EPIC® System

Opto 22's groov Edge Programmable Industrial Controller (EPIC) system gives you industrially hardened control with a flexible Linux®-based processor with gateway functions, guaranteed-for-life I/O, and software for your automation and IIoT applications.

groov EPIC Processor

The heart of the system is the groov EPIC processor. It handles a wide range of digital, analog, and serial functions for data collection, remote monitoring, process control, and discrete and hybrid manufacturing.

In addition, the EPIC provides secure data communications among physical assets, control systems, software applications, and online services, both on premises and in the cloud. No industrial PC needed.

Configuring and troubleshooting I/O and networking is easier with the EPIC's integrated high-resolution color touchscreen. Authorized users can manage the system locally on the touchscreen, on a monitor connected via the HDMI or USB ports, or on a PC or mobile device with a web browser.

groov EPIC I/O

groov I/O connects locally to sensors and equipment. Modules have a spring-clamp terminal strip, integrated wireway, swing-away cover, and LEDs indicating module health and discrete channel status. groov I/O is hot swappable, UL Hazardous Locations approved, and ATEX compliant.

groov EPIC Software

The groov EPIC processor comes ready to run the software you need:

- Programming: Choose flowchart-based PAC Control, CODESYS Development System for IEC61131-3 compliant programs, or secure shell access (SSH) to the Linux OS for custom applications
- Node-RED for creating simple IIoT logic flows from pre-built nodes
- Efficient MQTT data communications with string or Sparkplug data formats
- Multiple OPC UA server options
- HMI: groov View to build your own HMI viewable on touchscreen, PCs, and mobile devices; PAC Display for a

Windows HMI; Node-RED dashboard UI

- Ignition or Ignition Edge® from Inductive Automation (requires license purchase) with OPC-UA drivers to Allen-Bradley®, Siemens®, and other control systems, and MQTT communications

Older products

From solid state relays, to world-famous G4 and SNAP I/O, to SNAP PAC controllers, older Opto 22 products are still supported and working hard at thousands of installations worldwide. You can count on us for the reliability and service you expect, now and in the future.

QUALITY

Founded in 1974, Opto 22 has established a worldwide reputation for high-quality products. All are made in the U.S.A. at our manufacturing facility in Temecula, California.

Because we test each product twice before it leaves our factory rather than testing a sample of each batch, we can afford to guarantee most solid-state relays and optically isolated I/O modules for life.

FREE PRODUCT SUPPORT

Opto 22's California-based Product Support Group offers free technical support for Opto 22 products from engineers with decades of training and experience. Support is available in English and Spanish by phone or email, Monday–Friday, 7 a.m. to 5 p.m. PST.

Support is always available on our website, including [free online training](#) at OptoU, how-to [videos](#), [user's guides](#), the Opto 22 KnowledgeBase, and [OptoForums](#).

PURCHASING OPTO 22 PRODUCTS

Opto 22 products are sold directly and through a worldwide network of distributors, partners, and system integrators. For more information, contact Opto 22 headquarters at **800-321-6786** (toll-free in the U.S. and Canada) or **+1-951-695-3000**, or visit our website at www.opto22.com.



X-ON Electronics

Largest Supplier of Electrical and Electronic Components

Click to view similar products for [I/O Modules](#) category:

Click to view products by [Opto 22](#) manufacturer:

Other Similar products are found below :

[70L-OAC-L](#) [G21960000700](#) [G34960002700](#) [G88104401](#) [IDC-5B](#) [OACU](#) [C4SWOUT](#) [FC6A-T32K3](#) [SNAP-OAC5MA](#) [FC6A-N16B3](#)
[FC6A-N32B3](#) [FC6A-T16P3](#) [G3TAOD201SDC24](#) [PB32HQ](#) [PB16T](#) [PB8](#) [PB8H](#) [C200H-OD211](#) [GT1-AD04CST](#) [GT1-DA04](#) [70GRCQ24-](#)
[HS](#) [M-OAC5](#) [G4OAC24AMA](#) [2736505](#) [6202](#) [6402](#) [IL MOD BK DI8 DO4-PAC](#) [FC6A-J2C1](#) [FC6A-KC1C](#) [FC6A-N08A11](#) [FC6A-M24BR1](#)
[FC6A-K4A1](#) [FC6A-T32P3](#) [9-1393028-2](#) [GP32900003700](#) [641-480-5022](#) [PB16H](#) [WISE-4050/LAN-B](#) [WISE-S614T-A](#) [ADAM-4068-C](#)
[56475](#) [ADAM-4017+-F](#) [ADAM-4118-C](#) [AMAX-4856-B](#) [WISE-4050-B](#) [ADAM-4051-C](#) [ADAM-4053-F](#) [GT1-AD08MX](#) [TM5SDO6TBFS](#)
[70Q3446](#)