

SNAP ANALOG OUTPUT MODULES

Features

- > Resolution = 0.004% of nominal range
- > Rugged packaging
- > Convenient pluggable wiring
- > Powered by a single 5-volt supply
- > Factory calibrated; no user adjustment necessary
- > Out-of-range indication
- > Operating temperature -20 °C to 70 °C
- > Accepts up to 22 to 14 AWG wire

DESCRIPTION

SNAP analog output modules are part of Opto 22's SNAP PAC System. They mount on SNAP PAC racks along with other I/O modules and a SNAP PAC brain or R-series controller.

These software-configurable output modules handle a wide variety of signal levels. Most provide dual-channel packaging. All SNAP analog modules are factory calibrated.

SNAP analog output modules have an on-board microprocessor to provide module-level intelligence, which makes them an ideal choice for Original Equipment Manufacturers (OEMs). For additional information about the stand-alone operation of SNAP analog modules, please refer to the [SNAP I/O Module Integration Guide](#) (form 0876).

SNAP racks have a retention rail locking system. Use two 4-40 by ½-inch standard machine screws to hold each module securely in position on the SNAP rack.

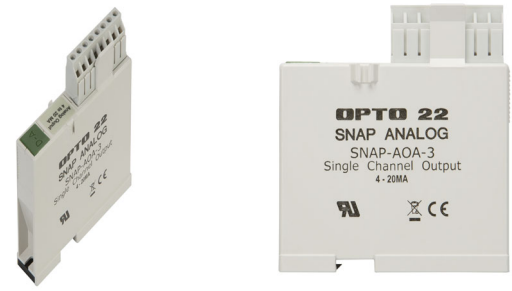
Specifications and wiring diagrams are in module descriptions starting on [page 2](#). Dimensional drawings begin on [page 13](#).

Notes for legacy hardware: Most SNAP analog output modules can also be used with legacy SNAP Simple, SNAP Ethernet, and SNAP Ultimate brains and with serial SNAP brains such as the B3000. These modules can be mounted on SNAP B-series or M-series racks. Exceptions are noted in individual module descriptions.

Isolation

All SNAP analog output modules are isolated from all other modules and from the I/O processor (SNAP PAC brain or on-the-rack controller). On most dual-channel modules, the two channels are *not* isolated from each other. Exceptions: SNAP-AOA-23-iSRC, SNAP-AOD-29, and SNAP-AOD-29-HFi have two isolated channels.

Transformer isolation prevents ground loop currents from flowing between field devices and causing noise that produces erroneous



SNAP Analog Output Modules

readings. Ground loop currents are caused when two grounded field devices share a connection, and the ground potential at each device is different.

Isolation also provides protection for sensitive control electronics from industrial field signals.

IMPORTANT: Since most SNAP dual-channel analog output modules provide two single-ended output channels with a common reference, these dual channels are transformer and optically isolated from other modules, but not from each other. However, SNAP-AOA-23-iSRC, SNAP-AOD-29, and SNAP-AOD-29-HFi do have channel-to-channel isolation.

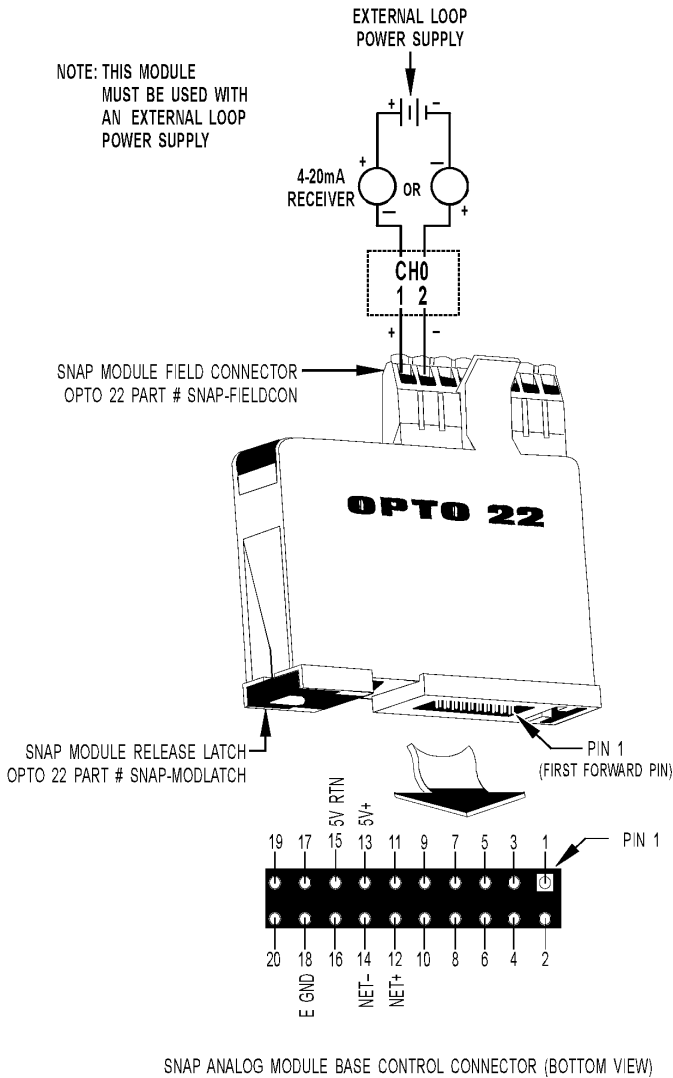
Part Numbers

Part	Description	See
SNAP-AOA-23	Dual-channel analog output, current loop, 4–20mA	pg 4
SNAP-AOA-23-iSRC	Isolated dual-channel analog output, current loop, 4–20 mA, with loop sourcing	pg 5
SNAP-AOA-28	Dual-channel analog output, current loop, 0–20 mA	pg 8
SNAP-AOA-3	Single-channel current output, 4–20mA	pg 2
SNAP-AOD-29	Isolated dual-channel analog time-proportional digital output, 5 to 60 VDC	pg 9
SNAP-AOD-29-HFi	Isolated dual-channel analog TPO or PWM digital output, 2.5 to 24 VDC	pg 10
SNAP-AOV-25	Dual-channel analog voltage output, 0 to 10 VDC	pg 6
SNAP-AOV-27	Dual-channel analog voltage output, -10 to +10 VDC	pg 7
SNAP-AOV-5	Single-channel analog voltage output, 0 to 10 VDC	pg 3
SNAP-AOVA-8	8-channel analog multifunction output, voltage or current	pg 11

SINGLE-CHANNEL CURRENT OUTPUT 4–20 mA

Description

The SNAP-AOA-3 module provides a single channel of transformer and optically-isolated digital to analog conversion. The module has a true differential (floating) output that eliminates ground loops and has a nominal output range of 4 mA to 20 mA.



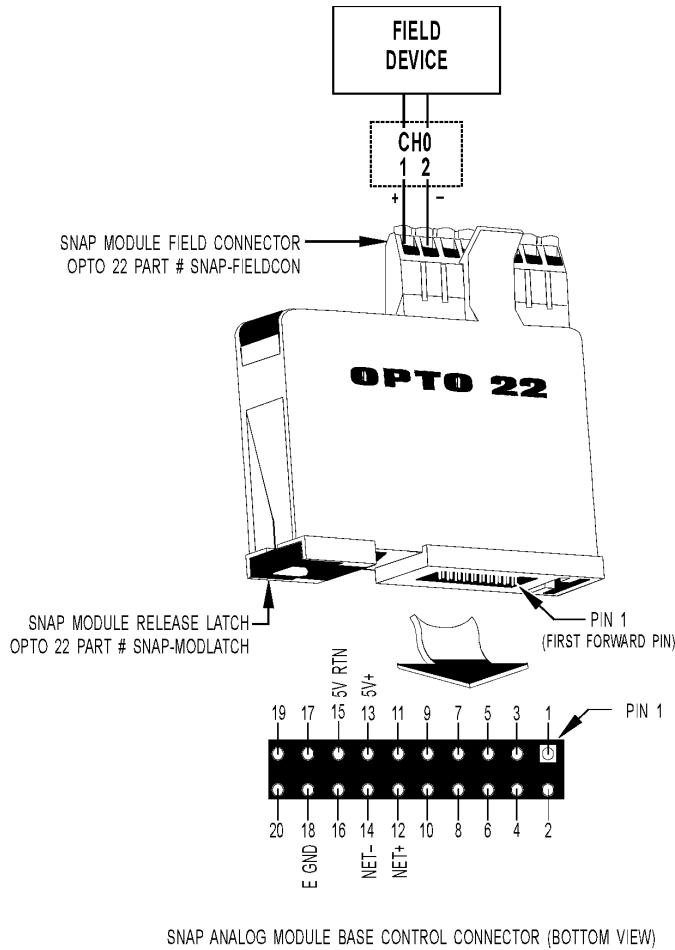
IMPORTANT: The mounting rack connector has 24 pins; the module connector has 20 pins. The extra pins on the mounting rack connector prevent misalignment of the module during installation.

Part Number	Description
SNAP-AOA-3	Single-channel analog output 4–20 mA

Specifications:

Input	12-bit serial data								
Output	4 to 20 mA (floating)								
Span	16 mA								
Resolution	3.9 microamps								
Response Time (% of span/delta I/ delta time)	99.9%/15.98 mA/3 mS								
DC Common Mode Rejection	>-120 dB								
AC Common Mode Rejection	>-120 dB @ 60 Hz								
Maximum Operating Common Mode Voltage	250 V								
Common Mode Resistance	>1000 M W								
Accuracy	0.1% of span								
Gain Temperature Coefficient	50 PPM/ °C								
Offset Temperature Coefficient	20 PPM/ °C								
Module Power Requirements	5 Volts DC (±0.15) @ 140 mA								
Loop Power Requirements	10 Volts DC (min) to 32 Volts DC (max)								
Max. Loop Resistance (Ohms) @ Loop Supply	<table border="1"> <tr> <td>250</td> <td>350</td> <td>950</td> <td>1350</td> </tr> <tr> <td>10V</td> <td>12V</td> <td>24V</td> <td>32V</td> </tr> </table>	250	350	950	1350	10V	12V	24V	32V
250	350	950	1350						
10V	12V	24V	32V						
Max. Loop Resistance formula	$\frac{(\text{Loop Voltage} - 5)}{0.02}$								
Ambient Temperature: Operating	-20 °C to 70 °C								
Storage	-40 °C to 85 °C								
Humidity	5-95%, non-condensing								
Torque, hold-down screws	Not to exceed 1 in-lb (0.11 N-m)								
Torque, connector screws	5.22 in-lb (0.59 N-m)								
Wire size range	22 to 14 AWG								
Agency Approvals	UL, CE, RoHS, DFARS; UKCA								
Warranty	Lifetime								

SINGLE-CHANNEL VOLTAGE OUTPUT 0-10 VDC



IMPORTANT: The mounting rack connector has 24 pins; the module connector has 20 pins. The extra pins on the mounting rack connector prevent misalignment of the module during installation.

Part Number	Description
SNAP-AOV-5	Single-channel analog output voltage 0 to 10 VDC

Description

The SNAP-AOV-5 module provides a single channel of transformer and optically-isolated digital to analog conversion. The module has a true differential (floating) output that eliminates ground loops and has a nominal output range of 0 VDC to +10 VDC.

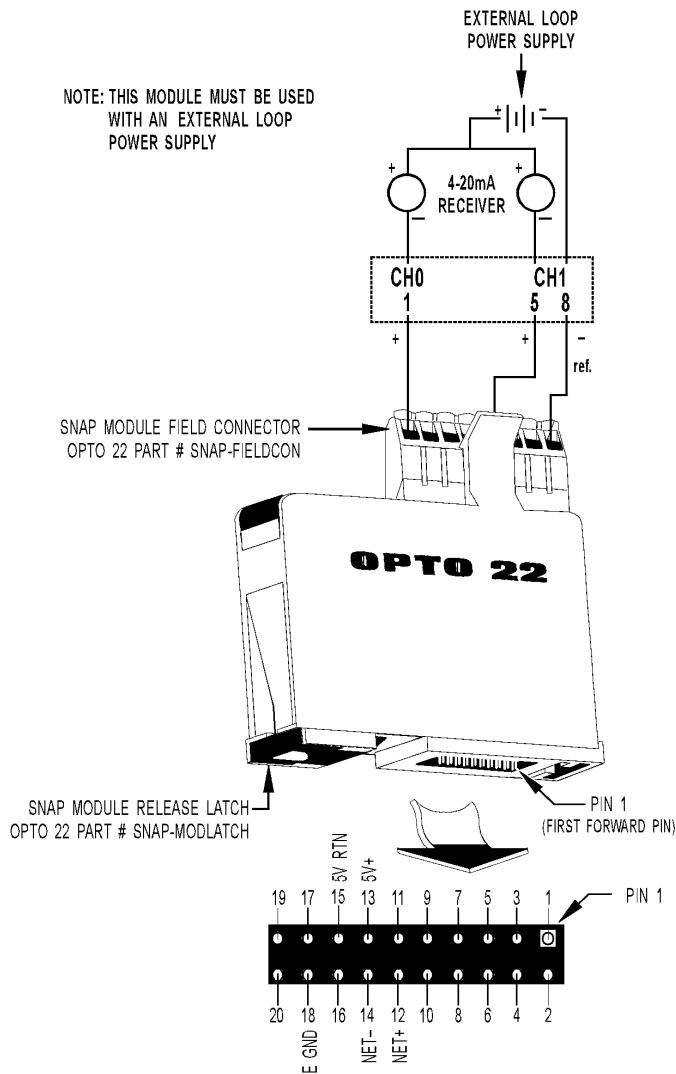
Specifications:

Input	12-bit serial data
Output	0 to +10 Volts DC (floating)
Span	10 Volt span
Resolution	2.44 mV
Response Time (% of span/delta V/delta time)	99.9%/19.98 V/3 mS
DC Common Mode Rejection	>-120 dB
AC Common Mode Rejection	>-120 dB @ 60 Hz
Maximum Operating Common Mode Voltage	250 V
Common Mode Resistance	>1000 Megohms
Load Current	10 mA (floating)
Short Circuit Current Continuous	125 mA (typical)
Accuracy	0.1% of span
Gain Temperature Coefficient	50 PPM/°C
Offset Temperature Coefficient	20 PPM/°C
Power Requirements	5 Volts DC @ 150 mA
Ambient Temperature:	
Operating	-20 °C to 70 °C
Storage	-40 °C to 85 °C
Humidity	5-95%, non-condensing
Torque, hold-down screws	Not to exceed 1 in-lb (0.11 N-m)
Torque, connector screws	5.22 in-lb (0.59 N-m)
Wire size range	22 to 14 AWG
Agency Approvals	UL, CE, RoHS, DFARS, UKCA
Warranty	Lifetime

DUAL-CHANNEL CURRENT OUTPUT 4–20 mA

Description

The SNAP-AOA-23 module provides a nominal output range of 4 mA to 20 mA. An external loop power source is required for the current loops. Note that the two channels share common reference terminals. Common reference terminals are 3, 4, 7, and 8.



SNAP ANALOG MODULE BASE CONTROL CONNECTOR (BOTTOM VIEW)

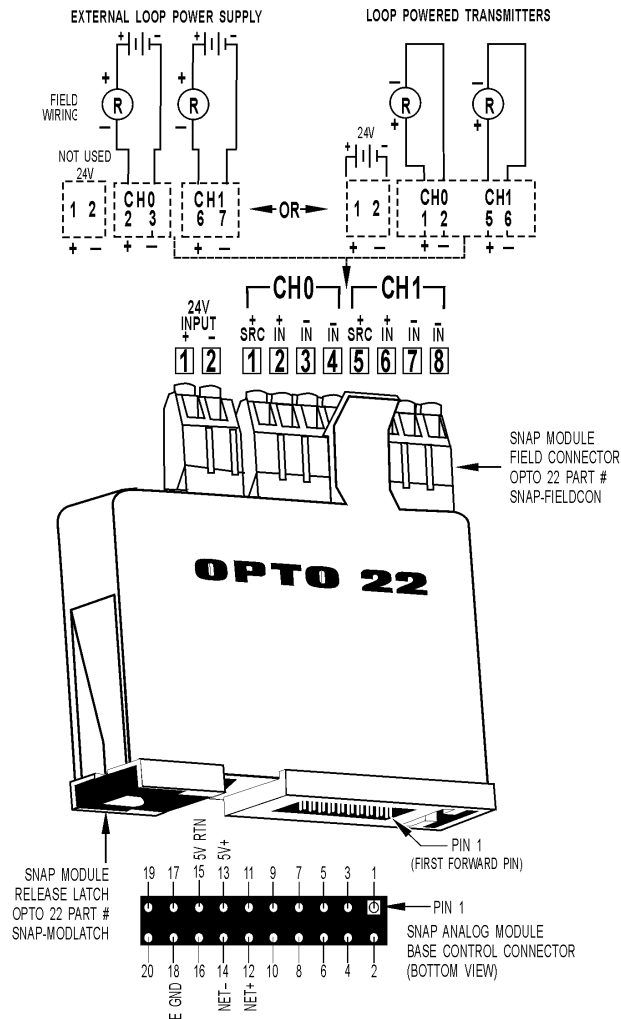
IMPORTANT: The mounting rack connector has 24 pins; the module connector has 20 pins. The extra pins on the mounting rack connector prevent misalignment of the module during installation.

Part Number	Description
SNAP-AOA-23	Dual-channel analog output current loop 4–20 mA

Specifications:

Input	12-bit serial data (each channel)				
Outputs	4 to 20 mA (each channel)				
Span	16 mA				
Resolution	3.9 microamps				
Response Time (% of span/delta I / delta time)	99.9%/15.98 mA/3 mS				
DC Common Mode Rejection	>-120 dB				
AC Common Mode Rejection	>-120 dB @ 60 Hz				
Maximum Operating Common Mode Voltage	250 V				
Common Mode Resistance	>1000 Megohms				
Accuracy	0.1% of Span				
Gain Temperature Coefficient	50 PPM/°C				
Offset Temperature Coefficient	20 PPM/°C				
Module Power Requirements	5 Volts DC (±0.15) @ 150 mA				
Loop Power Requirements	8 VDC (min) to 32 Volts DC (max)				
Max. Loop Resistance (Ohms) @ Loop Supply	250 8V	450 12V	650 15V	1050 24V	1450 32V
Max. Loop Resistance formula	$\frac{(\text{Loop Voltage} - 3)}{0.02}$				
Ambient Temperature:					
Operating	-20 °C to 70 °C				
Storage	-40 °C to 85 °C				
Humidity	5-95%, non-condensing				
Torque, connector screws	5.22 in-lb (0.59 N-m)				
Wire size range	22 to 14 AWG				
Agency Approvals	UL, CE, RoHS, DFARS; UKCA, NEBS				
Warranty	Lifetime				

ISOLATED DUAL-CHANNEL CURRENT OUTPUT 4-20 MA



IMPORTANT: The mounting rack connector has 24 pins; the module connector has 20 pins. The extra pins on the mounting rack connector prevent misalignment of the module during installation.

Description

The SNAP-AOA-23-iSRC module provides a nominal output range of 4 mA to 20 mA. These modules include built-in loop sourcing capability.

With the connection of a single 24 V power supply, these modules source two 24 V loops. The loop sources are internally connected to the individual outputs.

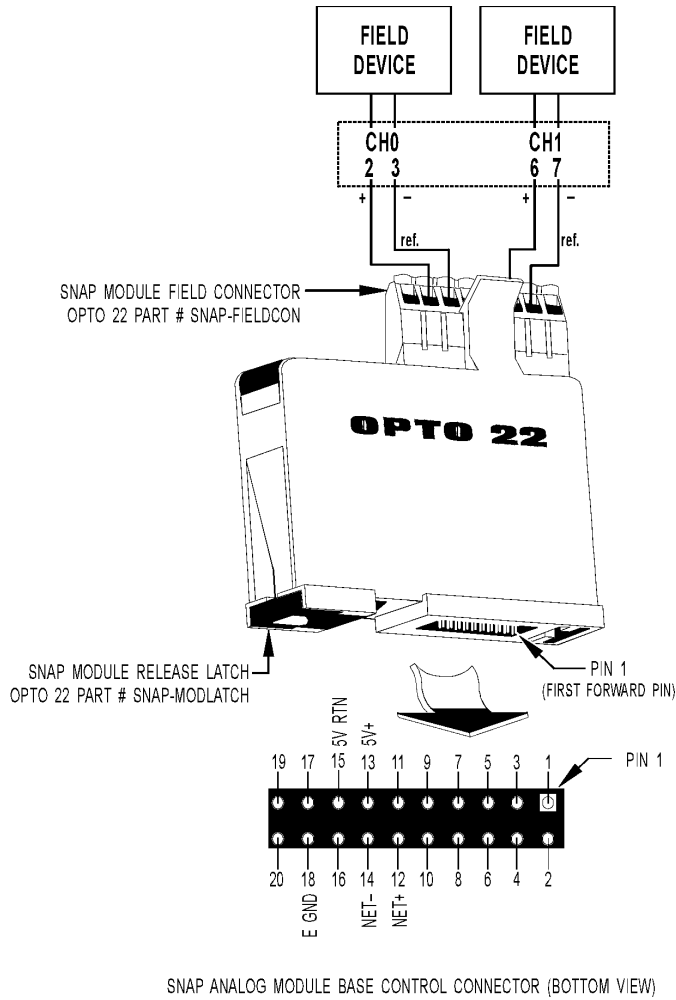
The two channels and their loop sources are isolated from each other; they do not share any field connection. In addition, each loop source is current limited so that an external fault on one loop will not affect the other.

Part Number	Description
SNAP-AOA-23-iSRC	Isolated dual-channel analog 4-20 mA output with loop sourcing

Specifications:

Input	12-bit serial data (each channel)
Outputs	4 to 20 mA (each channel)
Span	16 mA
Resolution	3.9 microamps
Response Time (% of span/delta I / delta time)	99.9%/15.98 mA/3 mS
DC Common Mode Rejection	>-120 dB
AC Common Mode Rejection	>-120 dB @ 60 Hz
Maximum Operating Common Mode Voltage	250 V
Common Mode Resistance	>1000 Megohms
Accuracy	0.1% of Span
Gain Temperature Coefficient	50 PPM/°C
Offset Temperature Coefficient	20 PPM/°C
Max. Loop Resistance @ Loop Supply	950 Ohms
Ambient Temperature: Operating	-20 °C to 70 °C
Storage	-40 °C to 85 °C
Humidity	5-95%, non-condensing
Isolation: Optical	4000 V
Isolation: Transformer	1500 V
Isolation: Channel to Channel	250 V continuous (1500 V transient)
Power Requirements	5 Volts DC (±0.15) @ 200 mA
Power Requirements - Loop Power (Input)	From separate field connector; 24 VDC nominal (70 mA max) @ 24 V input, both loops @ 20 mA), 30 VDC maximum
Loop Power (Output)	24 VDC (±1.5 V) @ 20 mA Open loop: 30 V maximum Shorted loop: 24 mA nominal
LED on top of module	Indicates that there is power to the 24V source supply 2-pin connector
Agency Approvals	CE, RoHS, DFARS, UKCA
Torque, hold-down screws	Not to exceed 1 in-lb (0.11 N-m)
Torque, connector screws	5.22 in-lb (0.59 N-m)
Wire size range	22 to 14 AWG
Warranty	Lifetime

DUAL-CHANNEL VOLTAGE OUTPUT 0-10 VDC



IMPORTANT: The mounting rack connector has 24 pins; the module connector has 20 pins. The extra pins on the mounting rack connector prevent misalignment of the module during installation.

Part Number	Description
SNAP-AOV-25	Dual-channel analog output voltage 0 to 10 VDC

Description

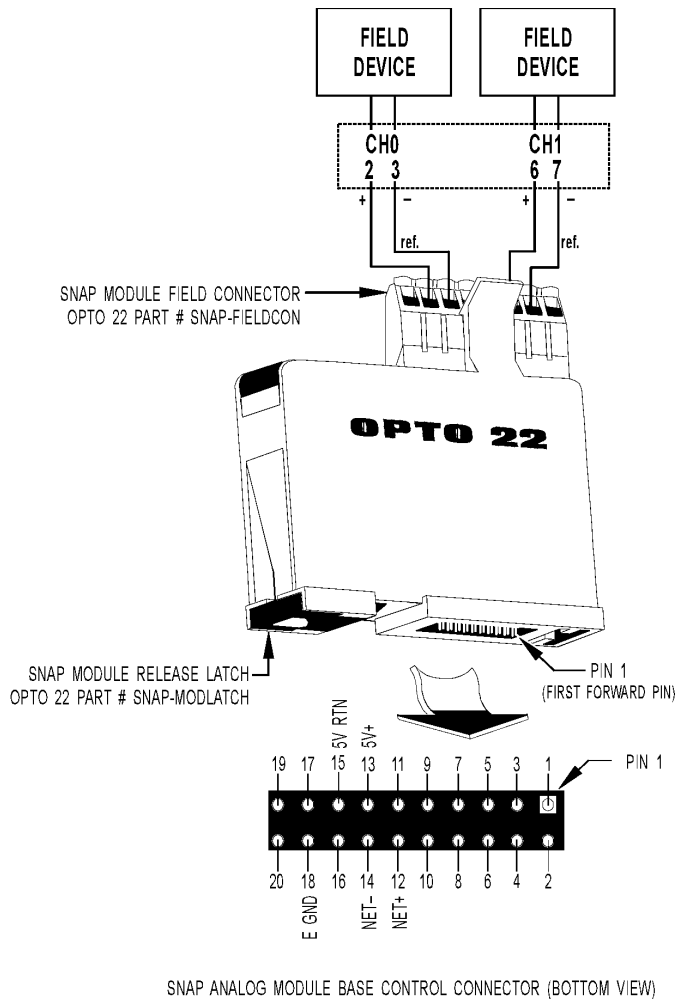
The SNAP-AOV-25 module provides a nominal output range of 0 to +10 volts. Each channel can supply +5 mA of load current.

NOTE: Both channels share a common reference terminal.

Specifications:

Input	12-bit serial data (each channel)
Outputs	0 to +10 Volts DC
Span	10 Volts
Resolution	2.44 mV
Response Time (% of span/delta V/delta time)	99.9%/19.98 V/3 mS
DC Common Mode Rejection	>-120 dB
AC Common Mode Rejection	>-120 dB @ 60 Hz
Maximum Operating Common Mode Voltage	250 V
Common Mode Resistance	>1,000 Megohms
Load Current (nominal)	5 mA (each channel)
Short Circuit Output Current Continuous	40 mA per channel
Accuracy	0.1% of Span
Gain Temperature Coefficient	50 PPM/°C
Offset Temperature Coefficient	20 PPM/°C
Isolation	1500 V
Power Requirements	5 Volts DC (±0.15) @ 150 mA
Ambient Temperature:	
Operating	-20 °C to 70 °C
Storage	-40 °C to 85 °C
Humidity	5-95%, non-condensing
Torque, hold-down screws	Not to exceed 1 in-lb (0.11 N-m)
Torque, connector screws	5.22 in-lb (0.59 N-m)
Wire size range	22 to 14 AWG
Agency Approvals	UL, CE, RoHS, DFARS; UKCA, NEBS
Warranty	Lifetime

DUAL-CHANNEL VOLTAGE OUTPUT -10 TO +10 VDC



IMPORTANT: The mounting rack connector has 24 pins; the module connector has 20 pins. The extra pins on the mounting rack connector prevent misalignment of the module during installation.

Part Number	Description
SNAP-AOV-27	Dual-channel analog voltage output -10 VDC to +10 VDC

Description

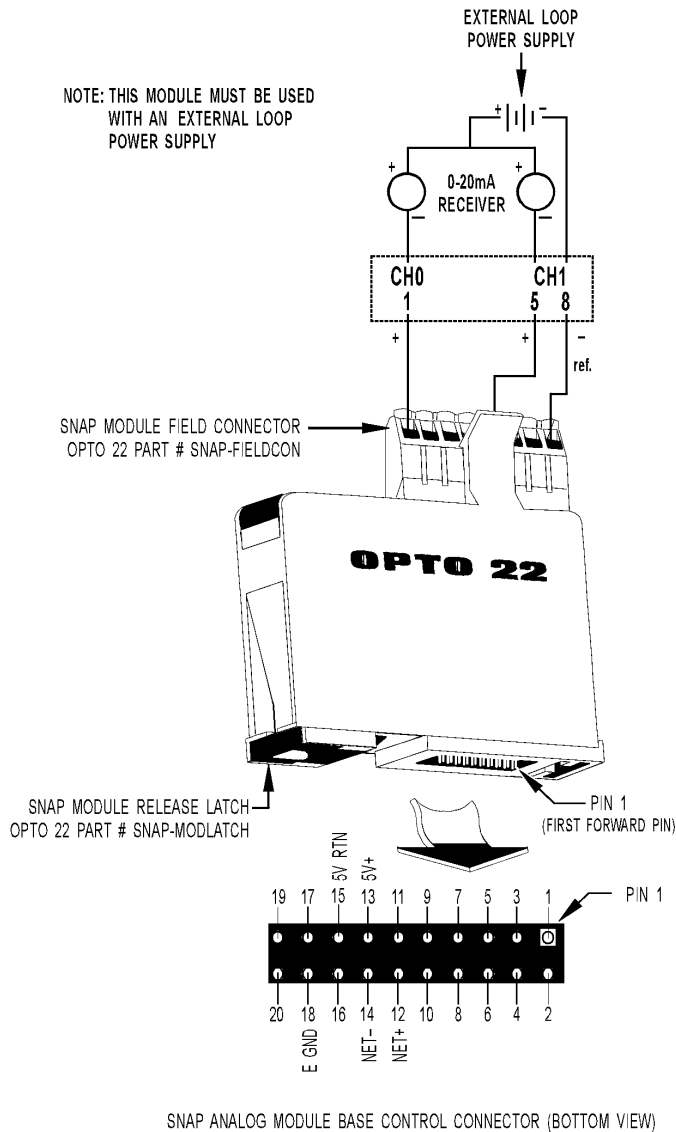
The SNAP-AOV-27 module provides a nominal output range of -10 to +10 volts. Each channel can supply ± 5 mA of load current.

NOTE: Both channels share a common reference terminal.

Specifications:

Input	12-bit serial data (each channel)
Outputs	-10 to +10 Volts DC
Span	20 Volts
Resolution	4.88 mV
Response Time (% of span/delta V/delta time)	99.9%/19.98 V/3 mS
DC Common Mode Rejection	>-120 dB
AC Common Mode Rejection	>-120 dB @ 60 Hz
Maximum Operating Common Mode Voltage	250 V
Common Mode Resistance	>1,000 Megohms
Load Current (nominal)	5 mA (each channel)
Short Circuit Output Current Continuous	40 mA per channel
Accuracy	0.1% of Span
Gain Temperature Coefficient	50 PPM/°C
Offset Temperature Coefficient	20 PPM/°C
Power Requirements	5 Volts DC (± 0.15) @ 150 mA
Ambient Temperature: Operating	-20 °C to 70 °C
Storage	-40 °C to 85 °C
Humidity	5-95%, non-condensing
Torque, hold-down screws	Not to exceed 1 in-lb (0.11 N-m)
Torque, connector screws	5.22 in-lb (0.59 N-m)
Wire size range	22 to 14 AWG
Agency Approvals	UL, CE, RoHS, DFARS; UKCA
Warranty	Lifetime

DUAL-CHANNEL CURRENT OUTPUT 0–20 mA



IMPORTANT: The mounting rack connector has 24 pins; the module connector has 20 pins. The extra pins on the mounting rack connector prevent misalignment of the module during installation.

Part Number	Description
SNAP-AOA-28	Dual-channel analog output current loop 0–20 mA

Description

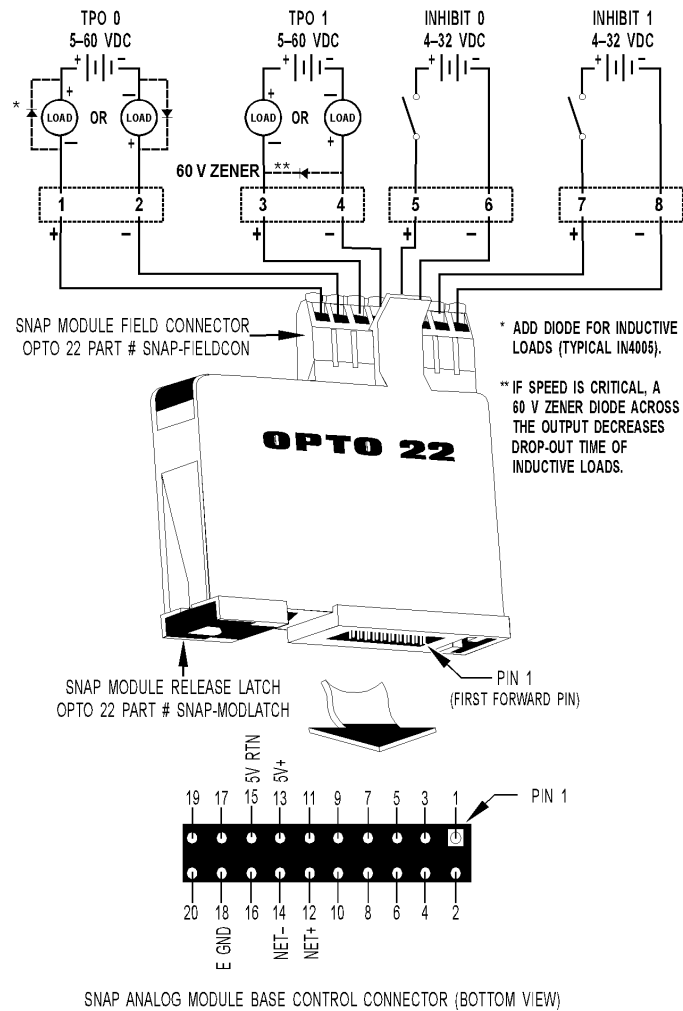
The SNAP-AOA-28 module provides a nominal output range of 0 mA to 20 mA. An external loop power source is required for the current loops.

NOTE: The two channels share a common reference terminal.

Specifications:

Input	12-bit serial data (each channel)				
Outputs	0 to 20 mA (each channel)				
Span	20 mA				
Resolution	4.9 microamps				
Response Time (% of span/delta I / delta time)	99.9%/15.98 mA/3 mS				
DC Common Mode Rejection	>-120 dB				
AC Common Mode Rejection	>-120 dB @ 60 Hz				
Maximum Operating Common Mode Voltage	250 V				
Common Mode Resistance	>1000 Megohms				
Accuracy	0.1% of Span				
Gain Temperature Coefficient	50 PPM/°C				
Offset Temperature Coefficient	20 PPM/°C				
Module Power Requirements	5 Volts DC (±0.15) @ 150 mA				
Loop Power Requirements	8 Volts DC (min) to 32 Volts DC (max)				
Max. Loop Resistance (Ohms) @ Loop Supply	250 8V	450 8V	650 12V	1050 24V	1450 32V
Max. Loop Resistance formula	$\frac{(\text{Loop Voltage} - 5)}{0.02}$				
Ambient Temperature:					
Operating	-20 °C to 70 °C				
Storage	-40 °C to 85 °C				
Humidity	5-95%, non-condensing				
Torque, connector screws	5.22 in-lb (0.59 N-m)				
Wire size range	22 to 14 AWG				
Agency Approvals	UL, CE, ATEX, RoHS, DFARS; UKCA				
Warranty	Lifetime				

DUAL-CHANNEL TIME-PROPORTIONAL OUTPUT VOLTAGE 5-60 VDC



IMPORTANT: The mounting rack connector has 24 pins; the module connector has 20 pins. The extra pins on the mounting rack connector prevent misalignment of the module during installation.

Description

The SNAP-AOD-29 module provides two channels of time-proportional output (TPO). The outputs are used to switch or control DC loads such as lamps or indicators, solenoids, relay coils, and PLC logic. Each TPO channel can switch 0.5 A of load current ranging from 5 VDC to 60 VDC, over a period range of .25 seconds to 64.25 seconds.

Part Number	Description
SNAP-AOD-29	Isolated dual-channel analog Time-proportional digital output 5 to 60 VDC

Both TPO channels also have individual “inhibit” inputs dedicated to turning off the output, a useful feature in temperature and interlock control applications. The channels are optically isolated from each other.

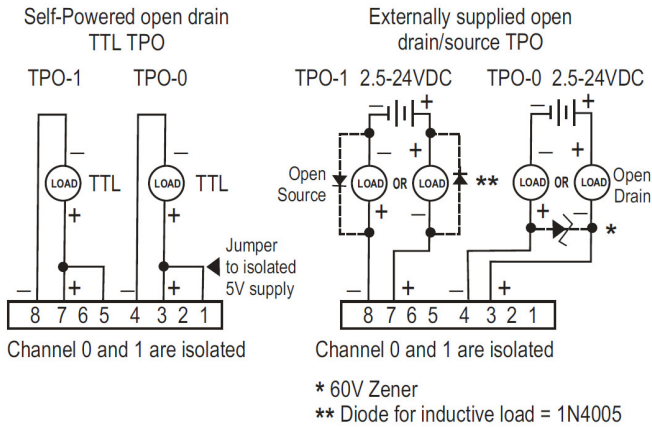
NOTE: The SNAP-AOD-29 module cannot be used in a SNAP PAC IO4AB system. Instead, use the built-in TPO functionality available on all SNAP-PAC brains that support IO4AB.

Specifications:

Input	12-bit serial data (each channel)
Switched Output	5 to 60 Volts DC at 45 °C Ambient 0.5 A at 70 °C Ambient 0.2 A
TPO Resolution	12-bit. Each bit = Period/4095 1 millisecond/bit default
Period Range	0.251 sec. to 64.25 sec. (0.251 sec for Ethernet-based I/O units) 0.251 seconds module default
Period Accuracy	± 0.5%
Period Resolution	.251 second
Inhibit Inputs	
On	4.0 Volts DC at 1.0 mA (32 Volts DC max.)
Off	1.0 Volt DC
Maximum Operating Common Mode Voltage	250 V
Common Mode Resistance	>1,000 Megohms
Timebase Temperature Coefficient	50 PPM/°C
Power Requirements	5 Volts DC (±0.15) @ 150 mA
Ambient Temperature:	
Operating	-20 °C to 70 °C
Storage	-40 °C to 85 °C
Humidity	5-95%, non-condensing
Torque, hold-down screws	Not to exceed 1 in-lb (0.11 N-m)
Torque, connector screws	5.22 in-lb (0.59 N-m)
Wire size range	22 to 14 AWG
Agency Approvals	UL, CE, RoHS, DFARS; UKCA
Warranty	Lifetime

DUAL-CHANNEL TIME-PROPORTIONAL OUTPUT VOLTAGE 2.5-24 VDC, 0 TO 100 KHZ

SNAP-AOD-29-HFi



WARNING: Do not remove or replace connectors or cards while circuit is live unless area is known to be nonhazardous.

Description

The SNAP-AOD-29-HFi is a TPO (time-proportional output) or PWM (pulse-width modulation) module that converts an analog value to a digital on/off output. The outputs are used to switch or control DC loads such as lamps or indicators, solenoids, relay coils, and PLC logic. Each channel can switch 100 mA of load current ranging from 2.5 VDC to 24 VDC supplied externally, over a period range of 0.00001 seconds to 64.25 seconds.

The two channels are optically isolated from each other.

Five volts through a 200 Ohm pull-up resistor are provided internally for each channel for use with TTL loads. This feature means you don't have to provide the pull-up voltage supply required for each output.

This module requires a SNAP PAC controller or brain with SNAP PAC firmware version 9.3c or higher. It cannot be used with legacy controllers or brains.

NOTE: The SNAP-AOD-29-HFi module cannot be used in a SNAP PAC IO4AB system. Instead, use the built-in TPO functionality available on all SNAP-PAC brains that support IO4AB.

Part Number	Description
SNAP-AOD-29-HFi	Isolated dual-channel analog time-proportional or pulse-width modulation digital output, 2.5 to 24 VDC

Specifications:

Switched Output	2.5 to 24 VDC at 100 mA supplied externally
Maximum Survivable Switch Voltage	60 VDC
Peak Current	1.0 A (t < 10 milliseconds)
Period Range	0.00001 sec to 64.25 sec
Percent Range	0-100%
Period Resolution	20.8 nanoseconds
Percent Resolution	0.024% (12-bit)
Period Accuracy	+/- 0.005% of period
Pull-up Voltage	4.5 to 5.0 VDC
Pull-up Resistor	200 Ohm
Minimum Output Pulse Width	1 microsecond
Maximum Operating Common Mode Voltage	250 V Continuous
Isolation: Channel to Channel	250V Continuous 1500V Transient
Power Consumption	1.5 W (300 mA @ 5 V)
Ambient Temperature:	
Operating	-20 °C to 70 °C
Storage	-40 °C to 85 °C
Humidity	5-95%, non-condensing
Torque, hold-down screws	Not to exceed 1 in-lb (0.11 N-m)
Torque, connector screws	5.22 in-lb (0.59 N-m)
Wire size range	22 to 14 AWG
Agency Approvals	CE, RoHS, DFARS; UKCA
Warranty	Lifetime

8-CHANNEL MULTIFUNCTION VOLTAGE/CURRENT OUTPUT

The SNAP-AOVA-8 is an analog output module with 8 channels, individually configurable for any one of six voltage or current output ranges:

Voltage	Self-sourcing Current
0 to 5 VDC	
0 to 10 VDC	4 to 20 mA
-5 to +5 VDC	0 to 20 mA
-10 to +10 VDC	

Each range has 4096 counts (12 bits) of resolution.

The SNAP-AOVA-8 requires a 24 VDC excitation voltage brought in through the field connector on the top of the module. This voltage is internally isolated with transformer and digital data isolators, and then used to source all channels.

Because all current is sourced from within the module using the 24 VDC excitation, current outputs are self-sourcing and cannot be used with an external loop supply or in loops that are loop-powered or have a self-sourcing device in the loop.

Each channel is individually current or voltage limited and not affected by opens or shorts on adjacent channels. Connect both wires

Specifications:

Excitation Range	18 TO 32 VDC
Excitation Current Required	200mA @ 32VDC, 250mA @ 24VDC, 350mA @ 18VDC
24V Excitation Fault Recovery Time	15 mS nominal
Power Requirement (from the rack)	5 VDC (±0.15) @ 150 mA
Maximum Operating Common Mode Voltage	250 volts
Isolation	1500 V (transient)
DC Common Mode Rejection	>-120 dB
AC Common Mode Rejection	>-120 dB @ 60 Hz
Data Refresh Time	9 mS nom (update 1 ch/ms)
Ambient Temperature:	
Operating	-20 to 70 °C
Storage	-40 °C to 85 °C
Humidity	5-95%, non-condensing
Torque, hold-down screws	Not to exceed 1 in-lb (0.11 N-m)
Torque, connector screws	5.22 in-lb (0.59 N-m)
Wire size range	22 to 14 AWG
Agency Approvals	UL, CE, RoHS, DFARS; UKCA
Warranty	Lifetime

Part Number	Description
SNAP-AOVA-8	8-channel analog multifunction output, voltage or current
SNAP-HD-20F6	6 ft. (1.8 m) wiring cable for SNAP-AOVA-8 module, with flying leads (required)

from the module, so that a change in output on one channel will not affect another channel.

All negative output terminals on the module are tied together internally. To prevent ground loops, use loads with isolated signal inputs or use devices with the same power source, so they have a common ground.

To wire the module, a 6-foot-long SNAP-HD-20F6 cable is required. The cable has a 20-pin connector at the module end and flying leads for wiring to field devices. See wiring information on [page 12](#).

You can also use a SNAP-TEX-32 breakout board for wiring convenience. See the [SNAP TEX Cables & Breakout Boards Data Sheet](#) (form 1756) for more information.

The SNAP-AOVA-8 requires a SNAP PAC brain or rack-mounted controller with firmware version R9.4b or higher. It cannot be used with legacy controllers or brains.

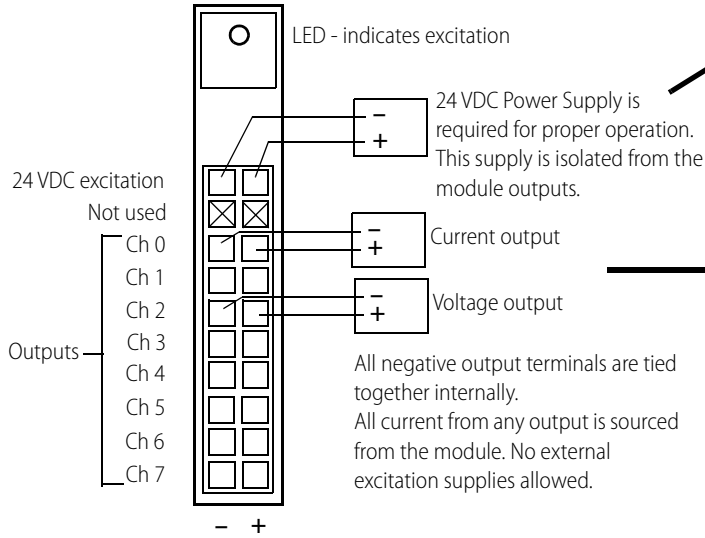
Specifications (continued)

Voltage Outputs	
Output Range (Resolution)	0 to 5 VDC (1.22 mV) 0 to 10 VDC (2.44 mV) -5 to +5 VDC (2.44 mV) -10 to +10 VDC (4.88 mV)
Load Current	+/-10 mA min. each voltage output channel)
Short Circuit Current	16 mA Typ.
Accuracy	0.1% of span
Drift:	
Gain Temperature Coefficient	30 PPM / °C
Offset Temperature Coefficient	15 PPM / °C
Current Outputs	
Output Range (Resolution)	4 to 20 mA (4 microamps) 0 to 20 mA (5 microamps)
Maximum Loop Resistance	750 Ohms (each current output channel)
Open Circuit Volts	27 VDC max. (24 VDC typical)
Accuracy	0.1% of span
Drift:	
Gain Temperature Coefficient	30 PPM / °C
Offset Temperature Coefficient	15 PPM / °C

Wiring

SNAP-AOVA-8 Module (from top)

SNAP-HD-20F6 Cable



Wire colors - Excitation

24 VDC	Color
-	Black
+	White with Black

Wire colors - Output points

Ch	-/+	Color
0	-	Blue
	+	White with Blue
1	-	Pink
	+	White with Pink
2	-	Gray
	+	White with Gray
3	-	Green
	+	White with Green
4	-	Orange
	+	White with Orange
5	-	Red
	+	White with Red
6	-	Purple
	+	White with Purple
7	-	Yellow
	+	White with Yellow

For more information on the SNAP-HD-20F6 cable, see the [SNAP TEX Cables & Breakout Boards Data Sheet](#) (form 1756).

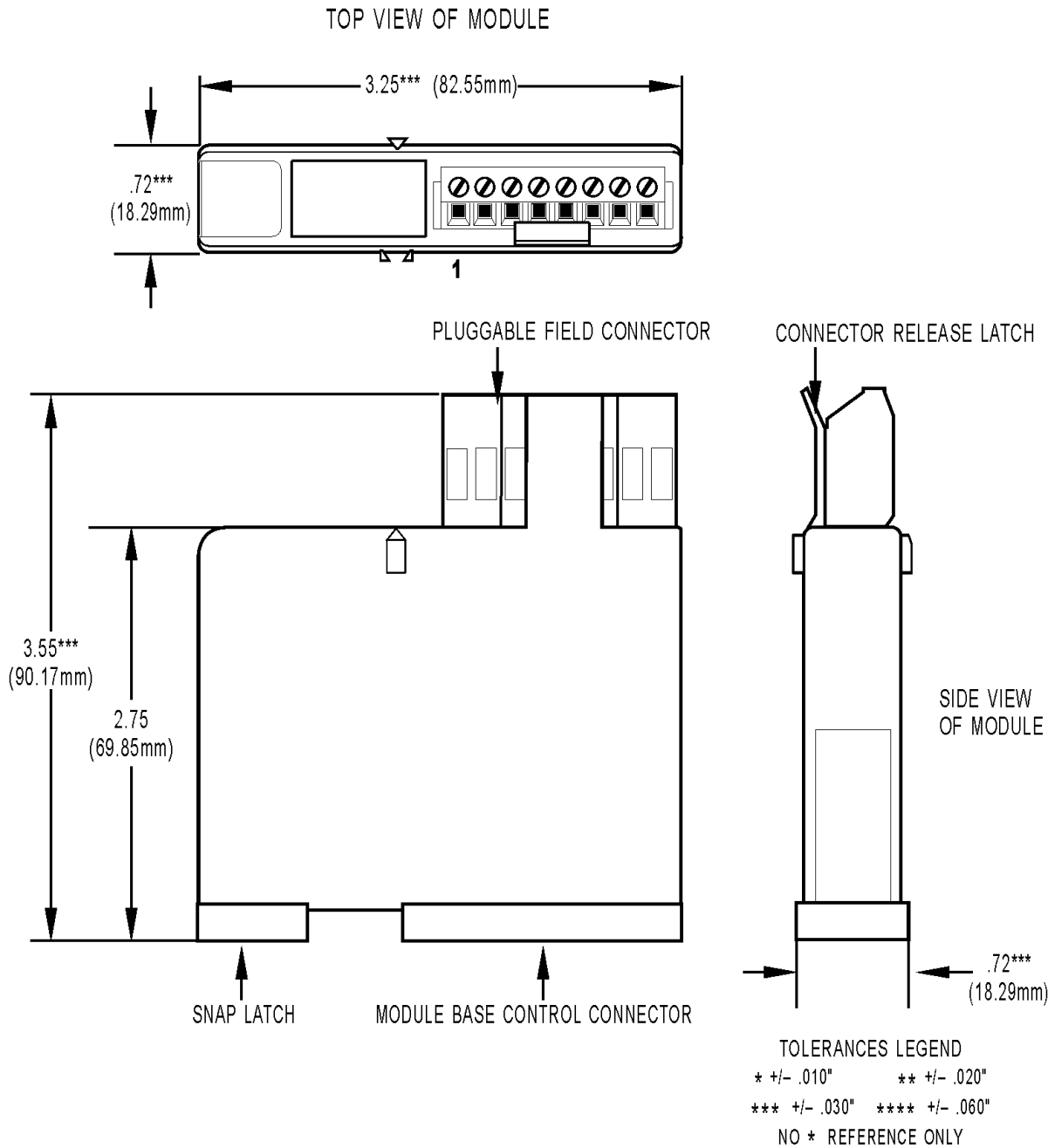


NOTE: Yellow with purple and purple with yellow wires are not used.

DIMENSIONAL DRAWINGS

All Modules except SNAP-AOA-23-iSRC and SNAP-AOVA-8

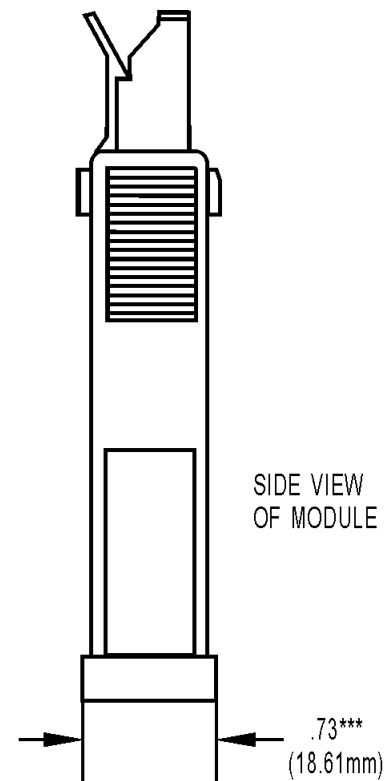
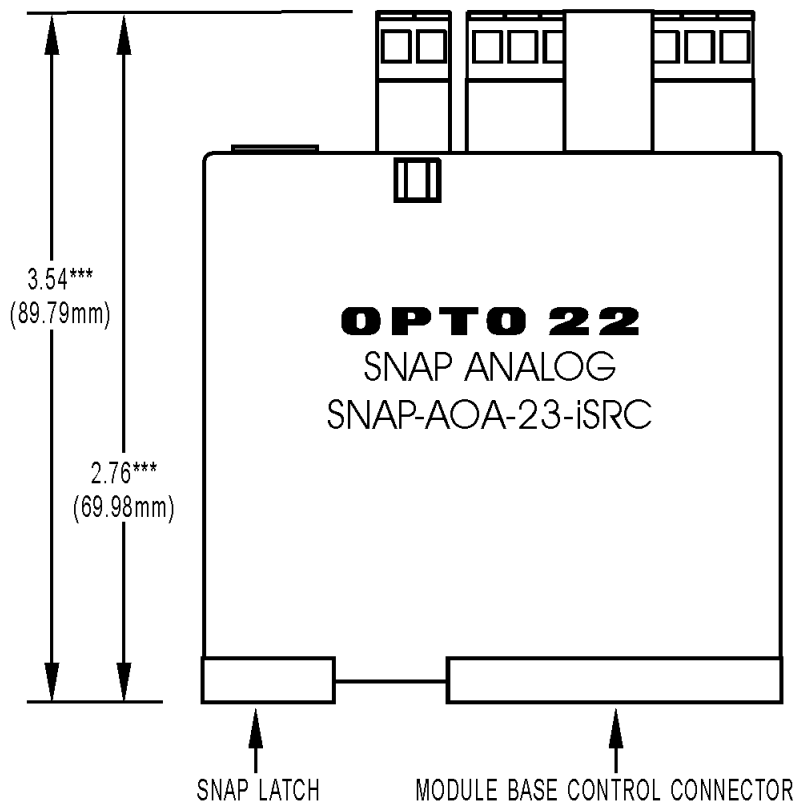
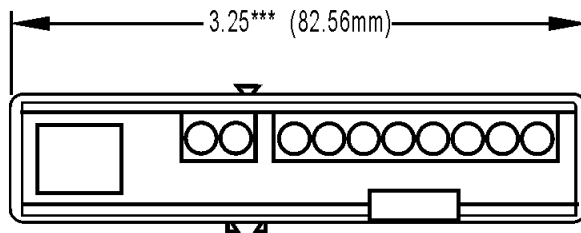
Note: The SNAP-AOD-29 time-proportional output (TPO) module has integral LEDs for monitoring and troubleshooting the module's outputs and inhibit inputs.



DIMENSIONAL DRAWINGS

SNAP-AOA-23-iSRC only

TOP VIEW OF MODULE



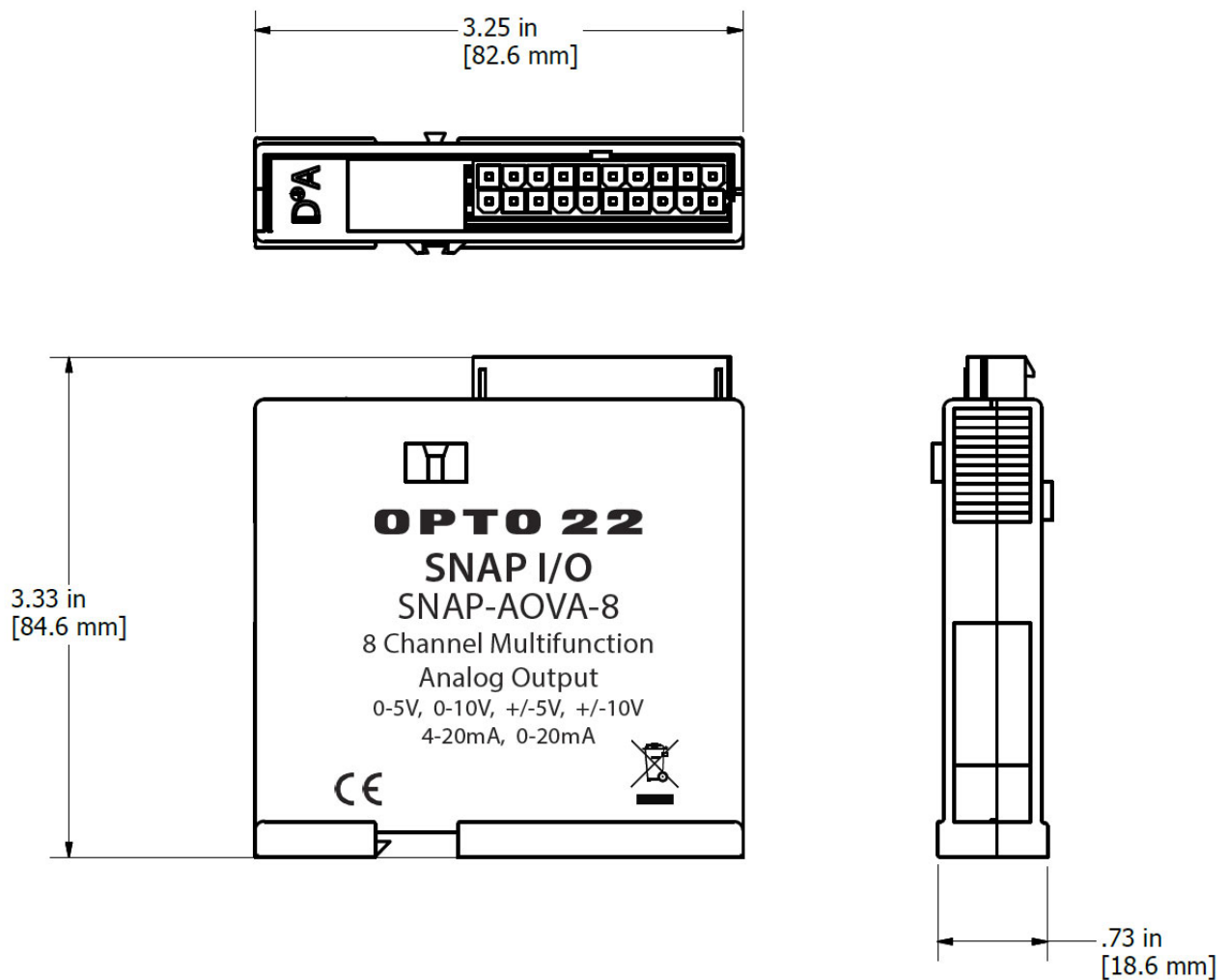
TOLERANCES LEGEND

* +/- .010" ** +/- .020"
 *** +/- .030" **** +/- .060"
 NO * REFERENCE ONLY

DIMENSIONAL DRAWINGS

SNAP-AOVA-8 only

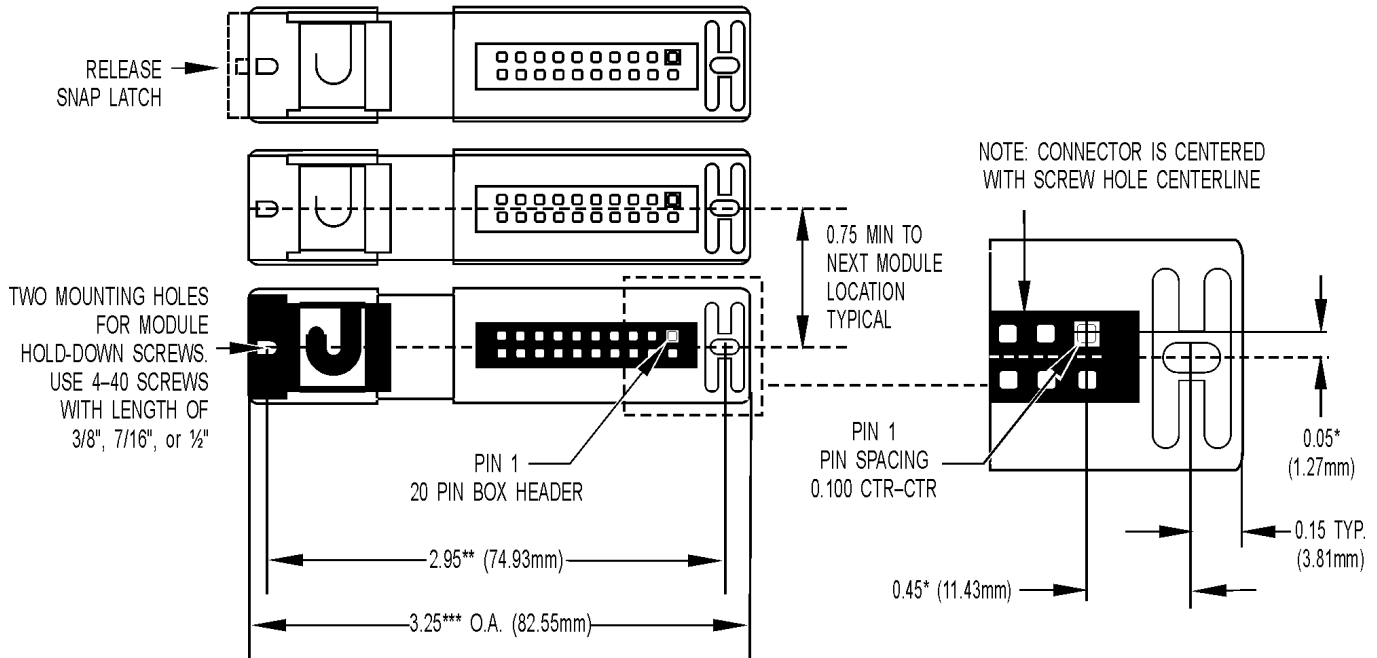
TOP VIEW OF MODULE



DIMENSIONAL DRAWINGS

All Modules

BOTTOM VIEW OF MODULE



TOLERANCES

* +/- 0.010"

** +/- 0.020"

*** +/- 0.030"

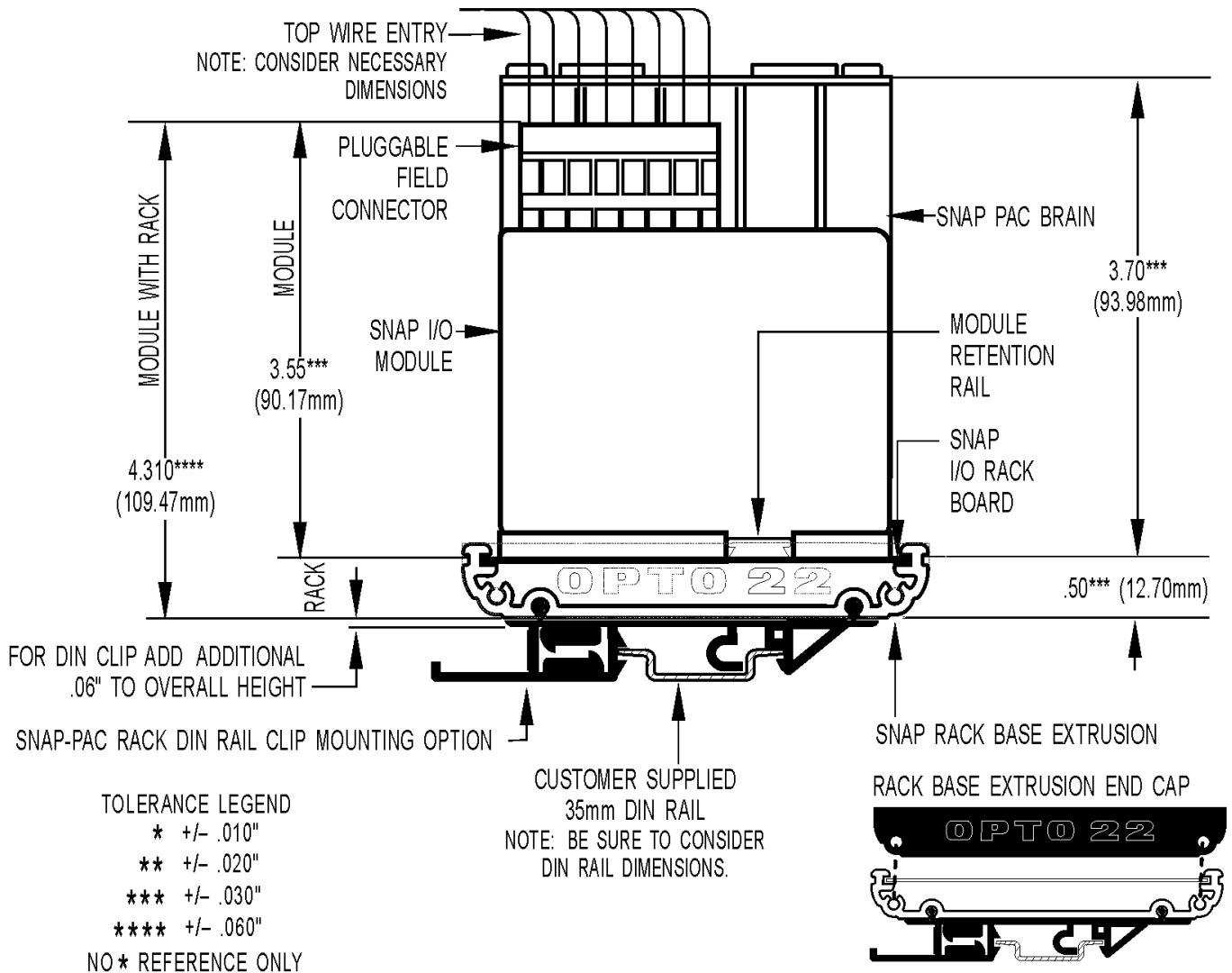
NO * REFERENCE ONLY

IMPORTANT: The mounting rack connector has 24 pins; the module connector has 20 pins. The extra pins on the mounting rack connector prevent misalignment of the module during installation.

DIMENSIONAL DRAWINGS

All Modules

SNAP Analog Module Mounted on a SNAP Rack



X-ON Electronics

Largest Supplier of Electrical and Electronic Components

Click to view similar products for [I/O Modules](#) category:

Click to view products by [Opto 22](#) manufacturer:

Other Similar products are found below :

[70L-OAC-L](#) [G21960000700](#) [G34960002700](#) [G88104401](#) [IDC-5B](#) [OACU](#) [C4SWOUT](#) [FC6A-T32K3](#) [SNAP-OAC5MA](#) [FC6A-N16B3](#)
[FC6A-N32B3](#) [FC6A-T16P3](#) [G3TAOD201SDC24](#) [PB32HQ](#) [PB16T](#) [PB8](#) [PB8H](#) [C200H-OD211](#) [GT1-AD04CST](#) [GT1-DA04](#) [70GRCQ24-](#)
[HS](#) [M-OAC5](#) [G4OAC24AMA](#) [2736505](#) [6202](#) [6402](#) [IL MOD BK DI8 DO4-PAC](#) [FC6A-J2C1](#) [FC6A-KC1C](#) [FC6A-N08A11](#) [FC6A-M24BR1](#)
[FC6A-K4A1](#) [FC6A-T32P3](#) [9-1393028-2](#) [GP32900003700](#) [641-480-5022](#) [PB16H](#) [WISE-4050/LAN-B](#) [WISE-S614T-A](#) [ADAM-4068-C](#)
[56475](#) [ADAM-4017+-F](#) [ADAM-4118-C](#) [AMAX-4856-B](#) [WISE-4050-B](#) [ADAM-4051-C](#) [ADAM-4053-F](#) [GT1-AD08MX](#) [TM5SDO6TBFS](#)
[70Q3446](#)