

FEATURES

- 100 mm² Square Active Area
- Responsivity @ 40 nm 0.15 A/W
- Detection Range 18 nm to 80 nm
- Shipped with Protective Cover

Electro-Optical Characteristics at 25°C

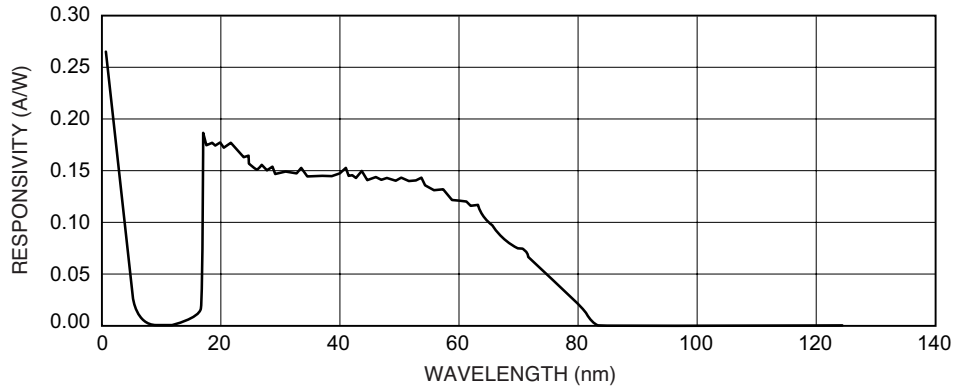
Parameters	Test Conditions	Min	Typ	Max	Units
Active Area	10 mm x 10 mm		100		mm ²
Responsivity	@ 40 nm		0.15		A/W
Shunt Resistance, Rsh	@ ±10 mV	20			Ohms
Reverse Breakdown Voltage, V _R	I _R = 1 µA	5	10		Volts
Capacitance, C	V _R = 0 V		10	44	nF

Thermal Parameters

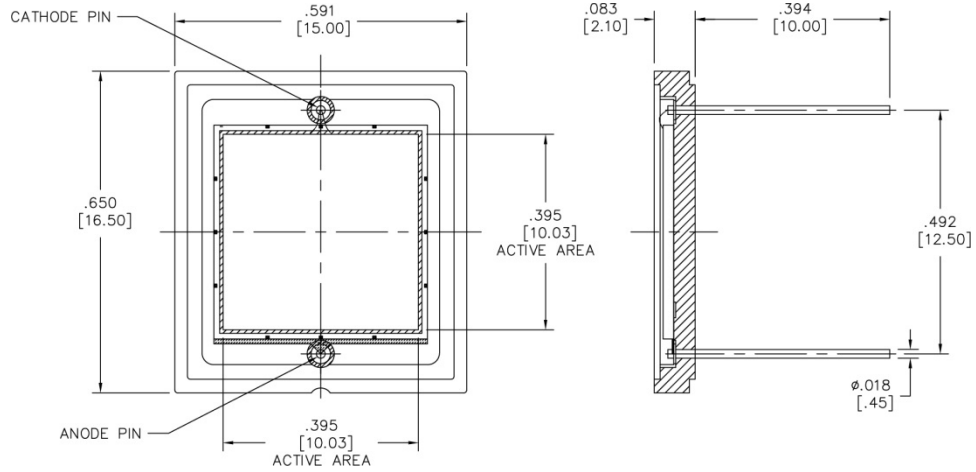
Storage and Operating Temperature Range	Units
Ambient	-10° to 40°C
Nitrogen or Vacuum	-20 to 80°C
Maximum Junction Temperature	70°C
Lead Soldering Temperature*	260°C

*0.080" from case for 10 seconds.

Typical Responsivity at 25°C



Package Information



Dimensions are in inch [metric] units.

Specifications are subject to change without prior notice.

X-ON Electronics

Largest Supplier of Electrical and Electronic Components

Click to view similar products for [opto diode manufacturer](#):

Other Similar products are found below :

[UVG100](#) [AXUV16ELCS](#) [AXUV576C](#) [ODA-6WB-100M](#) [AXUV100AL](#) [ODA-6W-500M](#) [OD-669](#) [AXUV63HS1](#) [ODD-1B](#) [ODD-5WBISOL](#)
[SXUV100](#) [AXUV20HS1](#) [AXUV100CS](#) [OD-663](#) [ODD-1W](#) [OD-666](#) [AXUV100G](#) [ODD-15W](#) [ODD-42WB](#) [OD-469L](#) [ODA-6WB-500M](#)
[ODD-12WB](#) [ODD-5WISOL](#) [OD-624L](#) [ODD-3W-2](#) [OD-850WHT](#) [ODD-42W](#) [OD-850L](#) [OD-250](#) [OD-850W](#) [OD-110W](#) [ODD-1WB](#) [OD-110L](#) [OD-850FHT](#) [OD-850F](#)