

**FEATURES**

- 40 Pin Dual-In-Line Package
- Ideal for Electron Detection
- Protective Cover Plate<sup>3</sup>

**Electro-Optical Characteristics at 25 °C**

Parameters	Test Conditions	Min	Typ	Max	Units
Active Area	2 mm x 5 mm		10		mm <sup>2</sup>
Responsivity	(see graphs on next page)				A/W
Reverse Breakdown Voltage, V <sub>R</sub>	I <sub>R</sub> = 1 μA		25		Volts
Capacitance, C	V <sub>R</sub> = 0 V		700	2000	pF
Rise Time	V <sub>R</sub> = 0 V		500		nsec
Shunt Resistance (per element)	V <sub>f</sub> = ± 10 mV	100			MOhms

**Thermal Parameters**

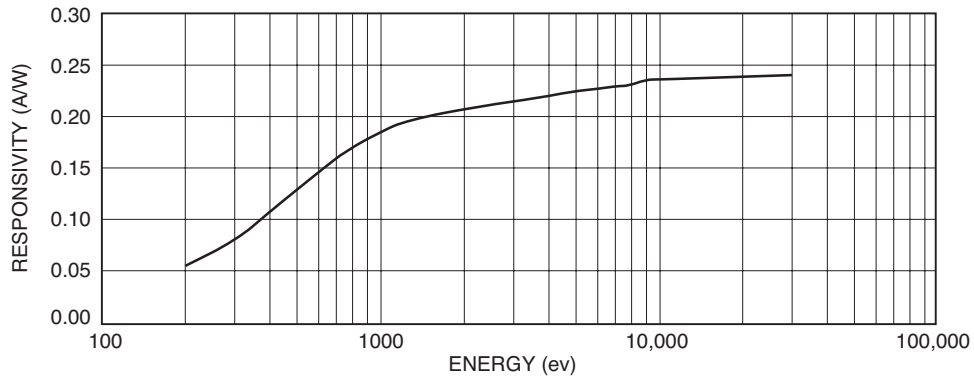
Storage and Operating Temperature Range	Units
Ambient <sup>1</sup>	-10°C to 40°C
Nitrogen or Vacuum	-20°C to 80°C
Lead Soldering Temperature <sup>2</sup>	260°C

<sup>1</sup> Temperatures exceeding these parameters may create oxide growth on the active area. Over time responsivity to low energy radiation and wavelengths below 150 nm will be compromised.

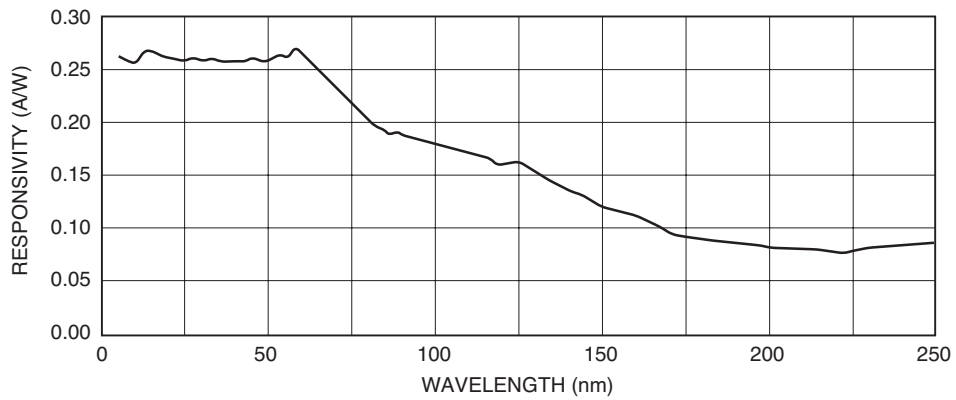
<sup>2</sup> 0.080" from case for 10 seconds.

<sup>3</sup> Shipped with temporary cover to protect the photodiode array and wire bonds. Review the Application Note, "Handling Precautions for AXUV, SXUV, and UVG Detectors", prior to removing cover.

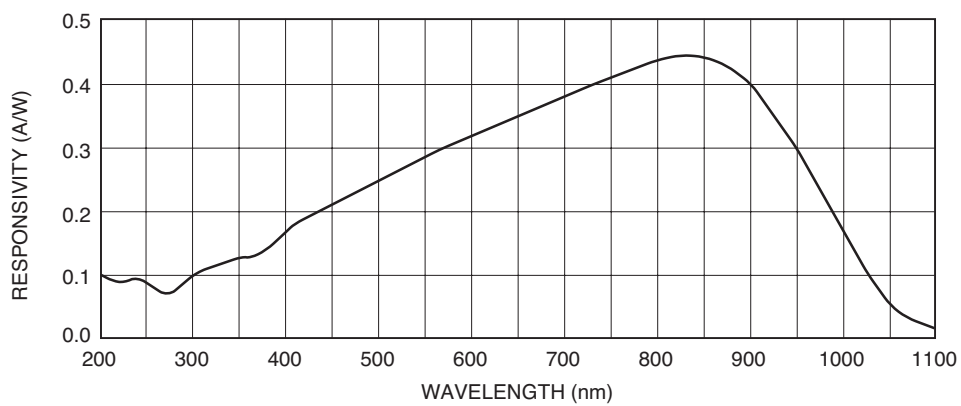
**Typical Electron Response**



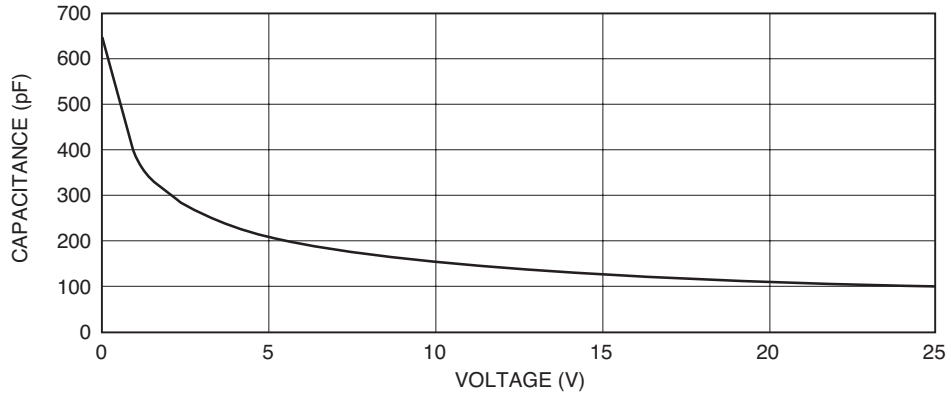
**Typical EUV-UV Photon Response**



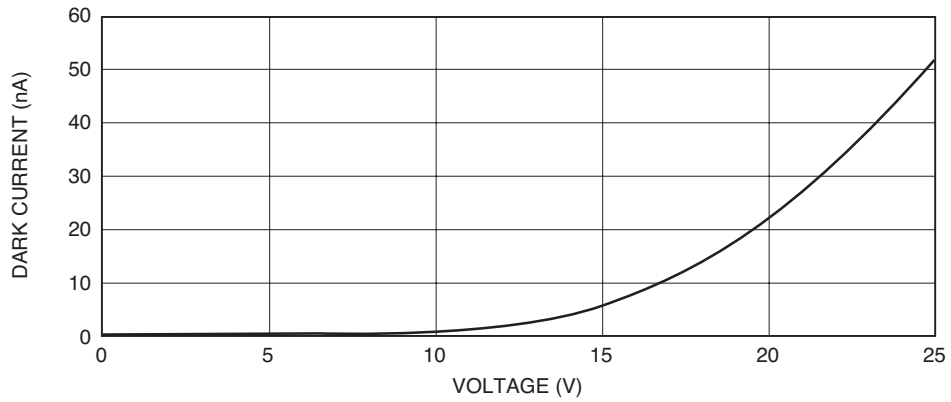
**Typical UV-VIS-NIR Photon Responsivity**



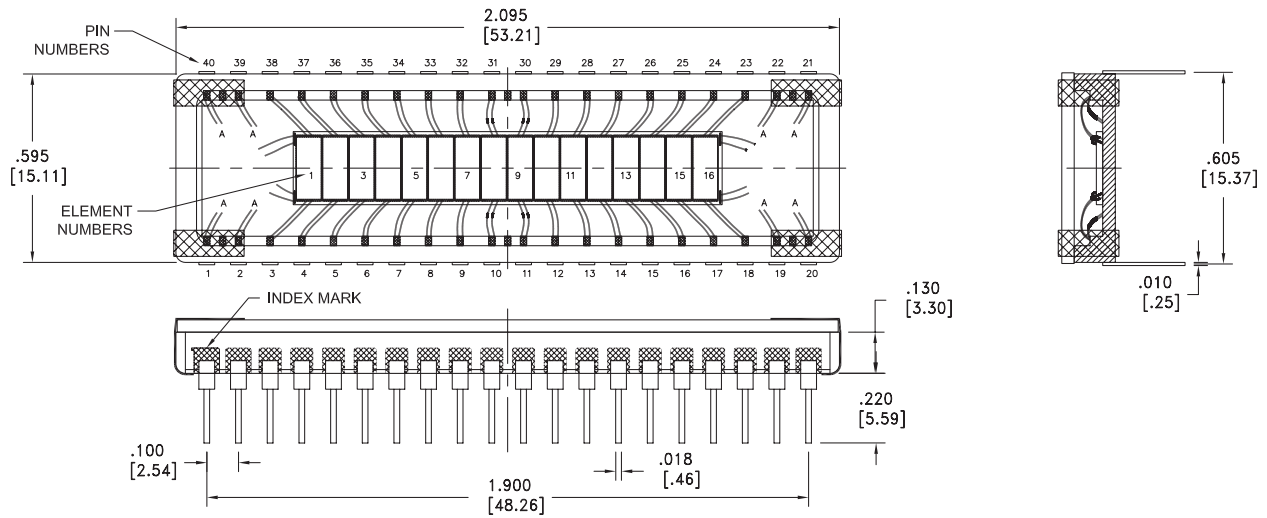
**Capacitance vs. Voltage**



**Dark Current vs. Voltage**



**Package Information**



Dimensions are in inch [metric] units.

**Pin Description**

Pins	Connection	Pins	Connection
1, 2, 19, 20	Common Anode	11, 30	Cathode Element 9
21, 22, 39, 40	Common Anode	12, 29	Cathode Element 10
3, 38	Cathode Element 1	13, 28	Cathode Element 11
4, 37	Cathode Element 2	14, 27	Cathode Element 12
5, 36	Cathode Element 3	15, 26	Cathode Element 13
6, 35	Cathode Element 4	16, 25	Cathode Element 14
7, 35	Cathode Element 5	17, 24	Cathode Element 15
8, 33	Cathode Element 6	18, 23	Cathode Element 16
9, 32	Cathode Element 7		

Specifications are subject to change without prior notice.

## **X-ON Electronics**

Largest Supplier of Electrical and Electronic Components

*Click to view similar products for [opto diode manufacturer](#):*

Other Similar products are found below :

[UVG100](#) [AXUV16ELCS](#) [AXUV576C](#) [ODA-6WB-100M](#) [AXUV100AL](#) [ODA-6W-500M](#) [OD-669](#) [AXUV63HS1](#) [ODD-1B](#) [ODD-5WBISOL](#)  
[SXUV100](#) [AXUV20HS1](#) [AXUV100CS](#) [OD-663](#) [ODD-1W](#) [OD-666](#) [AXUV100G](#) [ODD-15W](#) [ODD-42WB](#) [OD-469L](#) [ODA-6WB-500M](#)  
[ODD-12WB](#) [ODD-5WISOL](#) [OD-624L](#) [ODD-3W-2](#) [OD-850WHT](#) [ODD-42W](#) [OD-850L](#) [OD-250](#) [OD-850W](#) [OD-110W](#) [ODD-1WB](#) [OD-110L](#) [OD-850FHT](#) [OD-850F](#)