



**FEATURES**

- SMA Connector
- Ideal for Electron Detection
- Ultra-High Speed

**Electro-Optical Characteristics at 25°C**

Parameters	Test Conditions	Min	Typ	Max	Units
Active Area	1 mm x 1 mm		1		mm <sup>2</sup>
Responsivity	(see graphs on next page)				A/W
Reverse Breakdown Voltage, V <sub>R</sub>	I <sub>R</sub> = 1 μA	55			Volts
Capacitance, C	V <sub>R</sub> = 0 V		15	50	pF
Rise Time	RL = 50 Ω, V <sub>R</sub> = 52 V			700	psec
Dark Current	V <sub>R</sub> = 52 V		1	10	nA

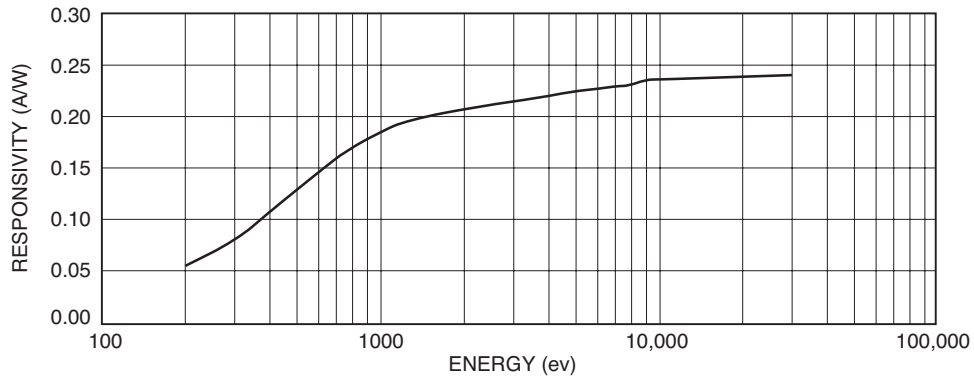
**Thermal Parameters**

Storage and Operating Temperature Range	Units
Ambient <sup>1</sup>	-10°C to 40°C
Nitrogen or Vacuum	-20°C to 80°C
Lead Soldering Temperature	N/A

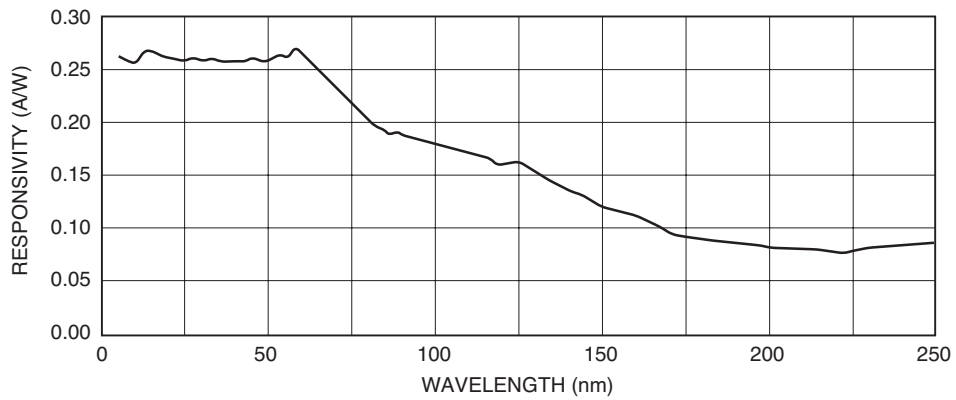
<sup>1</sup> Temperatures exceeding these parameters may create oxide growth on the active area.  
 Over time responsivity to low energy radiation and wavelengths below 150 nm will be compromised.

Maximum torque of 5 inch/pounds recommended.  
 Permanent damage will result if higher torque values are used and warranty is voided.

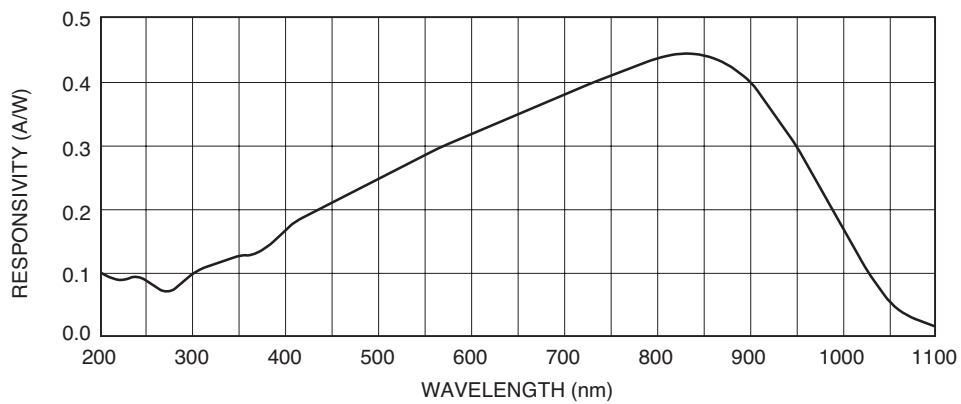
**Typical Electron Response**



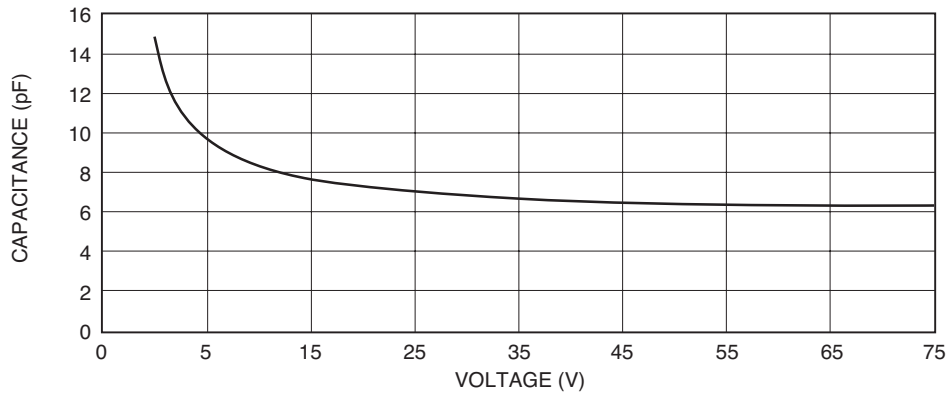
**Typical EUV-UV Photon Response**



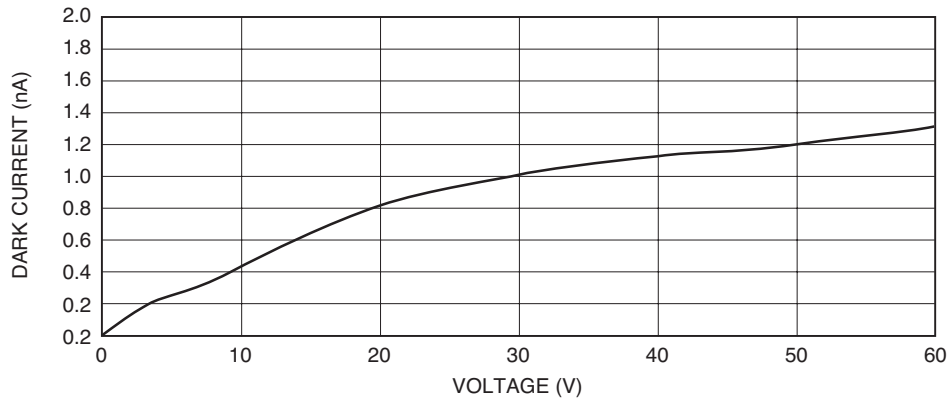
**Typical UV-VIS-NIR Photon Responsivity**



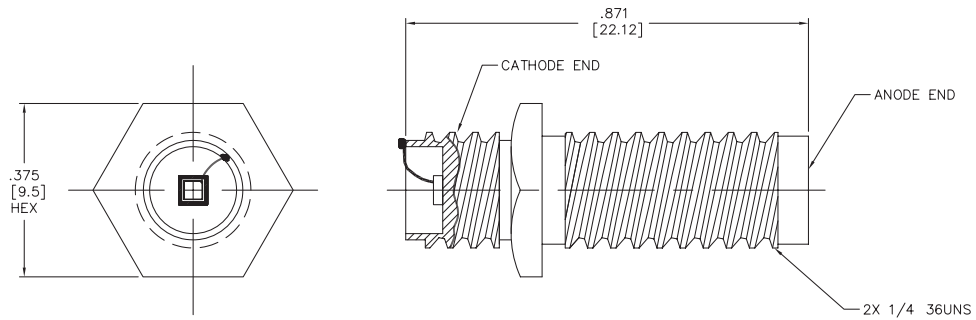
Capacitance vs. Voltage



Dark Current vs. Voltage



Package Information



Dimensions are in inch [metric] units.



REACH SVHC -This article contains Lead (Pb) > 0.1% as part of a copper alloy.  
WARNING: This product can expose you to Lead (as part of a copper alloy), which is known to the State of California to cause cancer and birth defects or other reproductive harm. For more information go to [www.P65Warnings.ca.gov](http://www.P65Warnings.ca.gov)

Specifications are subject to change without prior notice.

## **X-ON Electronics**

Largest Supplier of Electrical and Electronic Components

*Click to view similar products for [opto diode manufacturer](#):*

Other Similar products are found below :

[UVG100](#) [AXUV16ELCS](#) [AXUV576C](#) [ODA-6WB-100M](#) [AXUV100AL](#) [ODA-6W-500M](#) [OD-669](#) [AXUV63HS1](#) [ODD-1B](#) [ODD-5WBISOL](#)  
[SXUV100](#) [AXUV20HS1](#) [AXUV100CS](#) [OD-663](#) [ODD-1W](#) [OD-666](#) [AXUV100G](#) [ODD-15W](#) [ODD-42WB](#) [OD-469L](#) [ODA-6WB-500M](#)  
[ODD-12WB](#) [ODD-5WISOL](#) [OD-624L](#) [ODD-3W-2](#) [OD-850WHT](#) [ODD-42W](#) [OD-850L](#) [OD-250](#) [OD-850W](#) [OD-110W](#) [ODD-1WB](#) [OD-110L](#) [OD-850FHT](#) [OD-850F](#)