

FEATURES

- Large Active Area
- Low Noise
- High Sensitivity
- Custom Gains Available
- Hermetically Sealed TO-39

Electro-Optical Characteristics at 23°C

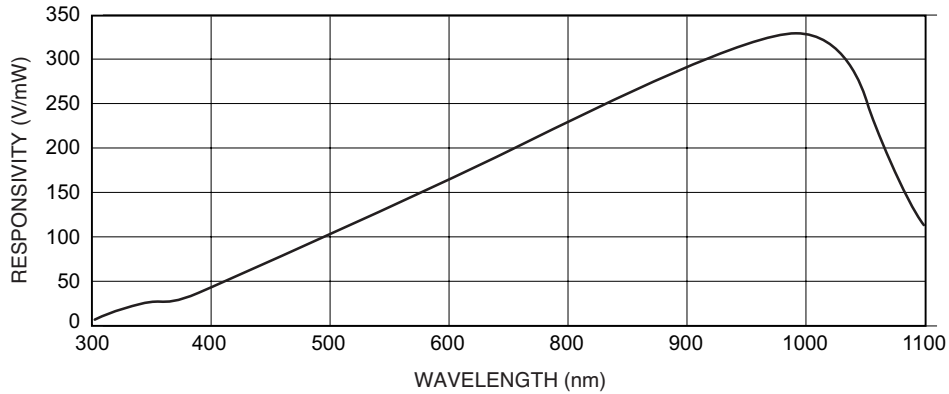
| Parameters | Test Conditions | Min | Typ | Max | Units |
|----------------------------|---|-----|------|---------|------------------------------|
| Dark Offset | $V_s = \pm 5 \text{ V}$ | | 1 | ± 2 | mV |
| Dark Offset Noise | $V_s = \pm 5$ BW = 0.1 to 135 kHz | | 283 | 500 | $\mu\text{V rms}$ |
| Sensitivity | $V_s = \pm 5 \text{ V}$ $\lambda = 940 \text{ nm}$ | 290 | 315 | | $\text{V}/\mu\text{W}$ |
| Frequency Response (-3 db) | $V_s = \pm 5 \text{ V}$ $\lambda = 940 \text{ nm}$ | 100 | 130 | | Hz |
| NEP | $\lambda = 940 \text{ nm}$ | | 0.06 | | $\text{pW}/\sqrt{\text{Hz}}$ |
| Transimpedance Gain | | | 500 | | $\text{M}\Omega$ |
| Supply Current | | | 850 | 950 | μA |

Absolute Ratings

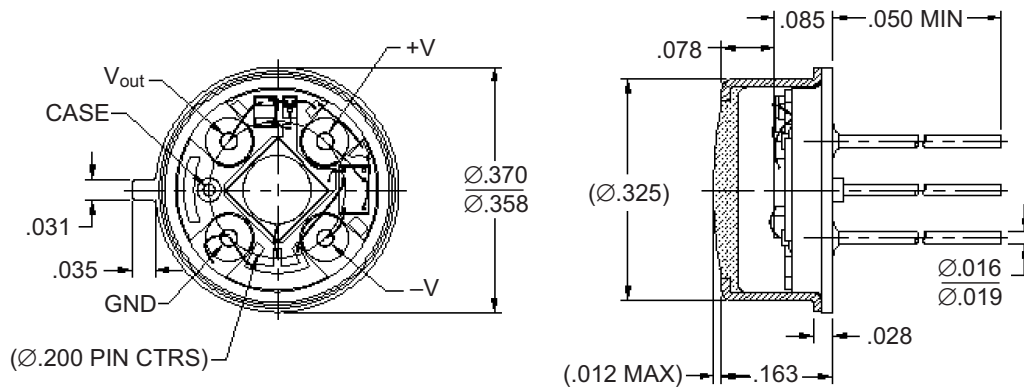
| Parameters | Units |
|---|----------------|
| Voltage Supply Range +V to -V* | 5 to 15 V |
| Power Dissipation | 15 mW |
| Storage and Operating Temperature | -25 to + 100°C |
| Soldering Temperature (1/16" from case for 3 seconds max) | +260°C |

*Voltage supply across the device requires a minimum of 5 V to a maximum of 15 V from +V to -V.

Typical Spectral Response

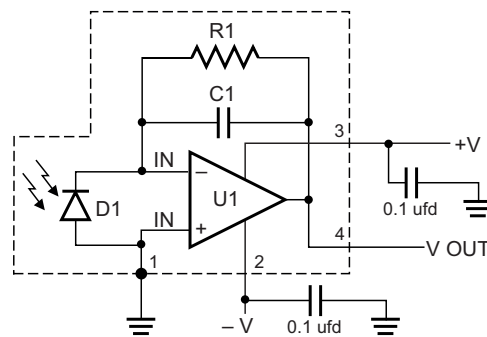


Package Information



SHOWN WITH CAP REMOVED FOR CLARITY

Dimensions are in inch [metric] units.



Specifications are subject to change without prior notice.

X-ON Electronics

Largest Supplier of Electrical and Electronic Components

Click to view similar products for [opto diode manufacturer](#):

Other Similar products are found below :

[UVG100](#) [AXUV16ELCS](#) [AXUV576C](#) [ODA-6WB-100M](#) [AXUV100AL](#) [ODA-6W-500M](#) [OD-669](#) [AXUV63HS1](#) [ODD-1B](#) [SXUV100](#)
[AXUV20HS1](#) [ODD-5WBISOL](#) [AXUV100CS](#) [OD-663](#) [ODD-1W](#) [OD-666](#) [AXUV100G](#) [ODD-15W](#) [ODD-42WB](#) [OD-469L](#) [ODA-6WB-](#)
[500M](#) [ODD-12WB](#) [ODD-5WISOL](#) [OD-624L](#) [ODD-3W-2](#) [OD-850WHT](#) [ODD-42W](#) [OD-850L](#) [OD-250](#) [OD-850W](#) [OD-110W](#) [ODD-1WB](#)
[OD-110L](#) [OD-850FHT](#) [OD-850F](#)