

FEATURES

- Large Active Area
- Low Noise
- High Sensitivity
- Custom Gains Available
- Hermetically Sealed TO-39
- Blue Enhanced Detector

Electro-Optical Characteristics at 23°C

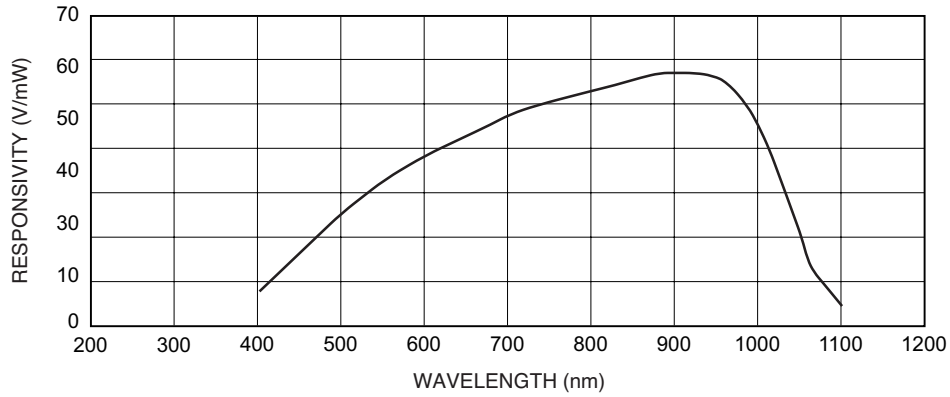
Parameters	Test Conditions	Min	Typ	Max	Units
Dark Offset	$V_s = \pm 5 \text{ V}$		1.2	± 2	mV
Dark Offset Noise	$V_s = \pm 5$ BW = 0.1 to 1000 kHz		198	250	$\mu\text{V rms}$
Sensitivity	$V_s = \pm 5 \text{ V}$ $\lambda = 450 \text{ nm}$	20	28		$\text{V}/\mu\text{W}$
Frequency Response (-3 db)	$V_s = \pm 5 \text{ V}$ $\lambda = 940 \text{ nm}$	500	1000		Hz
NEP	$\lambda = 940 \text{ nm}$		0.08		$\text{pW}/\sqrt{\text{Hz}}$
Transimpedance Gain			100		$\text{M}\Omega$
Supply Current			850	950	μA

Absolute Ratings

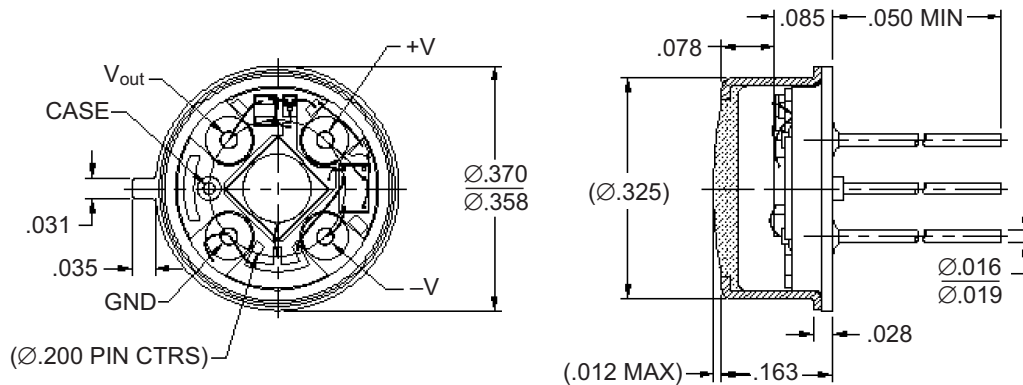
Parameters	Units
Voltage Supply Range +V to -V*	5 to 15 V
Power Dissipation	15 mW
Storage and Operating Temperature	-25 to +100°C
Soldering Temperature (1/16" from case for 3 seconds max)	+260°C

*Voltage supply across the device requires a minimum of 5 V to a maximum of 15 V from +V to -V.

Typical Spectral Response

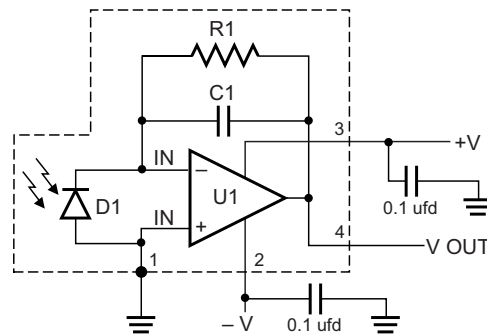


Package Information



SHOWN WITH CAP REMOVED FOR CLARITY

Dimensions are in inch [metric] units.



Specifications are subject to change without prior notice.

X-ON Electronics

Largest Supplier of Electrical and Electronic Components

Click to view similar products for [opto diode manufacturer](#):

Other Similar products are found below :

[UVG100](#) [AXUV16ELCS](#) [AXUV576C](#) [ODA-6WB-100M](#) [AXUV100AL](#) [ODA-6W-500M](#) [OD-669](#) [AXUV63HS1](#) [ODD-1B](#) [SXUV100](#)
[AXUV20HS1](#) [ODD-5WBISOL](#) [AXUV100CS](#) [OD-663](#) [ODD-1W](#) [OD-666](#) [AXUV100G](#) [ODD-15W](#) [ODD-42WB](#) [OD-469L](#) [ODA-6WB-](#)
[500M](#) [ODD-12WB](#) [ODD-5WISOL](#) [OD-624L](#) [ODD-3W-2](#) [OD-850WHT](#) [ODD-42W](#) [OD-850L](#) [OD-250](#) [OD-850W](#) [OD-110W](#) [ODD-1WB](#)
[OD-110L](#) [OD-850FHT](#) [OD-850F](#)