

FEATURES

- TO-18 Hermetic Package
- Low Cost Format
- Low Dark Current
- Low Capacitance

Electro-Optical Characteristics at 25°C

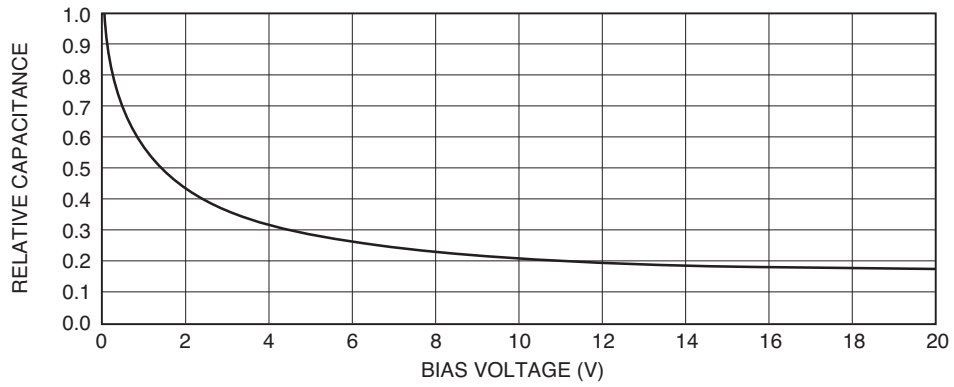
| Parameters | Test Conditions | Min | Typ | Max | Units |
|---|-----------------------|------|-----|-----|-----------------|
| Active Area | 1.35 mm x 0.76 mm | | 1 | | mm ² |
| Responsivity | @ 632 nm | 0.36 | 0.4 | | A/W |
| Dark Current, I _{dr} | V _R = 10 V | | 0.2 | 1 | nA |
| Reverse Breakdown Voltage, V _R | I _R = 10 A | 25 | 60 | | Volts |
| Capacitance, C | V _R = 10 V | | 0.2 | 2 | pF |
| Rise Time | V _R = 10 V | | 8 | 15 | nsec |
| Series Resistance | V _f = 1 V | | 25 | 60 | Ohms |

Thermal Parameters

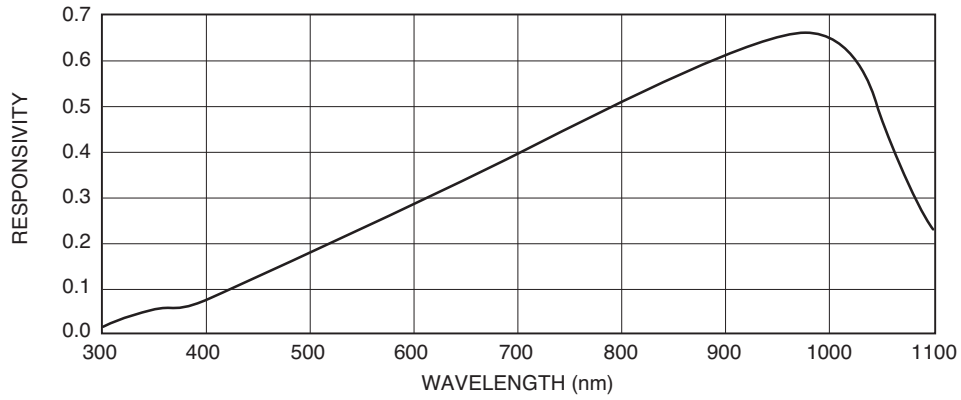
| Parameters | Units |
|---|----------------|
| Storage and Operating Temperature Range | -55°C to 100°C |
| Maximum Junction Temperature | 100°C |
| Lead Soldering Temperature ¹ | 260°C |

¹ 1/16" from case for 10 seconds.

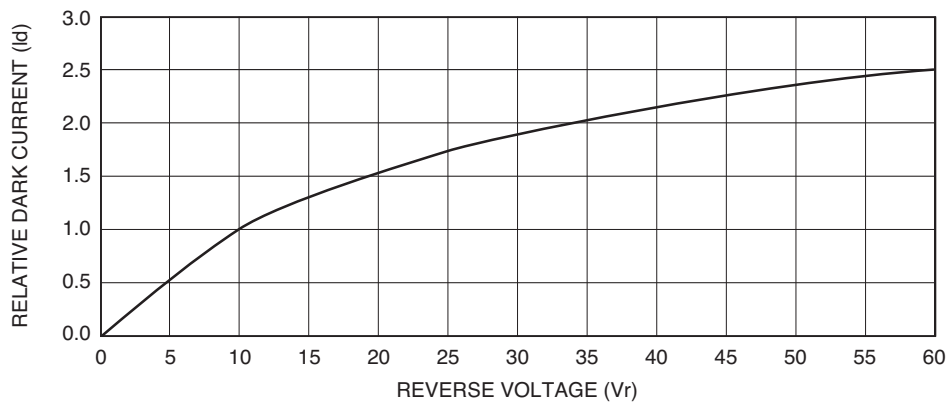
Capacitance vs Bias Voltage



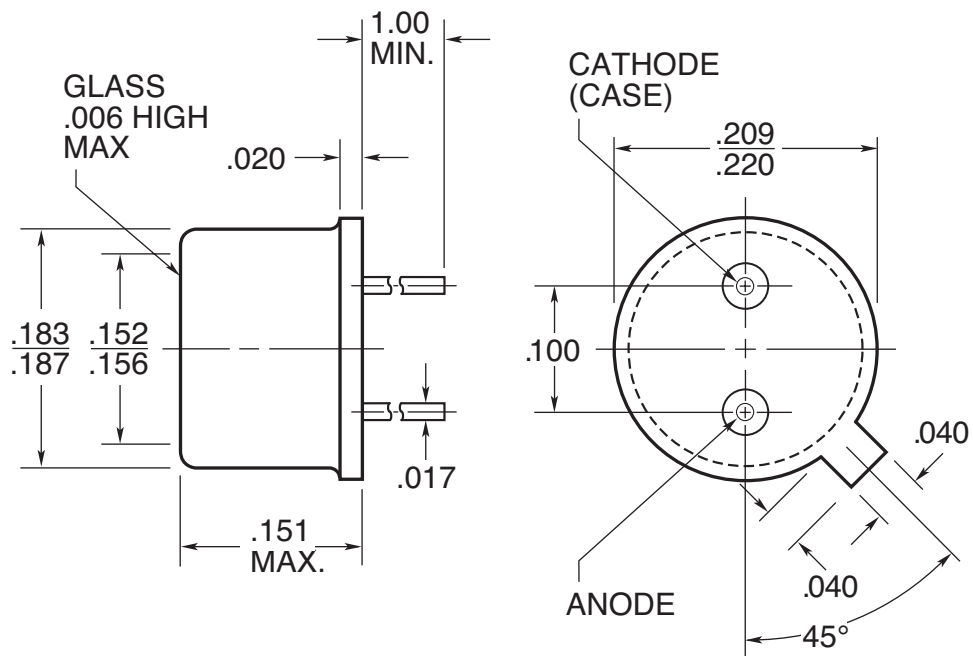
Typical Spectral Response



Dark Current vs Voltage



Package Information



Dimensions are in inch [metric] units.

Specifications are subject to change without prior notice.

X-ON Electronics

Largest Supplier of Electrical and Electronic Components

Click to view similar products for [opto diode manufacturer](#):

Other Similar products are found below :

[UVG100](#) [AXUV16ELCS](#) [AXUV576C](#) [ODA-6WB-100M](#) [AXUV100AL](#) [ODA-6W-500M](#) [OD-669](#) [AXUV63HS1](#) [ODD-1B](#) [SXUV100](#)
[AXUV20HS1](#) [ODD-5WBISOL](#) [AXUV100CS](#) [OD-663](#) [ODD-1W](#) [OD-666](#) [AXUV100G](#) [ODD-15W](#) [ODD-42WB](#) [OD-469L](#) [ODA-6WB-](#)
[500M](#) [ODD-12WB](#) [ODD-5WISOL](#) [OD-624L](#) [ODD-3W-2](#) [OD-850WHT](#) [ODD-42W](#) [OD-850L](#) [OD-250](#) [OD-850W](#) [OD-110W](#) [ODD-1WB](#)
[OD-110L](#) [OD-850FHT](#) [OD-850F](#)