

◆ Features:

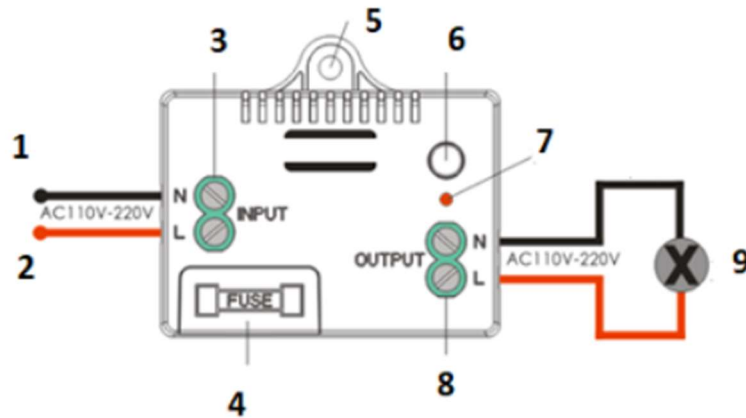
- ON/OFF wireless control
- compatible with LED power supplies and bulbs
- RF 433MHz transmission
- batteryless controller, self-powered switch (kinetic energy supply)
- up to 5 controller paired to one switch

◆ Photo: **CE**

	
CTR-LUNA230-1SS1C	
	
CTR-LUNA230-1SS	CTR-LUNA230-1C

	Model	CTR-LUNA230-1SS1C
		One single switch, one controller
Controller	Rated voltage	230VAC 50Hz
	Output current	5A max, (relay)
	Max. Output power	1000W (resistance), 200W (induction)
	Stanb-by	<0,15W
	Dimmensions (LxWxD)	60 x 43 x 27,5 mm
	Weight	65g
	Montage	Screw, adhesive tape
	Terminal	Screw treminal
Switch	Transmission	RF 433MHz, FSK/ASK
	Supply	Kinetic energy (self-powered)
	Buttons	1
	On/Off cycles	>200 000
	Range	200m outdoor 50m indoor
	Montege	Screw, adhesive tape
	Dimmension (LxWxD)	86 x 86 x 15 mm
	Weight	70g
Others	Working temp.	0...40 °C
	Frequency	433 MHz
	Remote q-ty	Up to 5 controllers
	Weight brutto	
	regulations	NE 61058-1:2002+A2: 2008 GB14536.1-2008
	Warranty	24 months

◆ CONNECTING DIAGRAM



1	Phase wire	6	Programming switch
2	Neitral wire	7	LED indicator
3	Input terminal	8	Output terminal
4	Fuse	9	Load
5	Mouting grip		

X-ON Electronics

Largest Supplier of Electrical and Electronic Components

Click to view similar products for [Controllers](#) category:

Click to view products by [Optoflash](#) manufacturer:

Other Similar products are found below :

[61FGPN8DAC120](#) [CV500SLK21](#) [70177-1011](#) [F03-03 HAS C](#) [F03-31](#) [81550401](#) [FT1A-C12RA-W](#) [H2CAC24A](#) [H2CRSAC110B](#) [R88A-CRGB003CR-E](#) [R88ARR080100S](#) [R88A-TK01K](#) [DCN1-1](#) [AFP0RT32CT](#) [DRT2ID08C](#) [DTB4896VRE](#) [DTB9696LVE](#) [E53-AZ01](#) [E53E01](#) [E53E8C](#) [E5C4Q40J999FAC120](#) [E5CWLQ1TCAC100240](#) [E5GNQ03PFLKACDC24](#) [B300LKL21](#) [NSCXDC1V3](#) [NSH5-232CW-3M](#) [NT20SST122BV1](#) [NV-CN001](#) [OAS-160-N](#) [C40PEDRA](#) [K31S6](#) [K33-L1B](#) [K3MA-F](#) [100-240VAC](#) [K3TX-AD31A](#) [89750101](#) [L595020](#) [SRM1-C02](#) [SRS2-1](#) [G32X-V2K](#) [26546803](#) [26546805](#) [PWRA440A](#) [CPM1AETL03CH](#) [CV500SLK11](#) [3G2A5BI081](#) [3G2A5IA122](#) [3G2A5LK010E](#) [3G2A5OA223](#) [3G2A5OD211](#) [3G2A5PS223E](#)