

◆ Features:

- **single colour**
- **radio frequency control RF**
- **low power consumption**
- **24 months warranty**
- **suitable for power supplies**
- **suitable for RGB amplifiers**
- **PWM output**
- **transmitter and receiver in one set**
- **easy connection**

◆ Photo:**CE**

Input	Working voltage	12Vdc +/- 5% 24Vdc +/- 5%
	Static power consumption	1W
	Supply connector	Plug 2,1x5,5mm or screw terminal
Output	Output type	PWM
	Output voltage*	0-12V 0-24V
	Channel quantity	1
	Single channel max. current	8A
	Max single output power	96W (for 12Vdc) 192W (for 24Vdc)
Control	Transmission	Radio frequency (RF)
	Transmitter	3-key transmitter with touch panel
	Range	70m open area 25m close area
	Match code**	Yes
	Control without remote	Yes
Other	Working temp.	-20...+40°C
	Weight netto	110g
	Weight brutto	130g
	Controller dimension L x W x H	115 x 56 x 34 mm
	Package dimension L x W x H	120 x 84 x 45 mm
	Warranty	24m

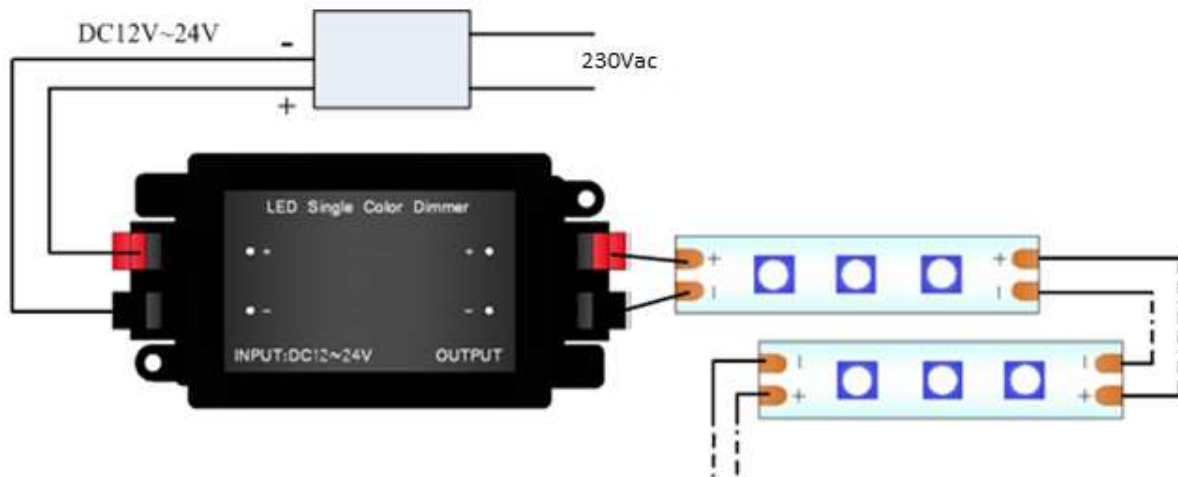
* depends on forking voltage

** match code helps do not interferenca two controllers working in the same area

◆ OUTPUT DIMMENSION

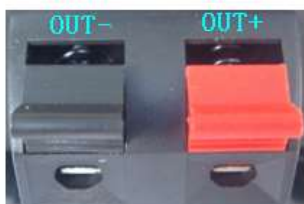


◆ TYPICAL APPLICATION



◆ CONNECTOR DESCRIPTION

RGB load



Switching power supply



◆ TOUCH REMOTE CONTROLLER DESCRIPTION

	Brightness "+"		ON/OFF
	Brightness "-"		

X-ON Electronics

Largest Supplier of Electrical and Electronic Components

Click to view similar products for [LED Displays & Accessories](#) category:

Click to view products by [Optoflash](#) manufacturer:

Other Similar products are found below :

[LTC-2721WC](#) [LTC-4624JD](#) [LTC-4627G](#) [LTC-4627WC](#) [LTD-5021AWC](#) [LTM-8522G](#) [LTP-4323P](#) [LTP-747G](#) [LTS-3361JG-06](#)
[F416SYGWA/S530-E3](#) [1668](#) [HT-F196NB-5323](#) [IPD2131-27](#) [SA03-12EWA](#) [LDD-E2802RD](#) [LDD-E306MI](#) [LDQ-N514RI](#) [LDS-A3506RD](#)
[LDS-A3926RI](#) [LDT-M516RI](#) [SC03-12HDB](#) [SI-B9T151550WW](#) [SI-B9V171550WW](#) [SLC-3PF-WL](#) [1624](#) [LTC-2621JD](#) [LTC-2623WC](#) [LTC-](#)
[4624P](#) [LTC-4627JD](#) [LTD-2601E](#) [LTD-2601P](#) [LTD-322G](#) [LTD-482PC](#) [LTP-1457AKR](#) [LTP-3784G-01](#) [LTS-313AP](#) [LTS-4812SKR-P](#) [LTS-](#)
[547AE](#) [LTS-6780P](#) [446010401-3](#) [HV-7W30-6829](#) [CA12240_MINNIE-WWW-MTG-ASSY](#) [DA43-11GWA](#) [LDD-A516RI-17](#) [LDD-E305RI](#)
[LDQ-M513RI](#) [LDQ-M5204RI-SI](#) [LDQ-N3402RI](#) [LDQ-N3606RI](#) [LDT-M2804RI](#)