

**◆ Features:**

- **single colour**
- **radio frequency control RF**
- **low power consumption**
- **24 months warranty**
- **suitable for power supplies**
- **suitable for RGB amplifiers**
- **PWM output**
- **transmitter and receiver in one set**
- **easy connection**

**◆ Photo:****CE**

|                |                                |                                     |
|----------------|--------------------------------|-------------------------------------|
| <b>Input</b>   | Working voltage                | 12Vdc +/- 5%<br>24Vdc +/- 5%        |
|                | Static power consumption       | 1W                                  |
|                | Supply connector               | Plug 2,1x5,5mm<br>or screw terminal |
| <b>Output</b>  | Output type                    | PWM                                 |
|                | Output voltage*                | 0-12V<br>0-24V                      |
|                | Channel quantity               | 1                                   |
|                | Single channel max. current    | 8A                                  |
|                | Max single output power        | 96W (for 12Vdc)<br>192W (for 24Vdc) |
| <b>Control</b> | Transmission                   | Radio frequency (RF)                |
|                | Transmitter                    | 3-key transmitter with touch panel  |
|                | Range                          | 70m open area<br>25m close area     |
|                | Match code**                   | Yes                                 |
|                | Control without remote         | Yes                                 |
| <b>Other</b>   | Working temp.                  | -20...+40°C                         |
|                | Weight netto                   | 110g                                |
|                | Weight brutto                  | 130g                                |
|                | Controller dimension L x W x H | 115 x 56 x 34 mm                    |
|                | Package dimension L x W x H    | 120 x 84 x 45 mm                    |
|                | Warranty                       | 24m                                 |

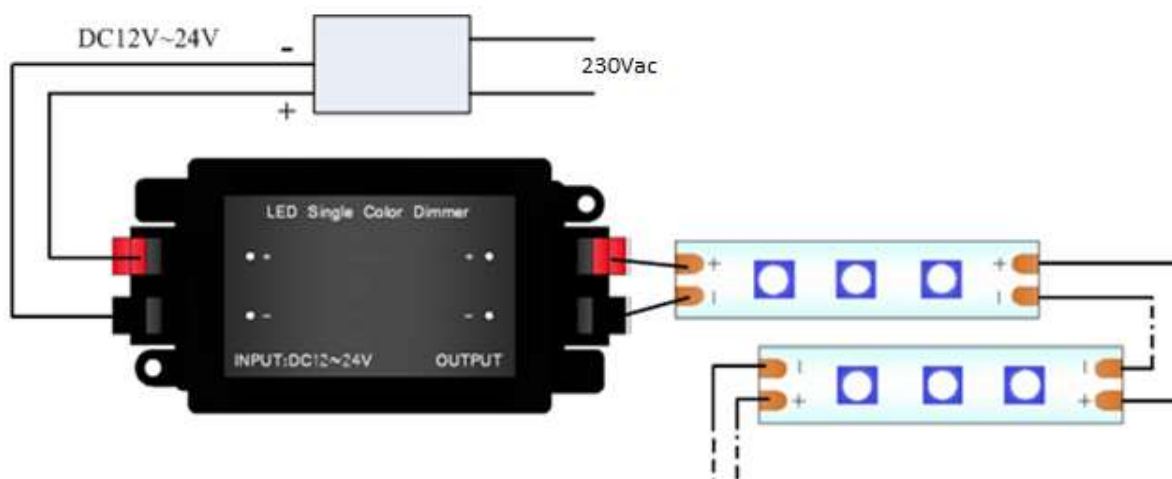
\* depends on forking voltage

\*\* match code helps do not interferenca two controllers working in the same area

## ◆ OUTPUT DIMMENSION

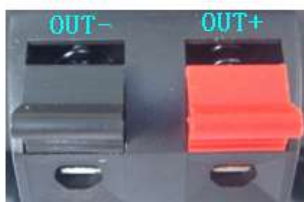


◆ **TYPICAL APPLICATION**



◆ **CONNECTOR DESCRIPTION**

RGB load



Switching power supply



◆ **TOUCH REMOTE CONTROLLER DESCRIPTION**

|   |                |   |        |
|---|----------------|---|--------|
|  | Brightness "+" |  | ON/OFF |
|  | Brightness "-" |   |        |

## X-ON Electronics

Largest Supplier of Electrical and Electronic Components

*Click to view similar products for [LED Displays & Accessories](#) category:*

*Click to view products by [Optoflash](#) manufacturer:*

Other Similar products are found below :

[LTC-2721WC](#) [LTC-4624JD](#) [LTC-4627G](#) [LTC-4627WC](#) [LTD-5021AWC](#) [LTM-8522G](#) [LTP-4323P](#) [LTP-747G](#) [LTS-3361JG-06](#)  
[F416SYGWA/S530-E3](#) [1668](#) [HT-F196NB-5323](#) [IPD2131-27](#) [SA03-12EWA](#) [LDD-E2802RD](#) [LDD-E306MI](#) [LDQ-N514RI](#) [LDS-A3506RD](#)  
[LDS-A3926RI](#) [LDT-M516RI](#) [SC03-12HDB](#) [SI-B9T151550WW](#) [SI-B9V171550WW](#) [SLC-3PF-WL](#) [1624](#) [LTC-2621JD](#) [LTC-2623WC](#) [LTC-](#)  
[4624P](#) [LTC-4627JD](#) [LTD-2601E](#) [LTD-2601P](#) [LTD-322G](#) [LTD-482PC](#) [LTP-1457AKR](#) [LTP-3784G-01](#) [LTS-313AP](#) [LTS-4812SKR-P](#) [LTS-](#)  
[547AE](#) [LTS-6780P](#) [446010401-3](#) [HV-7W30-6829](#) [CA12240\\_MINNIE-WWW-MTG-ASSY](#) [DA43-11GWA](#) [LDD-A516RI-17](#) [LDD-E305RI](#)  
[LDQ-M513RI](#) [LDQ-M5204RI-SI](#) [LDQ-N3402RI](#) [LDQ-N3606RI](#) [LDT-M2804RI](#)