

◆ **Features:**

- common anode control for RGB LED strips
- low power consumption
- 24 months warranty
- suitable for power supplies
- PWM output
- Easy connection

◆ **Photo:**

CE



<b>Input</b>	Working voltage	12Vdc +/- 5% 24Vdc +/- 5%
	Static power consumption	1W
	Supply connector	Plug 2,1x5,5mm or screw terminal
<b>Output</b>	Output type	PWM
	Output voltage*	0-12V 0-24V
	Channel quantity	3 (R,G,B)
	Single channel max. current	4A
	Full channel max current	12A
	Max single output power	48W (for 12Vdc) 96W (for 24Vdc)
	Max full channel output power	144W (for 12Vdc) 288W (for 24Vdc)
	Type control	Common anode**
<b>Other</b>	Working temp.	-20...+40°C
	Weight netto	110g
	Weight brutto	125g
	Controller dimension L x W x H	105 x 65 x 23 mm
	Package dimension L x W x H	115 x 70 x 35 mm
	Warranty	24m

\* depends on forking voltage

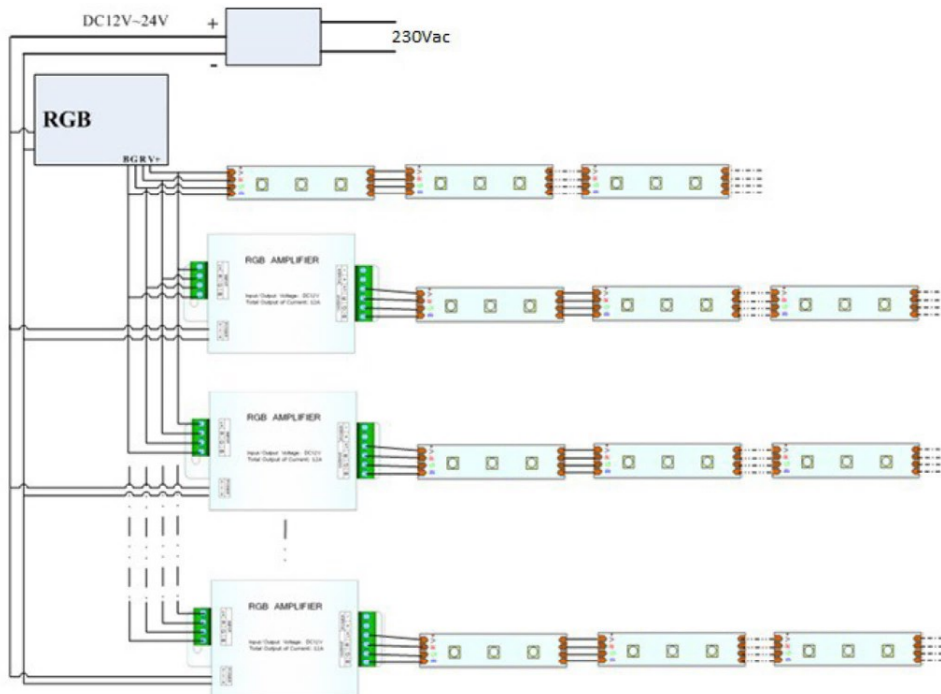
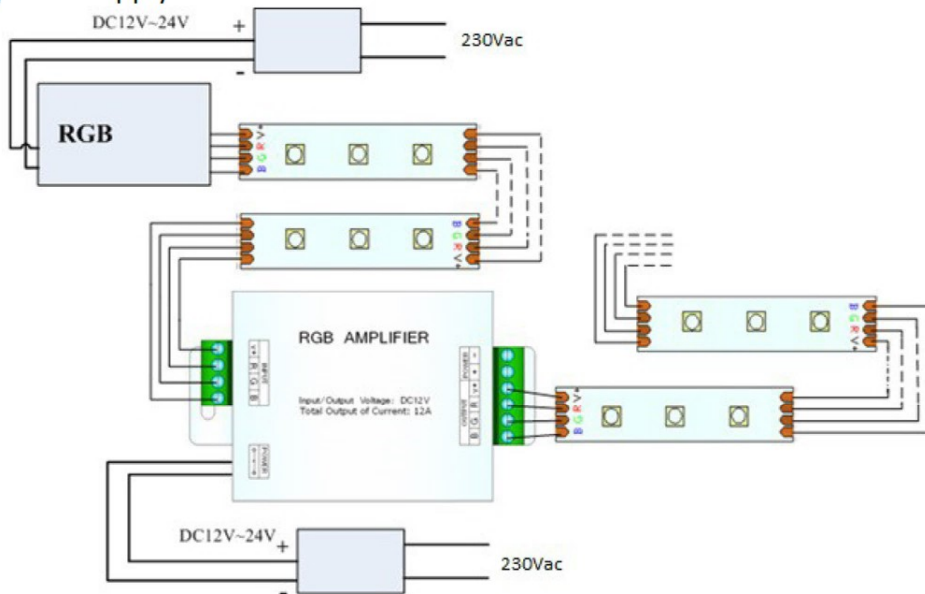
\*\* with common "+"

## ◆ OUTPUT DIMMENSION

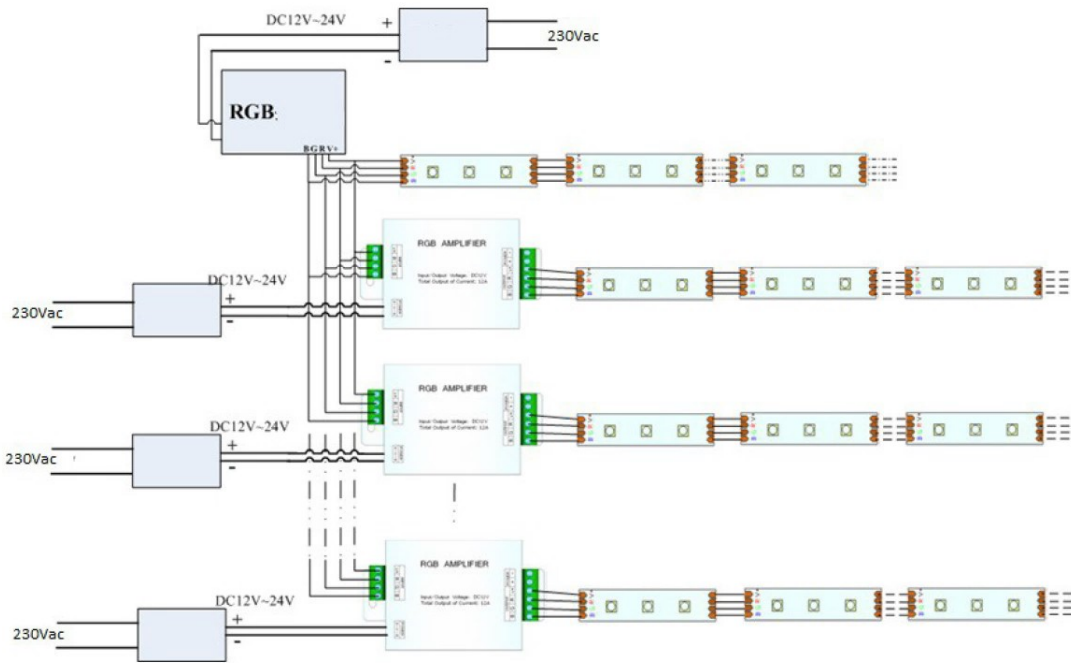
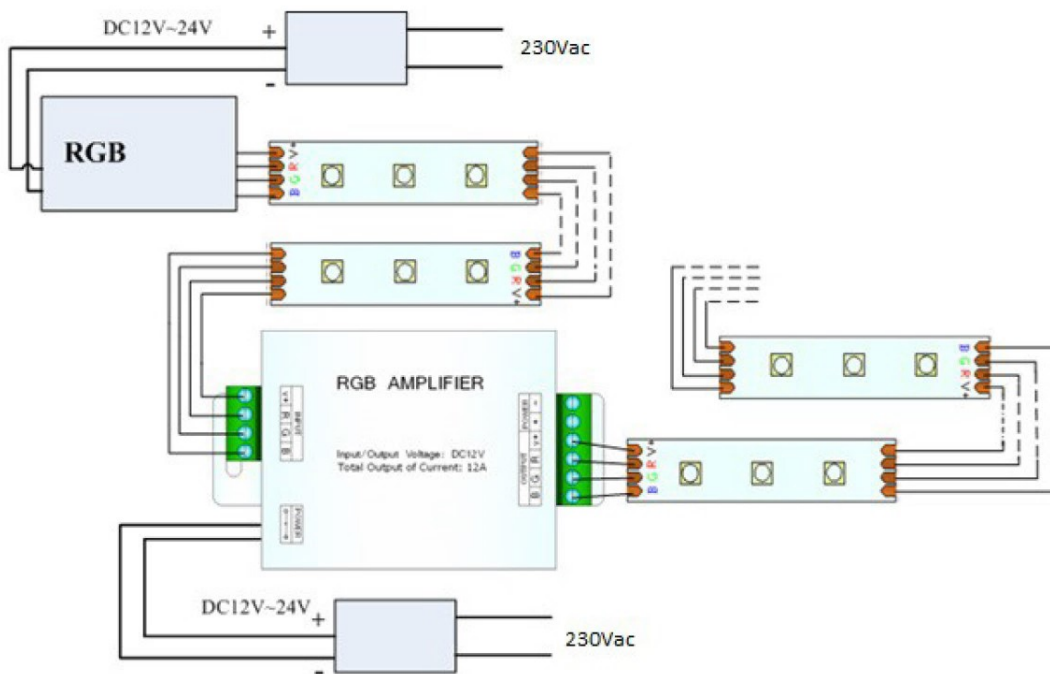


### ◆ TYPICAL APPLICATION

With common power supply



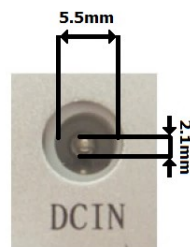
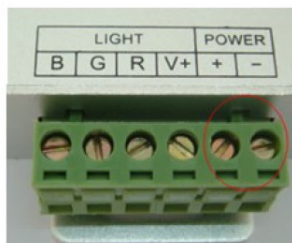
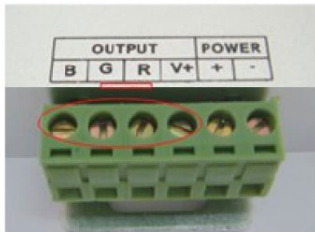
With separately power supply



◆ CONNECTOR DESCRIPTION

RGB load

Switching power supply



## X-ON Electronics

Largest Supplier of Electrical and Electronic Components

*Click to view similar products for [LED Displays & Accessories](#) category:*

*Click to view products by [Optoflash](#) manufacturer:*

Other Similar products are found below :

[891-1G02-805](#) [LTC-2721WC](#) [LTC-4627G](#) [LTD-5021AWC](#) [LTM-8328C](#) [LTM-8522G](#) [LTS-3361JG-06](#) [LTS-7673GN](#) [HT-F196NB-5323](#)  
[SA03-12EWA](#) [LDQ-N514RI](#) [LDS-A3506RD](#) [SI-B9T151550WW](#) [SI-B9V171550WW](#) [SLC-3PF-WL](#) [SLDN-32M-G](#) [1624](#) [LTC-2623WC](#)  
[LTC-4624P](#) [LTC-4627JD](#) [LTP-1057AHR](#) [LTP-1457AKR](#) [LTP-3784G-01](#) [LTS-4812SKR-P](#) [LTS-6780P](#) [HV-7W30-6829](#) [DA43-11GWA](#)  
[LDQ-N3402RI](#) [LDQ-N3606RI](#) [LDS-A3924RI-SI](#) [LTP-3862JD](#) [LTP-2088AKD](#) [LTD-6740P](#) [LTC-4727E](#) [LTS-312AY](#) [LTC-2623E](#) [CC25-](#)  
[12YWA](#) [OPS-S3911LY-GW](#) [LDF-U8004BI](#) [SLCN-42M-G](#) [SLCN-42M-W](#) [LTC-3710G](#) [LTS-4801KF](#) [ACSA04-41QWWA/D](#) [CA04-](#)  
[41SURKWA](#) [OPS-S5620SB-GW](#) [MHDC2052SRBW](#) [MHDC4022UBBW](#) [FJ3101DH](#) [FJ3561AH](#)