

## 5mm High Lumen LED

(Water Clear Type)

Item No.: OKLEDT5050XXP



### ■ Description

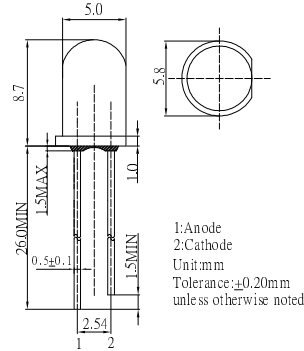
- 50pcs LED are supplied in a storage box
- Easy to use and storage, user-friendly
- High luminous LEDs
- UV resistant epoxy
- Available in all colors
- Water clear
- Perfect beam pattern

### ■ Applications

- Advertising Board
- Horticulture Application
- Traffic Light / Signal Light
- Beauty Product

### ■ Outline Dimension

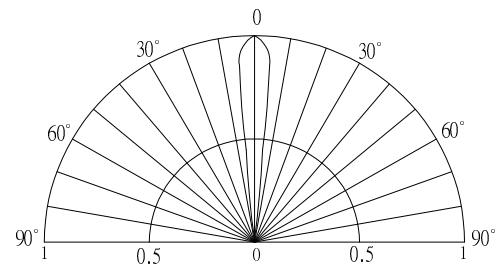
50pcs/Box (Dimensions: 80\*54\*30mm)



### ■ Absolute Maximum Rating (Ta=25°C)

Item	Symbol	Value		Unit
		R/Y/O	B/PG/PK/W	
DC Forward Current	I <sub>F</sub>	30	30	mA
Pulse Forward Current#	I <sub>FP</sub>	100	100	mA
Reverse Voltage	V <sub>R</sub>	5	5	V
Power Dissipation	P <sub>D</sub>	78	102	mW
Operating Temperature	T <sub>opr</sub>	-30 ~ +85		°C
Storage Temperature	T <sub>stg</sub>	-40 ~ +100		°C
Lead Soldering Temperature	T <sub>sol</sub>	260°C/5sec		-

### ■ Directivity

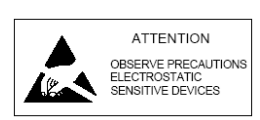


#Pulse width Max.10ms Duty ratio max 1/10

### ■ Electrical -Optical Characteristics (Ta=25°C)

High Lumen LED	Red	Yellow	Orange	Blue	Green	Pink	Warm White	Pure White
Kit Box P/N	OKLEDT5050R5P	OKLEDT5050Y5P	OKLEDT5050O5P	OKLEDT5050B5P	OKLEDT5050G5P	OKLEDT5050K5P	OKLEDT5050M3P	OKLEDT5050W6P
LED P/N	OS5RKP5111A	OS5YKP5111A	OS5OKP5111A	OSB56P5111A	OSG5GP5111A	OSK54P5111A	OSM54P5111A	OSW44P5111A
Light Color	Red	Yellow	Orange	Blue	Pure Green	Pink	Warm White	Pure White
Lens Color	Water Clear	Water Clear	Water Clear	Water Clear	Water Clear	Water Clear	Water Clear	Water Clear
WD*1/CCT*2	620-630nm	585-595nm	600-610nm	465-475nm	520-530nm	X:0.45 Y:0.17	2700-3300K	5500-8500K
Luminous Flux (typ.)*3	4.5 lm	4.5 lm	4.5 lm	3 lm	10 lm	2.5 lm	10 lm	10 lm
Forward Voltage*4	1.8-2.6V	1.8-2.6V	1.8-2.6V	2.7-3.4V	2.7-3.4V	2.7-3.4V	2.7-3.4V	2.7-3.4V
Forward Current	30mA	30mA	30mA	30mA	30mA	30mA	30mA	30mA
Viewing Angle(typ.)	15°	15°	15°	15°	15°	15°	15°	15°
Quantity(pcs)/Box	50	50	50	50	50	50	50	50

LED & Application Technologies



## **X-ON Electronics**

Largest Supplier of Electrical and Electronic Components

*Click to view similar products for [Optosupply](#) manufacturer:*

Other Similar products are found below :

[OECCDD01-300](#) [OEHW2030GF](#) [OEHW2045GF](#) [OEHW2060GF](#) [OEHW2090GF](#) [OKLEDT02406A](#) [OKLEDT3050G5V](#)  
[OKLEDT3050RBV](#) [OKLEDT3050RBW](#) [OKLEDT3050RPV](#) [OKLEDT3050RPW](#) [OKLEDT3050WAW](#) [OKLEDT30606A](#) [OKLEDT31005A](#)  
[OKLEDT3100B5](#) [OKLEDT3100G8](#) [OKLEDT3100M3](#) [OKLEDT3100M4](#) [OKLEDT3100R6](#) [OKLEDT3100W6](#) [OKLEDT3100WA](#)  
[OKLEDT3100Y5](#) [OKLEDT31203A](#) [OKLEDT31206A](#) [OKLEDT5050B5W](#) [OKLEDT5050G5W](#) [OKLEDT5050RBV](#) [OKLEDT5050RBW](#)  
[OKLEDT5050RPW](#) [OKLEDT5050TAV](#) [OKLEDT5050TAW](#) [OKLEDT5050W6P](#) [OKLEDT5050WAV](#) [OKLEDT5050WAW](#)  
[OKLEDT50606A](#) [OKLEDT50606B](#) [OKLEDT51005A](#) [OKLEDT5100B5](#) [OKLEDT5100G8](#) [OKLEDT5100M3](#) [OKLEDT5100M4](#)  
[OKLEDT5100R6](#) [OKLEDT5100W6](#) [OKLEDT5100WA](#) [OKLEDT5100Y5](#) [OKLEDT51203A](#) [OKLEDT51206A](#) [OKLEDT8050G5V](#)  
[OKLEDT8050G5W](#) [OKLEDT8050M3V](#)