

5mm LED Series

Item No.: OKLEDT5100B5



■Description

- 100pcs standard 5mm LED are supplied in a storage box
- Easy to use and storage
- Widely applied to DIY projects, school science experiments, car decorations, etc.

■Features

- 5mm round standard 30° directivity
- UV resistant epoxy
- Blue color
- Color diffused

■Absolute Maximum Rating (Ta=25°C)

Item	Symbol	Value	Unit
		Blue	
DC Forward Current	I _F	30	mA
Pulse Forward Current#	I _{FP}	100	V
Reverse Voltage	V _R	5	mW
Power Dissipation	P _D	102	°C
Operating Temperature	T _{opr}	-30 ~ +85	°C
Storage Temperature	T _{stg}	-40~ +100	-
Lead Soldering Temperature	T _{sol}	260°C/5sec	Unit

#Pulse width Max.10ms Duty ratio max 1/10

■Electrical -Optical Characteristics (Ta=25°C)

5mm LED	
LED P/N	OSB55134A
Light Color	Blue
Lens Color	Blue Diffused
Wavelength*1	462.5-472.5nm
Luminous Intensity(typ.)*2	2180mcd
Forward Voltage*3	2.7-3.4V
Forward Current	20mA
Viewing Angle(typ.)	30°
Quantity(pcs)/Box	100

*1 Tolerance of measurements of dominant wavelength is ±1nm

*2 Tolerance of measurements of luminous intensity is ±15%

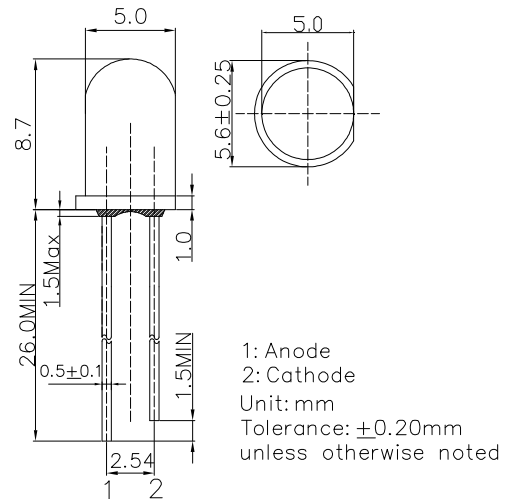
*3 Tolerance of measurements of forward voltage is ±0.1V

■Product Picture

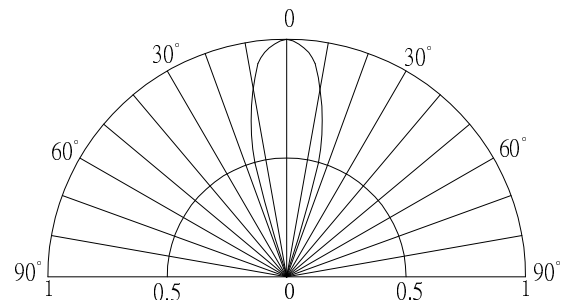
100pcs/Box (Dimensions: 90*65*30mm)



■Outline Dimension



■Directivity



X-ON Electronics

Largest Supplier of Electrical and Electronic Components

Click to view similar products for [Optosupply](#) manufacturer:

Other Similar products are found below :

[OECCDD01-300](#) [OEHW2030GF](#) [OEHW2045GF](#) [OEHW2060GF](#) [OEHW2090GF](#) [OKLEDT3050G5V](#) [OKLEDT3050RBV](#)
[OKLEDT3050RBW](#) [OKLEDT3050RPV](#) [OKLEDT3050RPW](#) [OKLEDT3050WAW](#) [OKLEDT30606A](#) [OKLEDT3100B5](#) [OKLEDT3100G8](#)
[OKLEDT3100M3](#) [OKLEDT3100M4](#) [OKLEDT3100R6](#) [OKLEDT3100W6](#) [OKLEDT3100Y5](#) [OKLEDT31203A](#) [OKLEDT31206A](#)
[OKLEDT5050B5W](#) [OKLEDT5050G5W](#) [OKLEDT5050RBV](#) [OKLEDT5050RBW](#) [OKLEDT5050RPW](#) [OKLEDT5050TAW](#)
[OKLEDT5050WAV](#) [OKLEDT50606A](#) [OKLEDT50606B](#) [OKLEDT5100B5](#) [OKLEDT5100G8](#) [OKLEDT5100M3](#) [OKLEDT5100R6](#)
[OKLEDT5100W6](#) [OKLEDT5100WA](#) [OKLEDT5100Y5](#) [OKLEDT51203A](#) [OKLEDT8050G5V](#) [OKLEDT8050G5W](#) [OKLEDT8050M3V](#)
[OKLEDT8050R5V](#) [OKLEDT8050RBV](#) [OKLEDT8050RPW](#) [OKLEDT8050WAW](#) [OPDK-G5DA8B31F](#) [OPDK-W5DK8B31F](#) [OPDK-](#)
[Y5CA8B31F](#) [OPDO-M5DK8B31F](#) [OS2MDK3131A](#)