



■Description

- 100pcs standard 5mm LED are supplied in a storage box
- Easy to use and storage
- Widely applied to DIY projects, school science experiments, car decorations, etc.

■Features

- 5mm round standard 30° directivity
- UV resistant epoxy
- Yellow green color
- Color diffused

■Absolute Maximum Rating (Ta=25°C)

| Item | Symbol | Value | Unit |
|----------------------------|------------------|--------------|------|
| | | Yellow Green | |
| DC Forward Current | I _F | 30 | mA |
| Pulse Forward Current# | I _{FP} | 100 | V |
| Reverse Voltage | V _R | 5 | mW |
| Power Dissipation | P _D | 72 | °C |
| Operating Temperature | T _{opr} | -30 ~ +85 | °C |
| Storage Temperature | T _{stg} | -40~ +100 | - |
| Lead Soldering Temperature | T _{sol} | 260°C/5sec | Unit |

#Pulse width Max.10ms Duty ratio max 1/10

■Electrical -Optical Characteristics (Ta=25°C)

| 5mm LED | |
|----------------------------|----------------|
| LED P/N | OSG85134A |
| Light Color | Yellow Green |
| Lens Color | Green Diffused |
| Wavelength*1 | 565-575nm |
| Luminous Intensity(typ.)*2 | 90mcd |
| Forward Voltage*3 | 1.8-2.4V |
| Forward Current | 20mA |
| Viewing Angle(typ.) | 30° |
| Quantity(pcs)/Box | 100 |

*1 Tolerance of measurements of dominant wavelength is ±1nm

*2 Tolerance of measurements of luminous intensity is ±15%

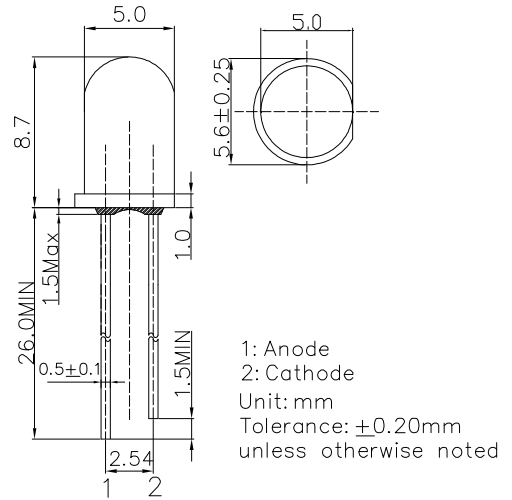
*3 Tolerance of measurements of forward voltage is ±0.1V

■Product Picture

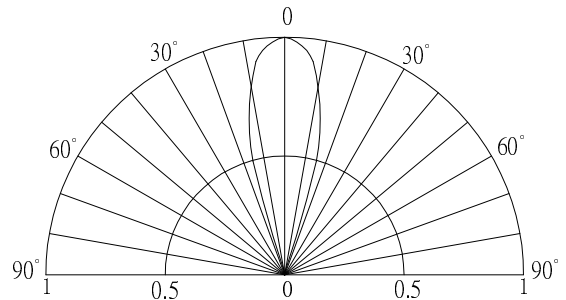
100pcs/Box (Dimensions: 90*65*30mm)



■Outline Dimension



■Directivity



X-ON Electronics

Largest Supplier of Electrical and Electronic Components

Click to view similar products for [Optosupply](#) manufacturer:

Other Similar products are found below :

[OECCDD01-300](#) [OEHW2030GF](#) [OEHW2045GF](#) [OEHW2060GF](#) [OEHW2090GF](#) [OKLEDT3050G5V](#) [OKLEDT3050RBV](#)
[OKLEDT3050RBW](#) [OKLEDT3050RPV](#) [OKLEDT3050RPW](#) [OKLEDT3050WAW](#) [OKLEDT30606A](#) [OKLEDT3100B5](#) [OKLEDT3100G8](#)
[OKLEDT3100M3](#) [OKLEDT3100M4](#) [OKLEDT3100R6](#) [OKLEDT3100W6](#) [OKLEDT3100Y5](#) [OKLEDT31203A](#) [OKLEDT31206A](#)
[OKLEDT5050B5W](#) [OKLEDT5050G5W](#) [OKLEDT5050RBV](#) [OKLEDT5050RBW](#) [OKLEDT5050RPW](#) [OKLEDT5050TAW](#)
[OKLEDT5050WAV](#) [OKLEDT50606A](#) [OKLEDT50606B](#) [OKLEDT5100B5](#) [OKLEDT5100G8](#) [OKLEDT5100M3](#) [OKLEDT5100R6](#)
[OKLEDT5100W6](#) [OKLEDT5100WA](#) [OKLEDT5100Y5](#) [OKLEDT51203A](#) [OKLEDT8050G5V](#) [OKLEDT8050G5W](#) [OKLEDT8050M3V](#)
[OKLEDT8050R5V](#) [OKLEDT8050RBV](#) [OKLEDT8050RPW](#) [OKLEDT8050WAW](#) [OPDK-G5DA8B31F](#) [OPDK-W5DK8B31F](#) [OPDK-](#)
[Y5CA8B31F](#) [OPDO-M5DK8B31F](#) [OS2MDK3131A](#)