

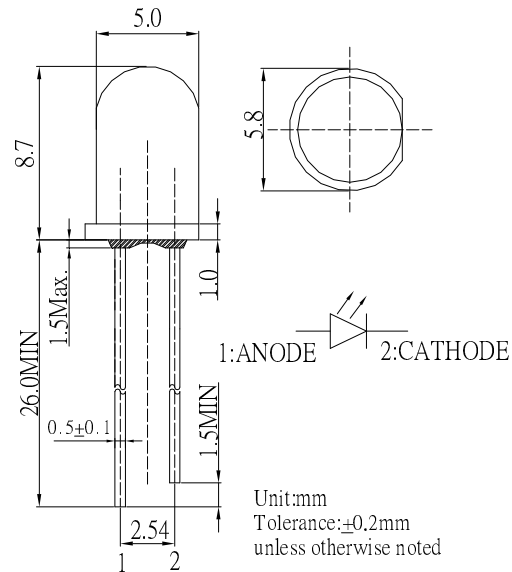
**■ Features**

- High luminous Flux LEDs
- 5mm Round Standard Directivity
- UV Resistant Epoxy
- Water Clear Type

**■ Applications**

- Backlighting (illuminated advertising etc.)
- Substitution of Micro Incandescent Lamps
- Reading Lamps / Emergency Lighting
- Marker lights (e.g. steps, exit ways, etc.)
- Other Lighting

**■ Outline Dimension**

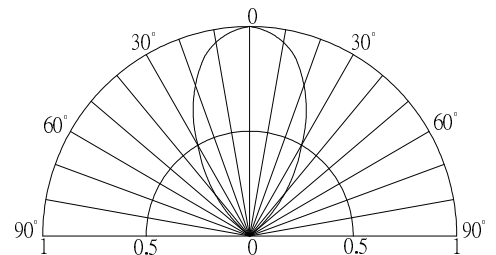


**■ Absolute Maximum Rating (Ta=25°C)**

Item	Symbol	Value	Unit
DC Forward Current	I <sub>F</sub>	60	mA
Pulse Forward Current#	I <sub>FP</sub>	120	mA
Reverse Voltage	V <sub>R</sub>	5	V
Power Dissipation	P <sub>D</sub>	216	mW
Operating Temperature	T <sub>opr</sub>	-30 ~ +85	°C
Storage Temperature	T <sub>stg</sub>	-40 ~ +100	°C
Lead Soldering Temperature	T <sub>sol</sub>	260°C/5sec	-

#Pulse width Max 10ms , Duty ratio max 1/10

**■ Directivity**



**■ Electrical -Optical Characteristics (Ta=25°C)**

Item	Symbol	Condition	Min.	Typ.	Max.	Unit
DC Forward Voltage*1	V <sub>F</sub>	I <sub>F</sub> =50mA	2.8	3.1	3.6	V
DC Reverse Current	I <sub>R</sub>	V <sub>R</sub> =5V	-	-	10	μA
Luminous Flux*2	Φ <sub>v</sub>	I <sub>F</sub> =50mA	19	21	-	lm
Luminous Intensity*3	I <sub>v</sub>	I <sub>F</sub> =50mA	20000	25000	-	mcd
Color Temperature*4	CCT	I <sub>F</sub> =50mA	5500	6500	8500	K
Chromaticity Coordinates*5	x	I <sub>F</sub> =50mA	-	0.31	-	
	y	I <sub>F</sub> =50mA	-	0.33	-	
50% Power Angle	2θ <sub>1/2</sub>	I <sub>F</sub> =50mA	-	60	-	deg

\*1 Tolerance of measurements of forward voltage is ±0.1V  
 \*2 Tolerance of measurements of luminous flux is ±15%  
 \*3 Tolerance of measurements of luminous intensity is ±15%  
 \*4 Tolerance of measurements of color temperature is ±10%  
 \*5 Tolerance of measurements of chromaticity coordinates is ±10%

## X-ON Electronics

Largest Supplier of Electrical and Electronic Components

*Click to view similar products for [Optosupply](#) manufacturer:*

Other Similar products are found below :

[OSB5SA5111A-CRLED16](#) [OSB5SA83C1A](#) [OSX10201-YGR1](#) [OS5YKP5111A](#) [OS5YPM8131A](#) [OS5YAA5HA4D-1-ST](#) [OS6OGA5B61P](#)  
[OSW5DK5A31A-CRLED18](#) [OSY5PA5A31A-1MA](#) [OSO5JA3FE1B-12V](#) [OKLEDT30606A](#) [OSPT9054X3A](#) [OKLEDT5050RPW](#)  
[OSL10564-IB](#) [OSO5PA58A1B-12V](#) [OKLEDT8050G5W](#) [OKLEDT8050RPW](#) [OSGGD251A5A](#) [OKLEDT3050RBW](#) [OSYYP251A5A](#)  
[OKLEDT5050B5W](#) [OSB5DA3HA1F](#) [OSYBP2A131A](#) [OKLEDT3050RBV](#) [OKLEDT3050WAW](#) [OSL12306-16-IRA](#) [OSY5MP5A34A-](#)  
[6.8HZ](#) [OKLEDT5050RBV](#) [OKLEDT8050RBV](#) [OKLEDT3050RPW](#) [OKLEDT5050WAV](#) [OSWRP23962B](#) [OKLEDT5050TAW](#)  
[OKLEDT8050G5V](#) [OKLEDT8050WAW](#) [OSY5MSA131A](#) [OSXD2201-AGA](#) [OKLEDT3050RPV](#) [OKLEDT5050RBW](#) [OSL10601-IRA](#)  
[OKLEDT8050RPV](#) [OKLEDT8050TAW](#) [OSL10326-LY](#) [OKLEDT5050WAW](#) [OSCM4TS4C1A](#) [OSM5XAHEE1E](#) [OS6OGA3131P](#)  
[OSL10564-IYG](#) [OSO5PA56A1A-CRLED14](#) [OSRGH23NE2A](#)