

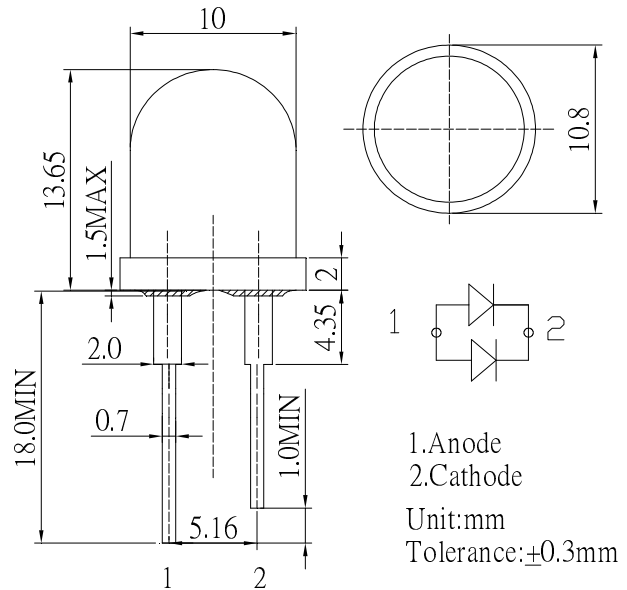
■ Features

- High Luminous LEDs
- 10mm Round Standard Directivity
- UV Resistant Epoxy
- Water Clear Type

■ Applications

- Backlighting (Illuminated advertising, general lighting, etc)
- Interior and exterior automotive lighting
- Traffic signaling / Beacons
- Other Lighting

■ Outline Dimension



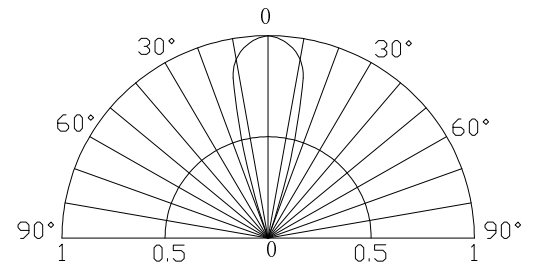
■ Absolute Maximum Rating

(Ta=25°C)

Item	Symbol	Value	Unit
DC Forward Current	I _F	150	mA
Pulse Forward Current#	I _{FP}	200	mA
Reverse Voltage	V _R	5	V
Power Dissipation	P _D	390	mW
Operating Temperature	T _{opr}	-30 ~ +85	°C
Storage Temperature	T _{stg}	-40 ~ +100	°C
Lead Soldering Temperature	T _{sol}	260°C/5sec	-

#Pulse width Max 10ms , Duty ratio max 1/10

■ Directivity



■ Electrical -Optical Characteristics

(Ta=25°C)

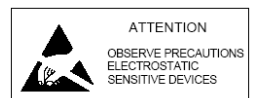
Item	Symbol	Condition	Min.	Typ.	Max.	Unit
DC Forward Voltage*	V _F	I _F =130mA	2.0	2.3	2.6	V
DC Reverse Current	I _R	V _R =5V	-	-	20	μA
Luminous Flux*	Φ _v	I _F =130mA	20	26	-	lm
Domi Wavelength*	λ _D	I _F =130mA	600	605	610	nm
50% Power Angle	2θ _{1/2}	I _F =130mA	-	30	-	deg

*1 Tolerance of measurements of dominant wavelength is +1nm

*2 Tolerance of measurements of luminous intensity is +15%

*3 Tolerance of measurements of forward voltage is ±0.1V

LED & Application Technologies



X-ON Electronics

Largest Supplier of Electrical and Electronic Components

Click to view similar products for [Optosupply](#) manufacturer:

Other Similar products are found below :

[OECCDD01-300](#) [OEHW2030GF](#) [OEHW2045GF](#) [OEHW2060GF](#) [OEHW2090GF](#) [OKLEDT02406A](#) [OKLEDT3050G5V](#)
[OKLEDT3050RBV](#) [OKLEDT3050RBW](#) [OKLEDT3050RPV](#) [OKLEDT3050RPW](#) [OKLEDT3050WAW](#) [OKLEDT30606A](#) [OKLEDT31005A](#)
[OKLEDT3100B5](#) [OKLEDT3100G8](#) [OKLEDT3100M3](#) [OKLEDT3100M4](#) [OKLEDT3100R6](#) [OKLEDT3100W6](#) [OKLEDT3100WA](#)
[OKLEDT3100Y5](#) [OKLEDT31203A](#) [OKLEDT31206A](#) [OKLEDT5050B5W](#) [OKLEDT5050G5W](#) [OKLEDT5050RBV](#) [OKLEDT5050RBW](#)
[OKLEDT5050RPW](#) [OKLEDT5050TAV](#) [OKLEDT5050TAW](#) [OKLEDT5050W6P](#) [OKLEDT5050WAV](#) [OKLEDT5050WAW](#)
[OKLEDT50606A](#) [OKLEDT50606B](#) [OKLEDT51005A](#) [OKLEDT5100B5](#) [OKLEDT5100G8](#) [OKLEDT5100M3](#) [OKLEDT5100M4](#)
[OKLEDT5100R6](#) [OKLEDT5100W6](#) [OKLEDT5100WA](#) [OKLEDT5100Y5](#) [OKLEDT51203A](#) [OKLEDT51206A](#) [OKLEDT8050G5V](#)
[OKLEDT8050G5W](#) [OKLEDT8050M3V](#)