

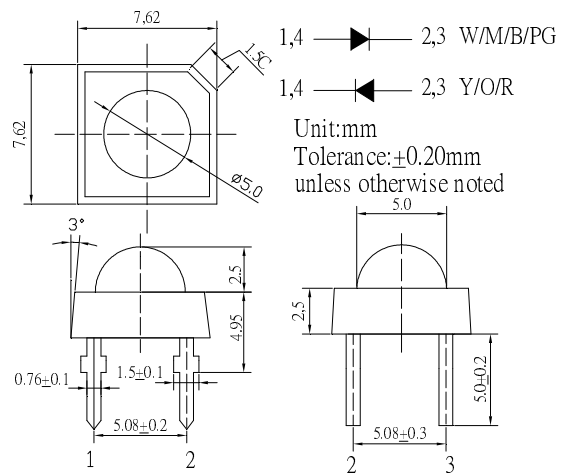
**■Features**

- High Luminous Super Flux Output
- 5 ° Standard Directivity
- Superior Weather-resistance
- UV Resistant Epoxy
- Water Clear Type

**■Applications**

- Traffic Signal
- Backlighting
- Signal and channel letter
- Other Lighting

**■Outline Dimension**

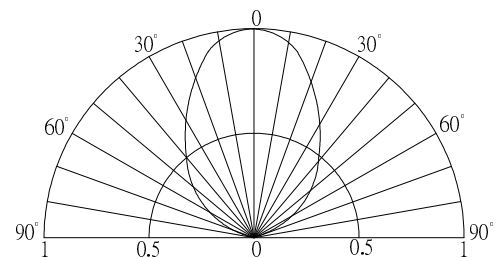


**■Absolute Maximum Rating**

(Ta=25°C)

| Item                       | Symbol           | Value      |       | Unit |
|----------------------------|------------------|------------|-------|------|
|                            |                  | W/M/B/PG   | Y/O/R |      |
| DC Forward Current         | I <sub>F</sub>   | 80         | 80    | mA   |
| Pulse Forward Current*     | I <sub>FP</sub>  | 120        | 120   | mA   |
| Reverse Voltage            | V <sub>R</sub>   | 5          | 5     | V    |
| Power Dissipation          | P <sub>D</sub>   | 288        | 224   | mW   |
| Operating Temperature      | T <sub>opr</sub> | -30 ~ +85  |       | °C   |
| Storage Temperature        | T <sub>stg</sub> | -40~ +100  |       | °C   |
| Lead Soldering Temperature | T <sub>sol</sub> | 260°C/5sec |       | -    |

**■Directivity**



\*Pulse width Max.10ms Duty ratio max 1/10

**■Electrical -Optical Characteristics**

(Ta=25°C)

| Part Number | Color      |    |   | V <sub>F</sub> (V)   |      |      | I <sub>R</sub> (μA) | Φ <sub>V</sub> (LM) |      |                      | I <sub>v</sub> (mcd) |       |      | Wd(nm)/CCT(K)             |      |      | 2θ1/2(deg) |
|-------------|------------|----|---|----------------------|------|------|---------------------|---------------------|------|----------------------|----------------------|-------|------|---------------------------|------|------|------------|
|             |            |    |   | Min.                 | Typ. | Max. | Max.                | Min.                | Typ. | Max.                 | Min.                 | Typ.  | Max. | Min.                      | Typ. | Max. | Typ.       |
|             |            |    |   | I <sub>F</sub> =75mA |      |      | V <sub>R</sub> =5V  |                     |      | I <sub>F</sub> =75mA |                      |       |      |                           |      |      |            |
| OSW47LZ281P | White      | W  |   | 2.8                  | 3.2  | 3.6  | 10                  | 18                  | 20   | -                    | 10000                | 12000 | -    | 5500-8500K(X:0.31,Y:0.34) |      |      | 80         |
| OSM57LZ281P | Warm White | M  | ■ | 2.8                  | 3.2  | 3.6  | 10                  | 17                  | 19   | -                    | 8400                 | 10000 | -    | 2700-3200K(X:0.44,Y:0.41) |      |      | 80         |
| OSB56LZ281P | Blue       | BL | ■ | 2.8                  | 3.3  | 3.6  | 10                  | 4                   | 5    | -                    | 2180                 | 3000  | -    | 465                       | 470  | 475  | 80         |
| OSG59LZ281P | Pure Green | PG | ■ | 2.8                  | 3.3  | 3.6  | 10                  | 18                  | 20   | -                    | 10000                | 12000 | -    | 520                       | 525  | 530  | 80         |
| OS6YKAZ281P | Amber      | Y  | ■ | 2.0                  | 2.4  | 2.8  | 10                  | 8                   | 10   | -                    | 4200                 | 5800  | -    | 590                       | 595  | 600  | 80         |
| OS5OKAZ281P | Orange     | O  | ■ | 2.0                  | 2.4  | 2.8  | 10                  | 8                   | 10   | -                    | 4200                 | 5800  | -    | 600                       | 605  | 610  | 80         |
| OS5RKAZ281P | Red        | R  | ■ | 2.0                  | 2.4  | 2.8  | 10                  | 8                   | 10   | -                    | 4200                 | 5800  | -    | 620                       | 625  | 630  | 80         |

- \*1 Tolerance of measurements of chromaticity coordinate is ±10%
- \*2 Tolerance of measurements of color temperature is ±10%
- \*3 Tolerance of measurements of dominant wavelength is ±1nm
- \*4 Tolerance of measurements of luminous flux is ±15%
- \*5 Tolerance of measurements of forward voltage is ±0.1V

## X-ON Electronics

Largest Supplier of Electrical and Electronic Components

*Click to view similar products for [Optosupply](#) manufacturer:*

Other Similar products are found below :

[OECCDD01-300](#) [OEHW2030GF](#) [OEHW2045GF](#) [OEHW2060GF](#) [OEHW2090GF](#) [OKLEDT3050G5V](#) [OKLEDT3050RBV](#)  
[OKLEDT3050RBW](#) [OKLEDT3050RPV](#) [OKLEDT3050RPW](#) [OKLEDT3050WAW](#) [OKLEDT30606A](#) [OKLEDT3100B5](#) [OKLEDT3100G8](#)  
[OKLEDT3100M3](#) [OKLEDT3100M4](#) [OKLEDT3100R6](#) [OKLEDT3100W6](#) [OKLEDT3100Y5](#) [OKLEDT31203A](#) [OKLEDT31206A](#)  
[OKLEDT5050B5W](#) [OKLEDT5050G5W](#) [OKLEDT5050RBV](#) [OKLEDT5050RBW](#) [OKLEDT5050RPW](#) [OKLEDT5050TAW](#)  
[OKLEDT5050WAV](#) [OKLEDT50606A](#) [OKLEDT50606B](#) [OKLEDT5100B5](#) [OKLEDT5100G8](#) [OKLEDT5100M3](#) [OKLEDT5100R6](#)  
[OKLEDT5100W6](#) [OKLEDT5100WA](#) [OKLEDT5100Y5](#) [OKLEDT51203A](#) [OKLEDT8050G5V](#) [OKLEDT8050G5W](#) [OKLEDT8050M3V](#)  
[OKLEDT8050R5V](#) [OKLEDT8050RBV](#) [OKLEDT8050RPW](#) [OKLEDT8050WAW](#) [OPDK-G5DA8B31F](#) [OPDK-W5DK8B31F](#) [OPDK-](#)  
[Y5CA8B31F](#) [OPDO-M5DK8B31F](#) [OS2MDK3131A](#)