

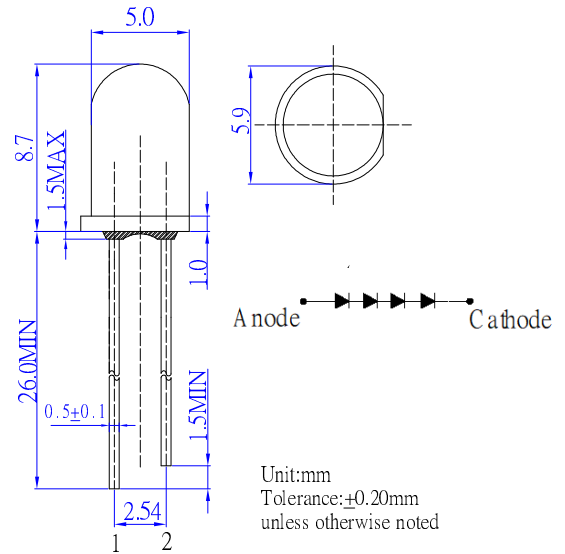
■ **Features**

- High Lumen Output
- 5mm Round Standard Directivity
- UV Resistant Epoxy
- Long Lifetime Operation
- Water Clear Type

■ **Applications**

- Electronic Signs And Signals
- Small Area Illuminations
- Back Lighting
- Other Lighting

■ **Outline Dimension**

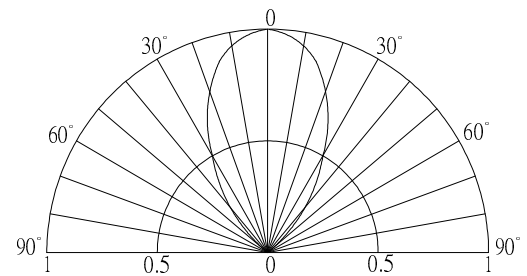


■ **Absolute Maximum Rating**

(Ta=25°C)

Item	Symbol	Value		Unit
		B/PG/W	Y/O/R	
DC Forward Current	I <sub>F</sub>	25	25	mA
Pulse Forward Current#	I <sub>FP</sub>	40	40	mA
Reverse Voltage	V <sub>R</sub>	20	20	V
Power Dissipation	P <sub>D</sub>	340	260	mW
Operating Temperature	T <sub>opr</sub>	-30 ~ +85		°C
Storage Temperature	T <sub>stg</sub>	-40 ~ +100		°C
Lead Soldering Temperature	T <sub>sol</sub>	260°C/5sec		-

■ **Directivity**



#Pulse width Max.10ms Duty ratio max 1/10

■ **Electrical -Optical Characteristics**

(Ta=25°C)

Part Number	Color		V <sub>F</sub> (V)*			I <sub>R</sub> (μA)	Φ <sub>V</sub> (LM)*			Wd(nm)/CCT(K)*			2θ1/2(deg)
			Min.	Typ.	Max.	Max.	Min.	Typ.	Max.	Min.	Typ.	Max.	Typ.
			I <sub>F</sub> =20mA			V <sub>R</sub> =20V		I <sub>F</sub> =20mA					
OSW4745B61A	White	W	-	12	13.6	10	30	32	-	5500-8500K(X:0.31,Y:0.33)			60
OSM5745B61A	Warm white	M	-	12	13.6	10	25	27	-	2700-3300K(X:0.44,Y:0.41)			60
OSB5645B61A	Blue	B	-	12	13.6	10	6	8	-	465	470	475	60
OSG5945B61A	Pure Green	PG	-	12	13.6	10	20	22	-	520	525	530	60
OS5YA45B61A	Yellow	Y	-	8.4	10.4	10	8	10	-	585	590	595	60
OS5OG45B61A	Orange	O	-	8.4	10.4	10	9	11	-	600	605	610	60
OS5RA45B61A	Red	R	-	8.4	10.4	10	8	10	-	620	625	630	60

\*1 Tolerance of measurements of forward voltage is ±0.1V

\*2 Tolerance of measurements of luminous flux is ±15%

\*3 Tolerance of measurements of dominant wavelength is ±1nm

\*4 Tolerance of measurements of chromaticity coordinate is ±10%

\*5 Tolerance of measurements of color temperature is ±10%

## X-ON Electronics

Largest Supplier of Electrical and Electronic Components

*Click to view similar products for [Standard LEDs - Through Hole category:](#)*

*Click to view products by [Optosupply manufacturer:](#)*

Other Similar products are found below :

[LTL-10234W](#) [LTL-10254W](#) [LTL-1214A](#) [LTL-2231AT](#) [LTL2H3HRKL13](#) [LTL-3251A](#) [LTL-4262N](#) [LTL-5234](#) [LTL87HTBK](#) [LTW-87HD4B](#) [7383/V7C3-BSTA-L/PR3/MS](#) [1L0532V23G0TD001](#) [LNX998CKBDA](#) [LO566UHR3-70G-A3](#) [LP379PPG1C0G0300001](#) [SLR-322MCT32](#) [SLR-342VCTB7](#) [SLR343BCTT32](#) [SLX-LX3044GD](#) [SLX-LX3044ID](#) [SLX-LX3044YD](#) [SSS-LX4673ID-410B](#)  
[1L0532Y24I0TD001](#) [264-7SYGD/S530-E2](#) [HLMP1385](#) [LTL-10224W](#) [LTL-1224A](#) [LTL-1BEHJ-012](#) [LU7-E-B](#) [4380H1](#) [TLHY44K1L2](#)  
[484-10SYGT/S530-E2](#) [L53SRC/E-Z](#) [L-7679C1ZGC](#) [4302T1-5V](#) [4306D23](#) [4363D1/5](#) [WP1503SRC/J4](#) [WP153GDT](#) [WP153YDT](#)  
[WP1543SGC](#) [WP1543SURC](#) [WP7113HD](#) [WP7113MBD](#) [WP7113MGC](#) [WP7143SEC/H](#) [Z-221A](#) [ZD0172](#) [EALP05RDEWA2](#) [SLR-332MCT32](#)