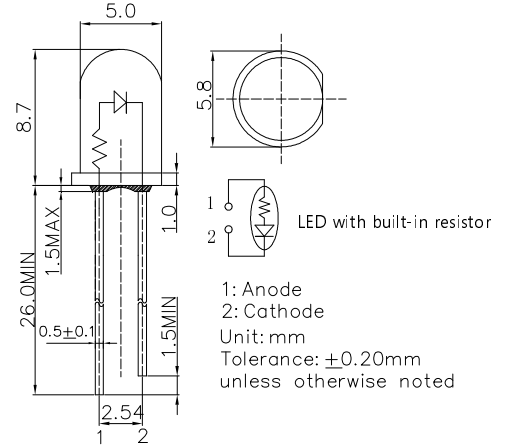

**■ Description**

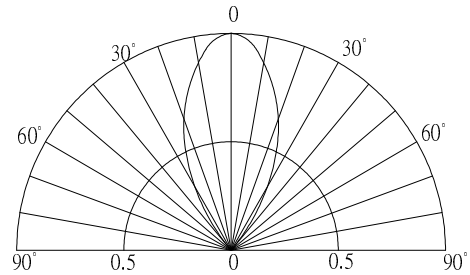
This LED builds with internal resistor to operate with wide operation voltage of DC3-15V.

**■ Outline Dimension**

**■ Features**

- Wide Input Voltage
- Cost Saving and Space Saving
- Diffused Type
- Single Color

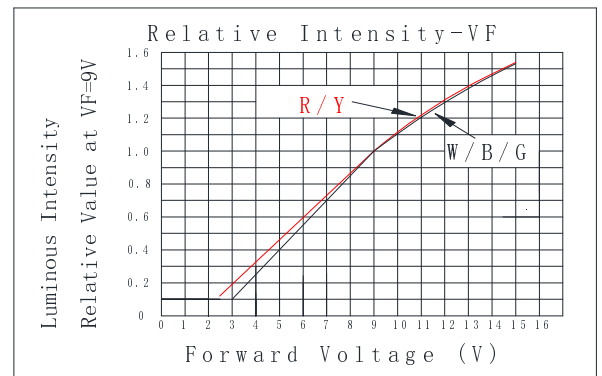
**■ Applications**

- Toys/Game/Audio
- TTL/Cmos Compatible
- Arduino/Pi Pico/Steam Kit
- Other Electronics Products

**■ Directivity**

**■ Absolute Maximum Rating**

(Ta=25°C)

Item	Symbol	Value	Unit
DC Forward Voltage	V <sub>F</sub>	15	V
Reverse Voltage	V <sub>R</sub>	12	V
Power Dissipation	P <sub>D</sub>	190	mW
Operating Temperature	Topr	-30 ~ +85	°C
Storage Temperature	Tstg	-40 ~ +100	°C
Lead Soldering Temperature	Tsol	260°C/5sec	-

**■ Optical Characteristic Curves**

**■ Electrical -Optical Characteristics**

(Ta=25°C)

5mm Multi-Voltage LED						
<b>LED P/N</b>	OSR55154A-VV	OSY55154A-VV	OSB55154A-VV	OSG55154A-VV	OSM55152A-VV	OSW55152A-VV
<b>Light Color</b>	Red	Yellow	Blue	Pure Green	Warm White	Cool White
<b>Lens Color</b>	Red Diffused	Yellow Diffused	Blue Diffused	Green Diffused	White Diffused	White Diffused
<b>Wavelength*1/Color Temperature*2</b>	620-630nm	585-595nm	465-475m	520-530nm	2700-3300K	8500-18000K
<b>Luminous Intensity(typ.)*3</b>	220mcd	220mcd	150mcd	750mcd	750mcd	750mcd
<b>Forward Voltage(typ.)</b>	9V	9V	9V	9V	9V	9V
<b>Forward Current(typ.)</b>	8mA	8mA	7.5mA	7.5mA	7.5mA	7.5mA
<b>Viewing Angle(typ.)</b>	50°	50°	50°	50°	50°	50°

\*1 Tolerance of measurements of dominant wavelength is ±1nm

\*2 Tolerance of measurements of color temperature is ±10%

\*3 Tolerance of measurements of luminous intensity is ±15%

## X-ON Electronics

Largest Supplier of Electrical and Electronic Components

*Click to view similar products for [Optosupply](#) manufacturer:*

Other Similar products are found below :

[OECCDD01-300](#) [OEHW2030GF](#) [OEHW2045GF](#) [OEHW2060GF](#) [OEHW2090GF](#) [OKLEDT02406A](#) [OKLEDT3050G5V](#)  
[OKLEDT3050RBV](#) [OKLEDT3050RBW](#) [OKLEDT3050RPV](#) [OKLEDT3050RPW](#) [OKLEDT3050WAW](#) [OKLEDT30606A](#) [OKLEDT31005A](#)  
[OKLEDT3100B5](#) [OKLEDT3100G8](#) [OKLEDT3100M3](#) [OKLEDT3100M4](#) [OKLEDT3100R6](#) [OKLEDT3100W6](#) [OKLEDT3100WA](#)  
[OKLEDT3100Y5](#) [OKLEDT31203A](#) [OKLEDT31206A](#) [OKLEDT5050B5W](#) [OKLEDT5050G5W](#) [OKLEDT5050RBV](#) [OKLEDT5050RBW](#)  
[OKLEDT5050RPW](#) [OKLEDT5050TAV](#) [OKLEDT5050TAW](#) [OKLEDT5050W6P](#) [OKLEDT5050WAV](#) [OKLEDT5050WAW](#)  
[OKLEDT50606A](#) [OKLEDT50606B](#) [OKLEDT51005A](#) [OKLEDT5100B5](#) [OKLEDT5100G8](#) [OKLEDT5100M3](#) [OKLEDT5100M4](#)  
[OKLEDT5100R6](#) [OKLEDT5100W6](#) [OKLEDT5100WA](#) [OKLEDT5100Y5](#) [OKLEDT51203A](#) [OKLEDT51206A](#) [OKLEDT8050G5V](#)  
[OKLEDT8050G5W](#) [OKLEDT8050M3V](#)