

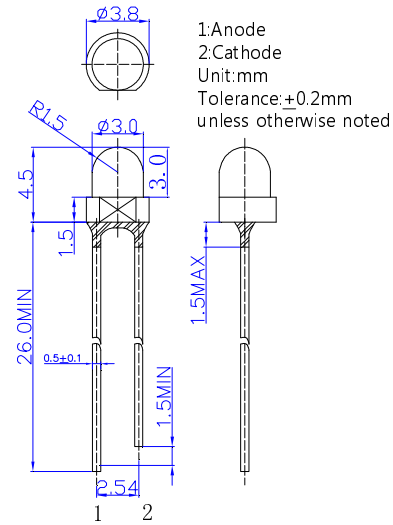
■ Features

- High Luminous LEDs
- 3mm Round Standard Directivity
- UV Resistant Epoxy
- Wide Viewing Angle
- Smooth Light Pattern
- Water Clear Type

■ Applications

- Background illumination
- Communications equipment
- Low power DC circuits
- General lighting purposes

■ Outline Dimension

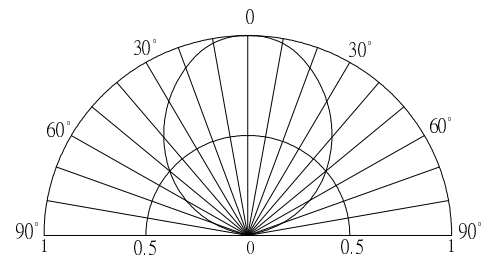


■ Absolute Maximum Rating

(Ta=25°C)

Item	Symbol	Value		Unit
		W/M/B/PG	YG/Y/O/R	
DC Forward Current	IF	30	30	mA
Pulse Forward Current#	IFP	100	100	mA
Reverse Voltage	VR	5	5	V
Power Dissipation	PD	102	78	mW
Operating Temperature	Topr	-30 ~ +85		°C
Storage Temperature	Tstg	-40~ +100		°C
Lead Soldering Temperature	Tsol	260°C/5sec		-

■ Directivity



#Pulse width Max.10ms Duty ratio max 1/10

■ Electrical -Optical Characteristics

(Ta=25°C)

Part Number	Color			VF (V)*1			IR(μA)	Iv(mcd)*2			λD(nm)*3/CCT(K)*4			θ1/2(deg)		
				Min.	Typ.	Max.		Max.	Min.	Typ.	Max.	Min.	Typ.		Max.	Typ.
				IF=20mA				VR=5V	IF=20mA							
OSW5DK3VA1A	White	W		-	2.9	3.4	10	1120	1560	-	8500-18000K(X:0.27,Y:0.28)			100		
OSM5DK3VA1A	Warm White	M	☐	-	2.9	3.4	10	750	1120	-	2700-3200K(X:0.45,Y:0.41)			100		
OSB5SA3VA1A	Blue	B	☐	-	2.9	3.4	10	330	500	-	465	470	475	100		
OSG5DA3VA1A	Pure Green	PG	☐	-	2.9	3.4	10	1120	1560	-	520	525	530	100		
OSG8HA3VA1A	Yellow Green	YG	☐	-	2.1	2.6	10	68	100	-	565	570	575	100		
OSY5PA3VA1A	Yellow	Y	☐	-	2.1	2.6	10	330	500	-	585	590	595	100		
OSO5PA3VA1A	Orange	O	☐	-	2.1	2.6	10	330	500	-	600	605	610	100		
OSR5PA3VA1A	Red	R	☐	-	2.1	2.6	10	330	500	-	620	625	630	100		

*1 Tolerance of measurements of forward voltage is ±0.1V

*2 Tolerance of measurements of luminous intensity is ±15%

*3 Tolerance of measurements of dominant wavelength is ±1nm

*4 Tolerance of measurements of Color Temperature is ±10%

X-ON Electronics

Largest Supplier of Electrical and Electronic Components

Click to view similar products for [Optosupply](#) manufacturer:

Other Similar products are found below :

[OSB5SA5111A-CRLED16](#) [OSB5SA83C1A](#) [OSX10201-YGR1](#) [OS5YKP5111A](#) [OS5YPM8131A](#) [OS5YAA5HA4D-1-ST](#) [OS6OGA5B61P](#)
[OSW5DK5A31A-CRLED18](#) [OSY5PA5A31A-1MA](#) [OSO5JA3FE1B-12V](#) [OKLEDT30606A](#) [OSPT9054X3A](#) [OKLEDT5050RPW](#)
[OSL10564-IB](#) [OSO5PA58A1B-12V](#) [OKLEDT8050G5W](#) [OKLEDT8050RPW](#) [OSGGD251A5A](#) [OKLEDT3050RBW](#) [OSYYP251A5A](#)
[OKLEDT5050B5W](#) [OSB5DA3HA1F](#) [OSYBP2A131A](#) [OKLEDT3050RBV](#) [OKLEDT3050WAW](#) [OSL12306-16-IRA](#) [OSY5MP5A34A-](#)
[6.8HZ](#) [OKLEDT5050RBV](#) [OKLEDT8050RBV](#) [OKLEDT3050RPW](#) [OKLEDT5050WAV](#) [OSWRP23962B](#) [OKLEDT5050TAW](#)
[OKLEDT8050G5V](#) [OKLEDT8050WAW](#) [OSY5MSA131A](#) [OSXD2201-AGA](#) [OKLEDT3050RPV](#) [OKLEDT5050RBW](#) [OSL10601-IRA](#)
[OKLEDT8050RPV](#) [OKLEDT8050TAW](#) [OSL10326-LY](#) [OKLEDT5050WAW](#) [OSCM4TS4C1A](#) [OSM5XAHEE1E](#) [OS6OGA3131P](#)
[OSL10564-IYG](#) [OSO5PA56A1A-CRLED14](#) [OSRGH23NE2A](#)