

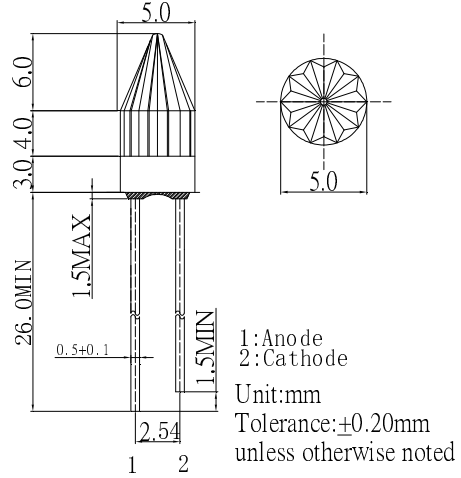
■ Features

- High Luminous LEDs
- 5mm Rocket Standard Directivity
- UV Resistant Epoxy
- Water Clear Type

■ Applications

- Automotive Dashboard Lighting
- Back Lighting
- Other Lighting

■ Outline Dimension

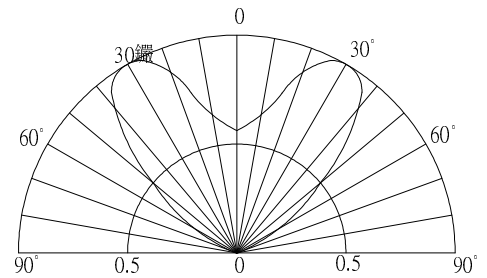


■ Absolute Maximum Rating

(Ta=25°C)

Item	Symbol	Value		Unit
		W/M/K/B/TG	YG/Y/O/R	
DC Forward Current	I _F	30	30	mA
Pulse Forward Current*	I _{FP}	100	100	mA
Reverse Voltage	V _R	5	5	V
Power Dissipation	P _D	102	78	mW
Operating Temperature	Topr	-30 ~ +85		°C
Storage Temperature	Tstg	-40 ~ +100		°C
Lead Soldering Temperature	Tsol	260 °C/5sec		-

■ Directivity



*Pulse width Max.10ms Duty ratio max 1/10

■ Electrical -Optical Characteristics

(Ta=25°C)

Part Number	Color		V _F (V)			I _R (μA)	I _v (mcd)			λD (nm)			θ1/2 (deg)
			Min.	Typ.	Max.		Min.	Typ.	Max.	Min.	Typ.	Max.	
			I _F =20mA				V _R =5V			I _F =20mA			
OSW5DK58A1B	White	W	-	2.9	3.4	10	1560	2180			X=0.27, Y=0.28		100
OSM5DK58A1B	Warm white	M	-	2.9	3.4	10	1120	1560			X=0.45, Y=0.41		100
OSK5DK58A1B	Pink	K5	-	2.9	3.4	10	750	1120			X=0.45, Y=0.17		100
OSB64K58A1B	Ice blue	B6	-	2.9	3.4	10	2180	3000			X=0.19, Y=0.29		100
OSB5SA58A1B	Blue	B	-	2.9	3.4	10	1120	1560		465	465	475	100
OSG5DA58A1B	True green	TG	-	2.9	3.4	10	1560	2180		520	525	530	100
OSY5PA58A1B	Yellow	Y	-	2.1	2.6	10	1120	1560		585	590	595	100
OSO5PA58A1B	Orange	O	-	2.1	2.6	10	1120	1560		600	605	610	100
OSR5PA58A1B	Red	R	-	2.1	2.6	10	1120	1560		620	625	630	100

*1 Tolerance of measurements of chromaticity coordinates is ±10%
 *2 Tolerance of measurements of dominant wavelength is ±1nm
 *3 Tolerance of measurements of luminous intensity is ±15%
 *4 Tolerance of measurements of forward voltage is ±0.1V

X-ON Electronics

Largest Supplier of Electrical and Electronic Components

Click to view similar products for [Standard LEDs - Through Hole category:](#)

Click to view products by [Optosupply manufacturer:](#)

Other Similar products are found below :

[LTL-10234W](#) [LTL-10254W](#) [LTL-1214A](#) [LTL-2231AT](#) [LTL2H3HRKL13](#) [LTL-3251A](#) [LTL-4262N](#) [LTL-5234](#) [LTL87HTBK](#) [LTW-87HD4B](#) [LNX998CKBDA](#) [LP379PPG1C0G0300001](#) [SLR-342DUT32](#) [SLR-342VCTB7](#) [SLR343BCTT32](#) [SLX-LX3044GD](#) [SLX-LX3044ID](#) [SLX-LX3044YD](#) [SSS-LX4673ID-410B](#) [1L0532Y24I0TD001](#) [264-7SYGD/S530-E2](#) [HLMP1385](#) [LTL-10224W](#) [LTL-1224A](#) [LTL-1BEHJ-012](#) [LTL-307YE-012](#) [LU7-E-B](#) [4380H1](#) [TLHY44K1L2](#) [484-10SYGT/S530-E2](#) [339-9SUGSURSUBC/S1182](#) [L53SRC/E-Z](#) [L-7679C1ZGC](#) [4302T1-5V](#) [4306D23](#) [4363D1/5](#) [WP1503SRC/J4](#) [WP153GDT](#) [WP153YDT](#) [WP1543SGC](#) [WP1543SURC](#) [WP7113MBD](#) [WP7113MGC](#) [WP7143SEC/H](#) [Z-221A](#) [ZD0172](#) [SLR-332MCT32](#) [SLR-342DU3F](#) [SLR-56MCT32](#) [NSPL500S-F1F2/RS](#)