

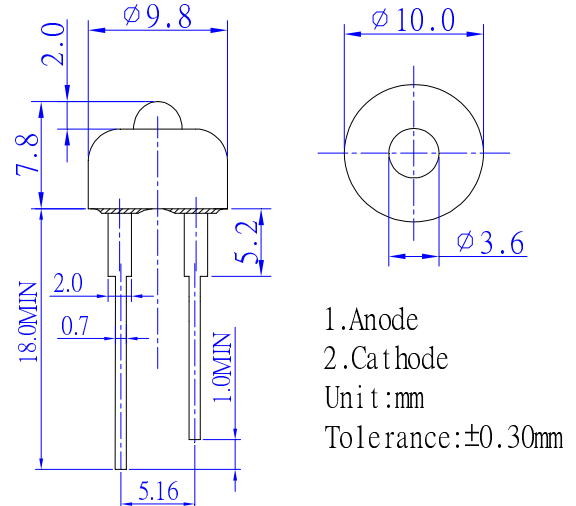
■ Features

- High Lumen Output LEDs
- 10mm Round Standard Directivity
- UV Resistant Epoxy
- Narrow Viewing Angle

■ Applications

- Signage and channel letter
- Decorating and entertainment lighting
- Architectural lighting
- Outdoor/Indoor applications/Other Lighting

■ Outline Dimension

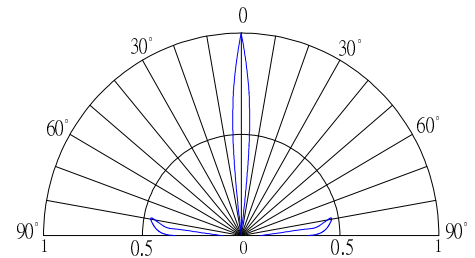


■ Absolute Maximum Rating

(Ta=25°C)





| Item | Symbol | Value | | Unit |
|----------------------------|------------------|------------|-----|------|
| | | B/PG | Y/R | |
| DC Forward Current | I _F | 150 | 150 | mA |
| Pulse Forward Current# | I _{FP} | 200 | 200 | mA |
| Reverse Voltage | V _R | 5 | 5 | V |
| Power Dissipation | P _D | 540 | 390 | mW |
| Operating Temperature | T _{opr} | -30 ~ +85 | | °C |
| Storage Temperature | T _{stg} | -30 ~ +85 | | °C |
| Lead Soldering Temperature | T _{sol} | 260°C/5sec | | - |

■ Directivity



#Pulse width Max.10ms , Duty ratio max 1/10

■ Electrical -Optical Characteristics (Ta=25°C)

| Part Number | Color | | | V _F (V)* | | | I _v (mcd)* | | | λD(nm)* | | | 2θ1/2(deg) |
|-------------|------------|----|---|-----------------------|-------|------|-----------------------|--------|------|---------|------|------|------------|
| | | | | Min. | Type. | Max. | Min. | Typ. | Max. | Min. | Typ. | Max. | Typ. |
| | | | | I _F =120mA | | | I _F =120mA | | | | | | |
| OSB5XAAC11U | Blue | B |  | 3.0 | 3.3 | 3.6 | 60000 | 70000 | - | 465 | 470 | 475 | 12 |
| OSG5XAAC11U | Pure Green | PG |  | 2.8 | 3.3 | 3.6 | 150000 | 200000 | - | 520 | 525 | 530 | 12 |
| OSY5XAAC11U | Yellow | Y |  | 2.0 | 2.3 | 2.6 | 90000 | 120000 | - | 585 | 590 | 595 | 12 |
| OSR5XAAC11U | Red | R |  | 2.0 | 2.3 | 2.6 | 90000 | 120000 | - | 620 | 625 | 630 | 12 |

*1 Tolerance of measurements of dominant wavelength is ±1nm

*2 Tolerance of measurements of luminous intensity is ±15%

*3 Tolerance of measurements of forward voltage is ±0.1V

X-ON Electronics

Largest Supplier of Electrical and Electronic Components

Click to view similar products for [Standard LEDs - Through Hole category:](#)

Click to view products by [Optosupply manufacturer:](#)

Other Similar products are found below :

[LTL-10234W](#) [LTL-10254W](#) [LTL-1214A](#) [LTL-2231AT](#) [LTL2H3HRKL13](#) [LTL-3251A](#) [LTL-4262N](#) [LTL-5234](#) [LTL87HTBK](#) [LTW-87HD4B](#) [LNX998CKBDA](#) [LP379PPG1C0G0300001](#) [SLR-342DUT32](#) [SLR-342VCTB7](#) [SLR343BCTT32](#) [SLX-LX3044GD](#) [SLX-LX3044ID](#) [SLX-LX3044YD](#) [SSS-LX4673ID-410B](#) [1L0532Y24I0TD001](#) [264-7SYGD/S530-E2](#) [HLMP1385](#) [LTL-10224W](#) [LTL-1224A](#) [LTL-1BEHJ-012](#) [LTL-307YE-012](#) [LTL-4231N-0L1](#) [LU7-E-B](#) [4380H1](#) [TLHY44K1L2](#) [339-9SUGSURSUBC/S1182](#) [L53SRC/E-Z](#) [L-7679C1ZGC](#) [4302T1-5V](#) [4306D23](#) [4363D1/5](#) [WP1503SRC/J4](#) [WP153GDT](#) [WP153YDT](#) [WP1543SGC](#) [WP1543SURC](#) [WP7113MBD](#) [WP7113MGC](#) [WP7143SEC/H](#) [Z-221A](#) [ZD0172](#) [SLR-332MCT32](#) [SLR-342DU3F](#) [SLR-56MCT32](#) [NSPL500S-F1F2/RS](#)