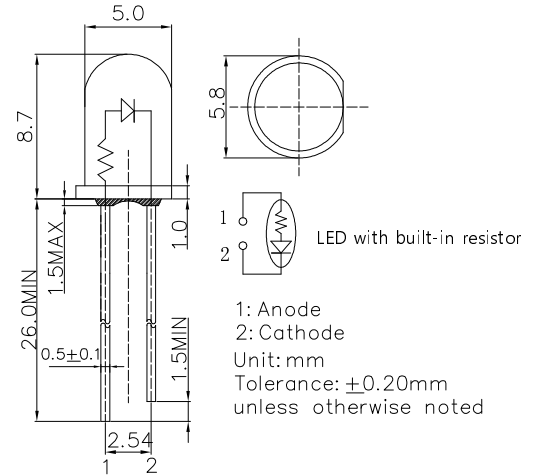


**■Description**

This LED builds with internal resistor to operate with wide operation voltage of DC3-15V.

**■Outline Dimension**



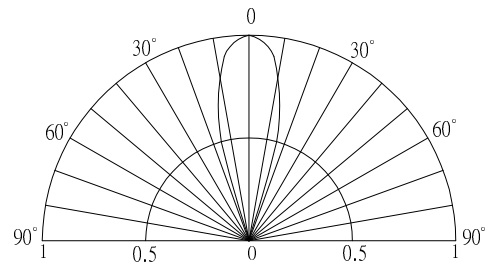
**■Features**

- Wide Input Voltage
- Cost Saving and Space Saving
- Color Transparent Type
- Single Color

**■Applications**

- Toys/Game/Audio
- TTL/Cmos Compatible
- Arduino/Pi Pico/Steam Kit
- Other Electronics Products

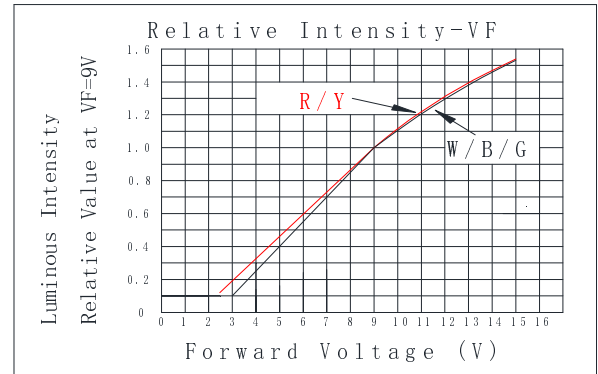
**■Directivity**



**■Absolute Maximum Rating (Ta=25°C)**

| Item                       | Symbol    | Value      | Unit |
|----------------------------|-----------|------------|------|
| DC Forward Voltage         | $V_F$     | 15         | V    |
| Reverse Voltage            | $V_R$     | 12         | V    |
| Power Dissipation          | $P_D$     | 190        | mW   |
| Operating Temperature      | $T_{opr}$ | -30 ~ +85  | °C   |
| Storage Temperature        | $T_{stg}$ | -40~ +100  | °C   |
| Lead Soldering Temperature | $T_{sol}$ | 260°C/5sec | -    |

**■Optical Characteristic Curves**



**■Electrical -Optical Characteristics (Ta=25°C)**

| 5mm Multi-Voltage LED                   |                 |                    |                  |                   |              |              |
|---|-----------------|--------------------|------------------|-------------------|--------------|--------------|
| <b>LED P/N</b>                          | OSR55133A-VV    | OSY55133A-VV       | OSB55133A-VV     | OSG55133A-VV      | OSM55131A-VV | OSW55131A-VV |
| <b>Light Color</b>                      | Red             | Yellow             | Blue             | Pure Green        | Warm White   | Cool White   |
| <b>Lens Color</b>                       | Red Transparent | Yellow Transparent | Blue Transparent | Green Transparent | Water Clear  | Water Clear  |
| <b>Wavelength*1/Color Temperature*2</b> | 620-630nm       | 585-595nm          | 465-475m         | 520-530nm         | 2700-3300K   | 8500-18000K  |
| <b>Luminous Intensity(typ.)*3</b>       | 3000mcd         | 3000mcd            | 2180mcd          | 5800mcd           | 5800mcd      | 5800mcd      |
| <b>Forward Voltage(typ.)</b>            | 9V              | 9V                 | 9V               | 9V                | 9V           | 9V           |
| <b>Forward Current(typ.)</b>            | 8mA             | 8mA                | 7.5mA            | 7.5mA             | 7.5mA        | 7.5mA        |
| <b>Viewing Angle(typ.)</b>              | 30°             | 30°                | 30°              | 30°               | 30°          | 30°          |

\*1 Tolerance of measurements of dominant wavelength is  $\pm 1\text{nm}$

\*2 Tolerance of measurements of color temperature is  $\pm 10\%$

\*3 Tolerance of measurements of luminous intensity is  $\pm 15\%$

## X-ON Electronics

Largest Supplier of Electrical and Electronic Components

*Click to view similar products for [Optosupply](#) manufacturer:*

Other Similar products are found below :

[OECCDD01-300](#) [OEHW2030GF](#) [OEHW2045GF](#) [OEHW2060GF](#) [OEHW2090GF](#) [OKLEDT3050G5V](#) [OKLEDT3050RBV](#)  
[OKLEDT3050RBW](#) [OKLEDT3050RPV](#) [OKLEDT3050RPW](#) [OKLEDT3050WAW](#) [OKLEDT30606A](#) [OKLEDT3100B5](#) [OKLEDT3100G8](#)  
[OKLEDT3100M3](#) [OKLEDT3100M4](#) [OKLEDT3100R6](#) [OKLEDT3100W6](#) [OKLEDT3100Y5](#) [OKLEDT31203A](#) [OKLEDT31206A](#)  
[OKLEDT5050B5W](#) [OKLEDT5050G5W](#) [OKLEDT5050RBV](#) [OKLEDT5050RBW](#) [OKLEDT5050RPW](#) [OKLEDT5050TAW](#)  
[OKLEDT5050WAV](#) [OKLEDT50606A](#) [OKLEDT50606B](#) [OKLEDT5100B5](#) [OKLEDT5100G8](#) [OKLEDT5100M3](#) [OKLEDT5100R6](#)  
[OKLEDT5100W6](#) [OKLEDT5100WA](#) [OKLEDT5100Y5](#) [OKLEDT51203A](#) [OKLEDT8050G5V](#) [OKLEDT8050G5W](#) [OKLEDT8050M3V](#)  
[OKLEDT8050R5V](#) [OKLEDT8050RBV](#) [OKLEDT8050RPW](#) [OKLEDT8050WAW](#) [OPDK-G5DA8B31F](#) [OPDK-W5DK8B31F](#) [OPDK-](#)  
[Y5CA8B31F](#) [OPDO-M5DK8B31F](#) [OS2MDK3131A](#)