

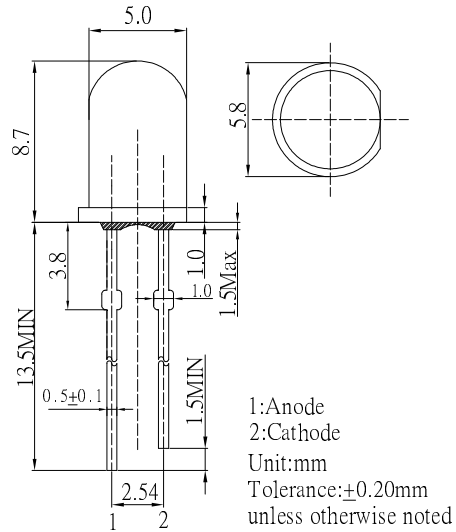
■ Features

- High Luminous LEDs
- 5mm Round Standard Directivity
- UV Resistant Epoxy
- Fewer Color Diffused Type

■ Applications

- Electronic Signs And Signals
- Small Area Illuminations
- Back Lighting
- Other Lighting

■ Outline Dimension

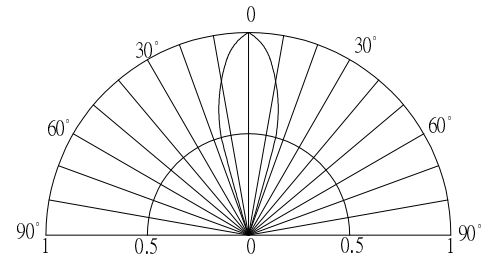


■ Absolute Maximum Rating

(Ta=25°C)

Item	Symbol	Value	Unit
DC Forward Current	I _F	30	mA
Pulse Forward Current#	I _{FP}	100	mA
Reverse Voltage	V _R	5	V
Power Dissipation	P _D	104	mW
Operating Temperature	T _{opr}	-30 ~ +85	°C
Storage Temperature	T _{stg}	-40 ~ +100	°C
Lead Soldering Temperature	T _{sol}	260 °C/ 5sec	-

■ Directivity



#Pulse width Max.10ms Duty ratio max 1/10

■ Electrical -Optical Characteristics

(Ta=25°C)

Item	Symbol	Condition	Min.	Typ.	Max.	Unit
DC Forward Voltage*	V _F	I _F =20mA	2.7	3.0	3.4	V
DC Reverse Current	I _R	V _R =5V	-	-	10	μA
Domi. Wavelength*	λ _D	I _F =20mA	520	525	530	nm
Luminous Intensity*	I _v	I _F =20mA	6600	8000	-	mcd
50% Power Angle	2θ _{1/2}	I _F =20mA	-	30	-	deg

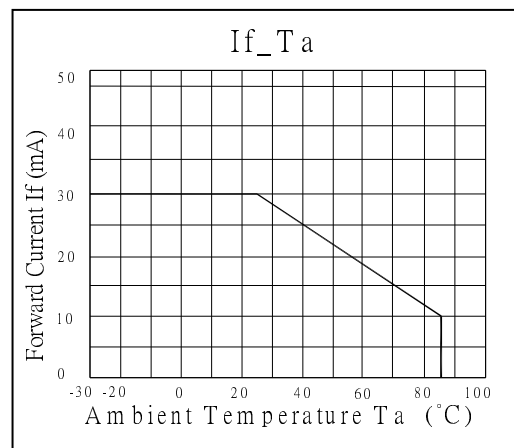
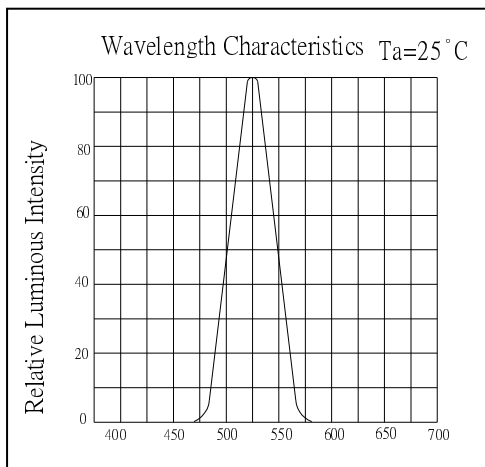
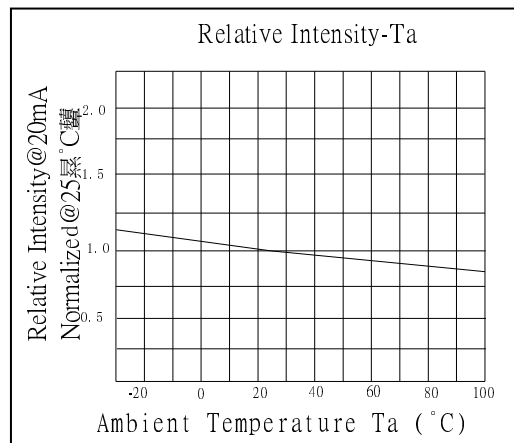
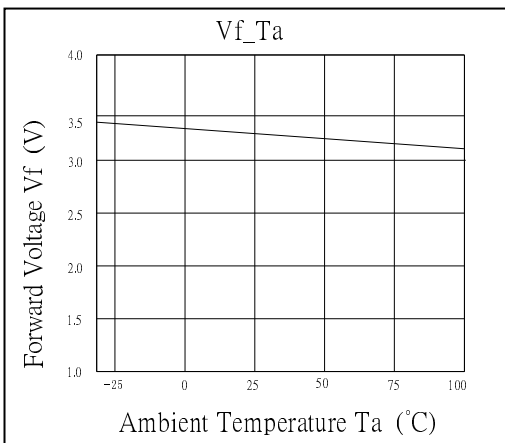
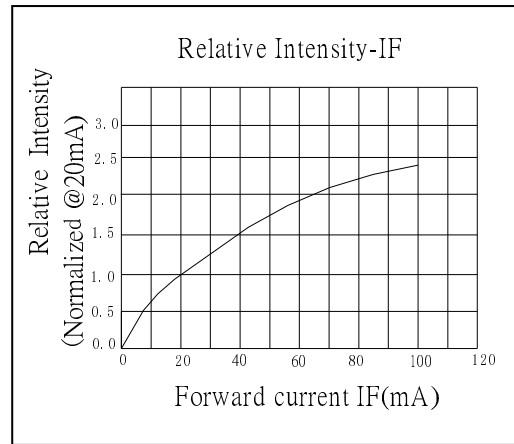
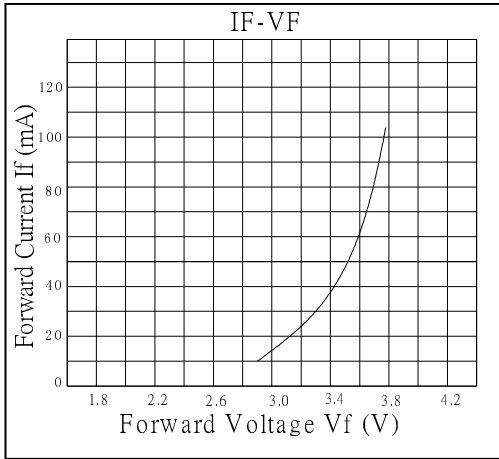
*1 Tolerance of measurements of dominant wavelength is ±1nm

*2 Tolerance of measurements of luminous intensity is ±15%

*3 Tolerance of measurements of forward voltage is ±0.1V

InGaN LED

TYPICAL ELECTRICAL/OPTICAL CHARACTERISTIC CURVES



RELIABILITY TEST REPORT

CLASSIFICATION	TEST ITEM	TEST CONDITON
ENDURANCE TEST	ROOM TEMPERATURE OPERATION LIFE	If: 20mA Ta:25±5 °C TEST TIME=1000HRS
	HIGH TEMPERTURE HIGH HUMIDITY STORAGE	R.H:90~95% Ta:65±5°C TEST TIME=240HRS(+2HRS)
	HIGH TEMPERTURE STORAGE	Ta:100°C TEST TIME=500HRS(-24HRS,+48HRS)
	LOW TEMPERTURE STORAGE	Ta:-40°C TEST TIME=500HRS(-24HRS,+48HRS)
	ENVIRONMENTAL TEST	TEMPERTURE CYCLING
ENVIRONMENTAL TEST	RESISTANCE TO SOLDERING HEAT	Ta:260±5°C TEST TIME=10±1sec
	SOLDERABILITY	Ta:245±5°C TEST TIME=5±1sec

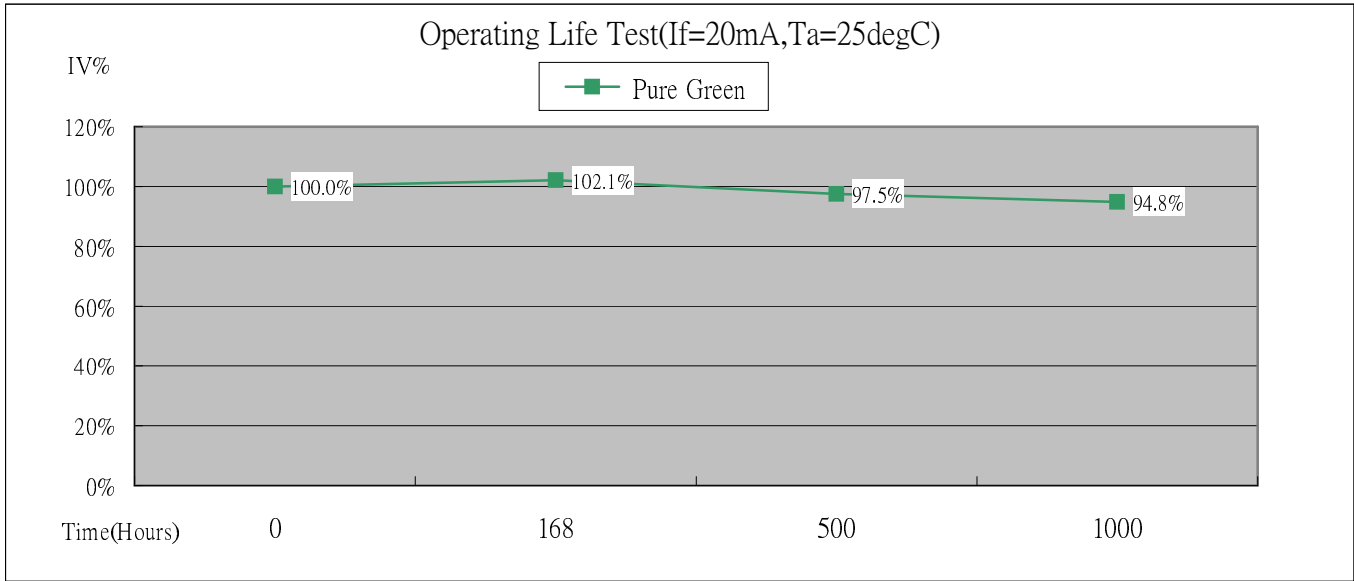
JUDGMENT CRITERIA OF FAILURE FOR THE RELIABILITY

MEASURING ITME	SYMBOL	CONDITIONS	FAILURE CRITERIA
LUMINOUS INTENSITY	IV	IF=20mA	IV<0.5*L.S.L
FORWARD VOLTAGE	VF	IF=20mA	VF>1.2*U.S.L
REVERSE CURRENT	IR	Vr=5V	IR>2*U.S.L
SOLDERABILITY	-	-	LESS THAN 95% SOLDER COVERAGE

U.S.L : Upper Specification Limit

L.S.L : Lower Specification Limit

OPERATION LIFE TEST LUMINANCE RATE CURVE



- *Burn-in condition: 20mA
- *Projection of Statistical Average Light Output Degradation Performance for LED Technology
Extrapolated from OptoSupply QA Dept. Test Data.
- *According to OptoSupply outgoing Packaged Products Specification
- *MTBF:50,000hrs, 90% Confidence (A Failure is Any LED Which is Open, shorted or fails to Emit Light)
- *The Projected Data is Base on The Feature of LED Itself Under Normal Operation Conditions.
- *Any Improper Circuit Design or External Factors Might Cause a Different Result.

LAMP APPLICATION (PB FREE SOLDERJING)

Apply to LAMP (DIP) SERIES.

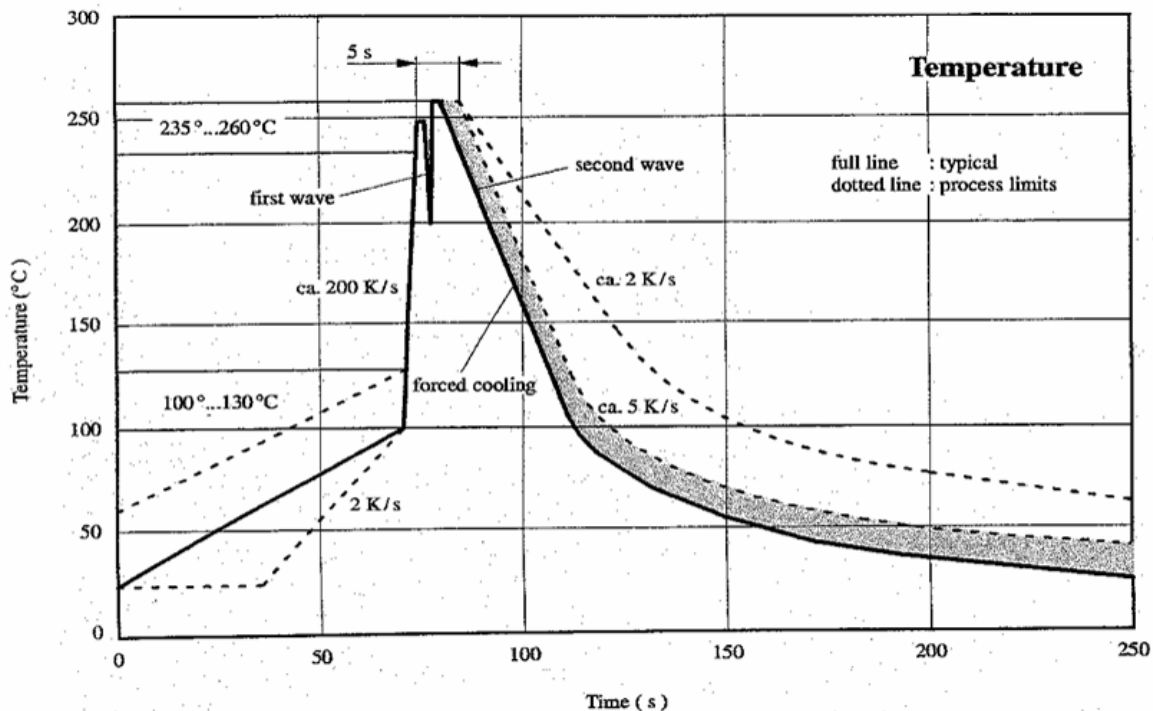
Description:

(1) Manual soldering (Solder Iron)

- (1.1) Temperature at tip of the iron: 350°C Max.
- (1.2) It's banned to load any stress on the resin during soldering.
- (1.3) Soldering time: 3sec. Max. (one time only.)
- (1.4) Leave 3mm of minimum distance from the base of the epoxy.

(2) Dip Soldering (Wave Soldering-Solder Bath)

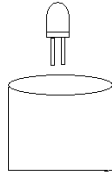
- (2.1) Leave 3mm of minimum distance from the base of the epoxy.
Soldering beyond the base of the tie bar (stand off) is recommended.
- (2.2) When soldering, do not put stress on the LEDs during heating.
- (2.3) Cutting the lead frames at high temperatures may cause LED failure.
- (2.4) Never take next process until the component is cooled down to room temperature after reflow.
- (2.5) After soldering, do not warp the circuit board.
- (2.6) The recommended dip soldering profile is the following.



Wave soldering of double wave optodevices

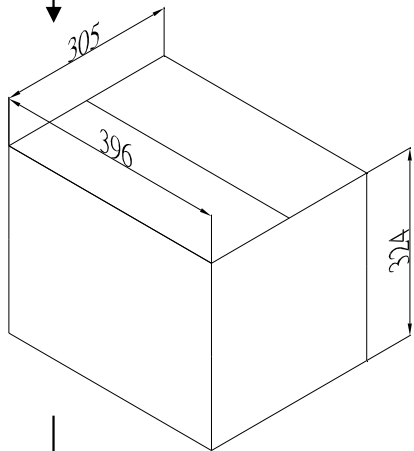
LAMP PACKING

500pcs/Bag

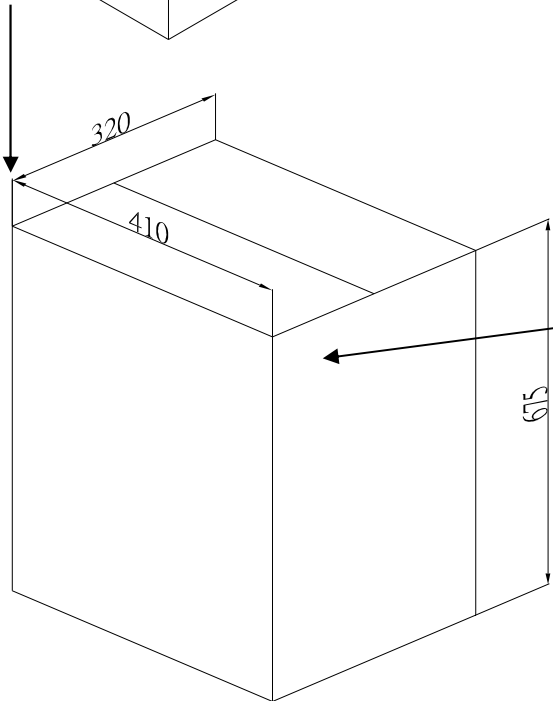


LED LAMPS	
PART NO:	_____
LOT NO:	_____
IV:	_____
VF:	_____
COLOR:	_____
QTY:	_____
QC:	_____

BOX
Dimension (mm)
396*305*324
40Bags/Box



Carton
Dimension (mm)
675*410*320
2Boxes/Carton



LED LAMPS	
PART NO:	_____
LOT NO:	_____
IV:	_____
VF:	_____
COLOR:	_____
QTY:	_____
QC:	_____

X-ON Electronics

Largest Supplier of Electrical and Electronic Components

Click to view similar products for [Optosupply](#) manufacturer:

Other Similar products are found below :

[OECCDD01-300](#) [OEHW2030GF](#) [OEHW2045GF](#) [OEHW2060GF](#) [OEHW2090GF](#) [OKLEDT3050G5V](#) [OKLEDT3050RBV](#)
[OKLEDT3050RBW](#) [OKLEDT3050RPV](#) [OKLEDT3050RPW](#) [OKLEDT3050WAW](#) [OKLEDT30606A](#) [OKLEDT3100B5](#) [OKLEDT3100G8](#)
[OKLEDT3100M3](#) [OKLEDT3100M4](#) [OKLEDT3100R6](#) [OKLEDT3100W6](#) [OKLEDT3100Y5](#) [OKLEDT31203A](#) [OKLEDT31206A](#)
[OKLEDT5050B5W](#) [OKLEDT5050G5W](#) [OKLEDT5050RBV](#) [OKLEDT5050RBW](#) [OKLEDT5050RPW](#) [OKLEDT5050TAW](#)
[OKLEDT5050WAV](#) [OKLEDT50606A](#) [OKLEDT50606B](#) [OKLEDT5100B5](#) [OKLEDT5100G8](#) [OKLEDT5100M3](#) [OKLEDT5100R6](#)
[OKLEDT5100W6](#) [OKLEDT5100WA](#) [OKLEDT5100Y5](#) [OKLEDT51203A](#) [OKLEDT8050G5V](#) [OKLEDT8050G5W](#) [OKLEDT8050M3V](#)
[OKLEDT8050R5V](#) [OKLEDT8050RBV](#) [OKLEDT8050RPW](#) [OKLEDT8050WAW](#) [OPDK-G5DA8B31F](#) [OPDK-W5DK8B31F](#) [OPDK-](#)
[Y5CA8B31F](#) [OPDO-M5DK8B31F](#) [OS2MDK3131A](#)