

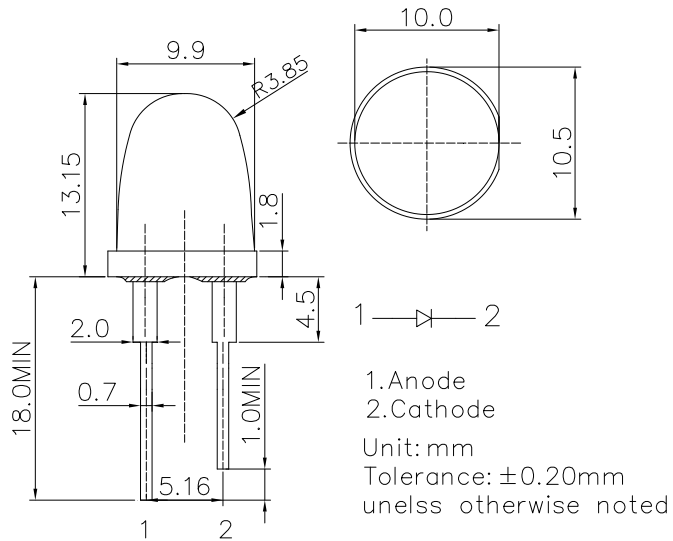
■Features

- High Radiant Power
- 10mm Bullet Standard Directivity
- UV Resistant Epoxy
- Water Clear Type

■Applications

- IrDA
- Encoder
- Data Communication

■Outline Dimension



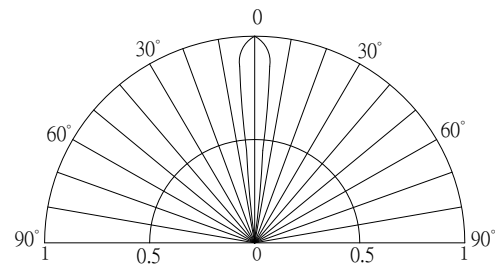
■Absolute Maximum Rating

($T_a=25^\circ\text{C}$)

| Item | Symbol | Value | Unit |
|----------------------------|-----------|----------------------------------|------------------|
| DC Forward Current | I_F | 400 | mA |
| Pulse Forward Current# | I_{FP} | 1750 | mA |
| Reverse Voltage | V_R | 5 | V |
| Power Dissipation | P_D | 0.84 | mW |
| Operating Temperature | T_{opr} | -30 ~ +85 | $^\circ\text{C}$ |
| Storage Temperature | T_{stg} | -40 ~ +100 | $^\circ\text{C}$ |
| Lead Soldering Temperature | T_{sol} | 260 $^\circ\text{C}/5\text{sec}$ | - |

#Pulse Width $\leq 100\mu\text{s}$, Duty $\leq 1/100$

■Directivity



■Electrical –Optical Characteristics

($T_a=25^\circ\text{C}$)

| Item | Symbo | Condition | Min. | Typ. | Max. | Unit |
|----------------------|-----------------|--------------------|------|------|------|---------------|
| DC Forward Voltage*1 | V_F | $I_F=350\text{mA}$ | - | 1.8 | 2.1 | V |
| DC Reverse Current | I_R | $V_R=5\text{V}$ | - | - | 10 | μA |
| Peak Wavelength*2 | λ_p | $I_F=350\text{mA}$ | - | 850 | - | nm |
| Radiant Power*3 | P_o | $I_F=350\text{mA}$ | 165 | 180 | - | mW |
| Radiant Intensity*4 | E_e | $I_F=350\text{mA}$ | 1800 | 2000 | - | mW/Sr |
| 50% Power Angle | $2\theta_{1/2}$ | $I_F=350\text{mA}$ | - | 15 | - | deg |

*1 Tolerance of measurements of forward voltage is $\pm 0.1\text{V}$

*2 Tolerance of measurements of peak wavelength is $+1\text{nm}$

*3 Tolerance of measurements of Radiant Power is $\pm 15\%$

*4 Tolerance of measurements of radiant intensity is $\pm 15\%$

X-ON Electronics

Largest Supplier of Electrical and Electronic Components

Click to view similar products for [Infrared Emitters](#) category:

Click to view products by [Optosupply](#) manufacturer:

Other Similar products are found below :

[LTE-3279K](#) [LTE-4208C](#) [EAILP03RDAA6](#) [LTE-2871C](#) [LTE-4238](#) [ASDL-4264-C22](#) [IR11-21CTR8](#) [OP216-004](#) [LTE-3376](#) [OSIXCA5B41A](#)
[OSI5120631F](#) [IR234C](#) [LTE-C195IRG](#) [ZSIR-3210C-15A-C3](#) [ZSIR-3020C-23A-Z6](#) [IR333C-A\(BY\)\(P\)](#) [IR19-21C/TR8\(BY\)](#) [HIR26-](#)
[21C/L423/CT\(XY\)](#) [IR928-6C/F1\(6-1\)](#) [IR423C/L10/F393\(AMZ\)\(PF\)](#) [EAISV3027A0](#) [HIR26-81B/L423/2T](#) [IR908-7C\(E5\)](#) [IR204-A-L\(BY\)\(M\)](#)
[IR333C-A\(BY\)\(Q\)](#) [IR928-6C\(X8-X12\)\(XBY\)](#) [IR968-8C\(6-2\)](#) [IR204C-A-L\(BY\)\(M\)](#) [IR968-8C\(6-1\)](#) [XYC-HIR76C-LX0](#) [XYC-IRA3020A65-](#)
[SX4](#) [XYC-HIR76C-LX4](#) [XYC-IRA3020A65-SX1](#) [DY-IRS302320C/6.5T](#) [DY-PTS3020268B-6.5TC](#) [DY-IR-8S302320C-6.5T](#) [DY-IR928-6C](#)
[XL-504IRC-940](#) [XL-SD3036HIR-T202](#) [IR12-21C/TR8\(PF\)](#) [NCD3012I1](#) [NCD1005I1](#) [XYC-IR26C-LX4](#) [XYC-IR204C-L4](#) [XYC-IRC18C-24](#)
[XYC-IR76C30-LX4](#) [XYC-IRA0805AC-S4](#) [XYC-HIRWC18C-Z2](#) [XYC-IRP0603AC-A2](#) [XYC-IRA2835A90-X4](#)