

■ **Features**

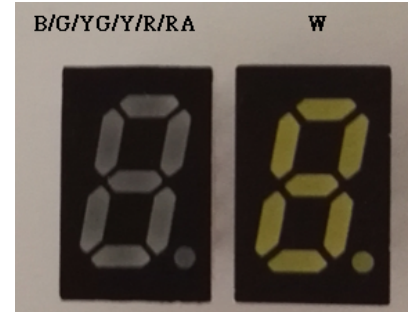
- 0.32 Inch Single Digit Display
- Long lifetime operation
- IC compatible
- Low power dissipation
- **Number of pins :10**

■ **Applications**

- Counting device
- Clock

■ **Absolute Maximum Rating** (Ta=25°C)

■ **Photo**



Item	Symbol	Value		Unit
		RA/R/YG/Y	B/G	
DC Forward Current	I _F	20	20	mA
Pulse Forward Current*	I _{FP}	100	100	mA
Reverse Voltage	V _R	5	5	V
Power Dissipation	P _t	44	66	mW
Operating Temperature	Topr	-30 ~ +70		°C
Storage Temperature	Tstg	-40~ +85		°C
Lead Soldering Temperature(1.6mm from seating plane)	Tsol	260°C/5sec		°C

*Pulse width Max.10ms Duty ratio max 1/10

■ **Electrical -Optical Characteristics** (Ta=25°C)

Part Number	Color		V _F (V)			I _R (μA)	I _v (mcd)			λD(nm)			
			Min.	Typ.	Max.	Max.	Min.	Typ.	Max.	Min.	Typ.	Max.	
			I _F =20mA			V _R =5V	I _F =20mA						
OSL10326-IW(LW)	White	W		3.1	3.6	20	-	65	-	X:0.27 Y:0.28			
OSL10326-IB(LB)	Blue	B	■	-	3.1	3.6	20	-	50	-	460	465	475
OSL10326-IG(LG)	Pure Green	G	■	-	3.1	3.6	20	-	200	-	515	525	530
OSL10326-IYG(LYG)	Yellow Green	YG	■	-	2.2	2.6	20	-	12	-	565	571	575
OSL10326-IY(LY)	Yellow	Y	■	-	2.1	2.5	20	-	60	-	585	590	595
OSL10326-IR(LR)	Red	R	■	-	2.1	2.5	20	-	26	-	625	630	640
OSL10326-IRA(LRA)	High Luminance Red	RA	■	-	2.1	2.5	20	-	100	-	620	625	630

*1 Tolerance of measurements of chromaticity coordinates is ±10%

*2 Tolerance of measurements of dominant wavelength is ±1nm

*3 Tolerance of measurements of luminous intensity is ±15%

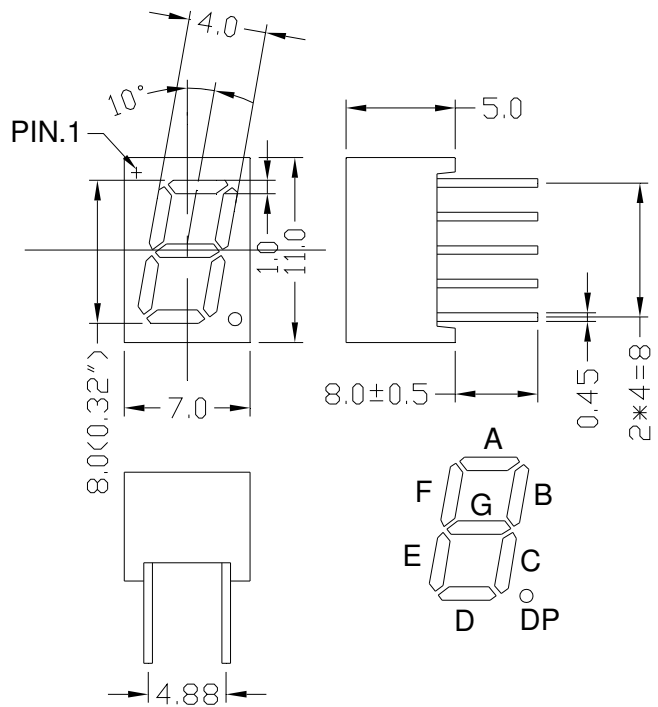
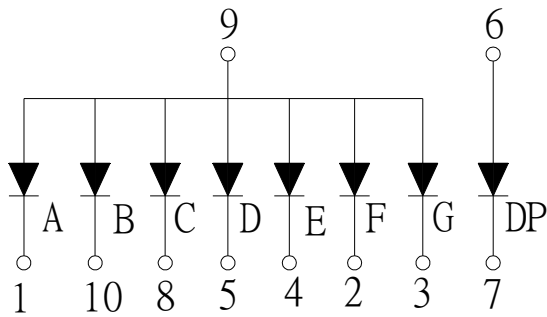
*4 Tolerance of measurements of forward voltage is ±0.1V

0.32 Inch Single Digit Display
OSL10326-IX (Common Anode type)
OSL10326-LX (Common Cathode type)
VER A.1.1

Package Dimensions and Pin Function

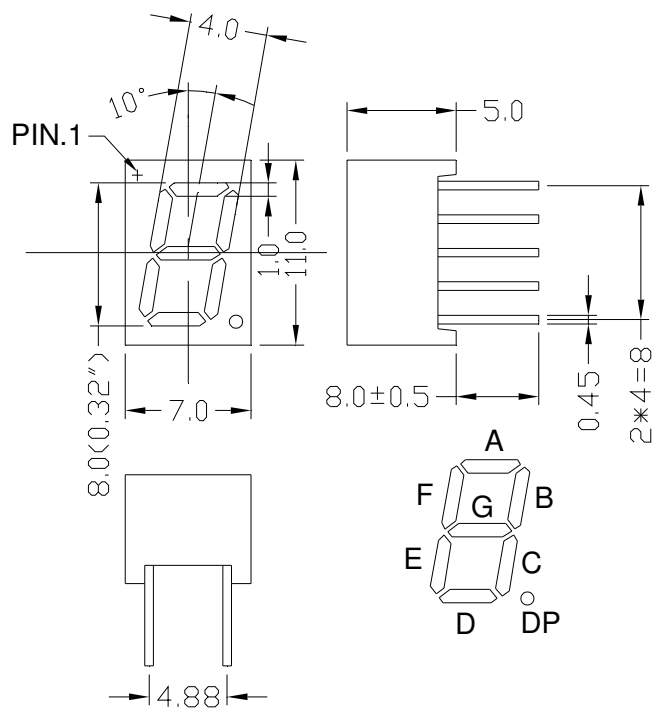
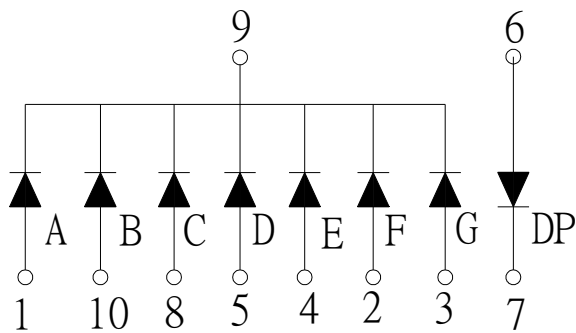
**OSL10326-IX
(Common Anode type)**

Note:
1, Unit : mm(Tolerance:±0.25mm unless otherwise noted)
2, The slope angle of any PIN may be±5.0°Max



**OSL10326-LX
(Common Cathode type)**

Note:
1, Unit : mm(Tolerance:±0.25mm unless otherwise noted)
2, The slope angle of any PIN may be±5.0°Max



X-ON Electronics

Largest Supplier of Electrical and Electronic Components

Click to view similar products for [LED Displays & Accessories](#) category:

Click to view products by [Optosupply](#) manufacturer:

Other Similar products are found below :

[LTC-2721WC](#) [LTC-4627G](#) [LTC-4627WC](#) [LTD-5021AWC](#) [LTM-8522G](#) [LTS-3361JG-06](#) [ELS-316SYGWA/S530-E2](#) [1668](#) [HT-F196NB-5323](#) [SA03-12EWA](#) [LDQ-N514RI](#) [LDS-A3506RD](#) [SI-B9T151550WW](#) [SI-B9V171550WW](#) [SLC-3PF-WL](#) [1624](#) [LTC-2621JD](#) [LTC-2623WC](#) [LTC-4624P](#) [LTC-4627JD](#) [LTP-1057AHR](#) [LTP-1457AKR](#) [LTP-3784G-01](#) [LTS-4812SKR-P](#) [LTS-6780P](#) [HV-7W30-6829](#) [CA12240_MINNIE-WWW-MTG-ASSY](#) [DA43-11GWA](#) [LDQ-N3402RI](#) [LDQ-N3606RI](#) [LDS-A3924RI-SI](#) [86004CB830](#) [LTP-3862JD](#) [LTP-2088AKD](#) [LTD-6740P](#) [LTC-4727E](#) [LTS-312AY](#) [LTC-2623E](#) [CC25-12YWA](#) [EADSF056RA1](#) [OPS-S3911LY-GW](#) [LDF-U8004BI](#) [SLCN-42M-G](#) [SLCN-42M-W](#) [LTC-3710G](#) [LTS-4801KF](#) [ACSA04-41QWWA/D](#) [OPS-S5620SB-GW](#) [OSL10396-LW](#) [HCMS-3974](#)